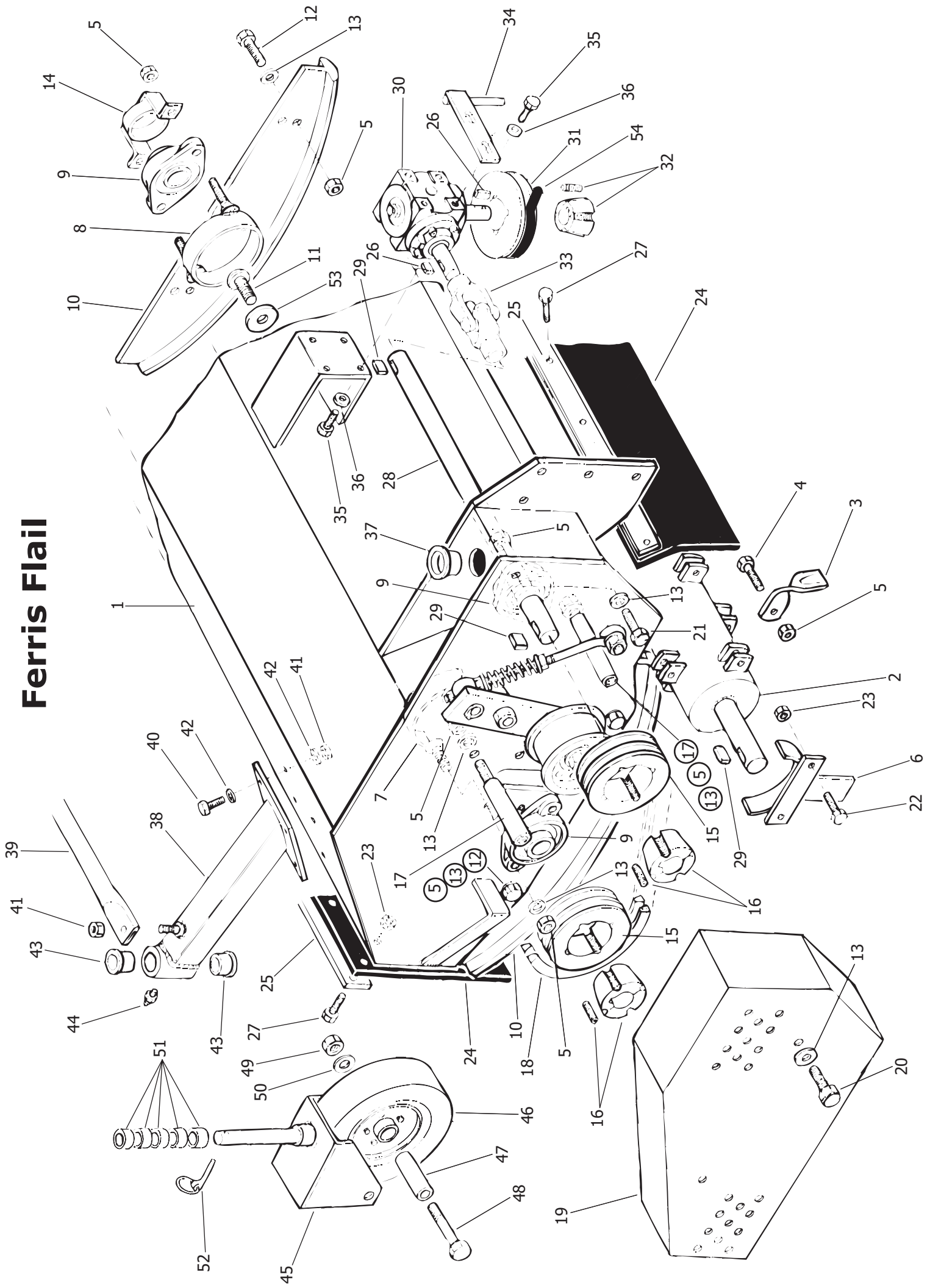

Parts Manual



36" & 48" Flails



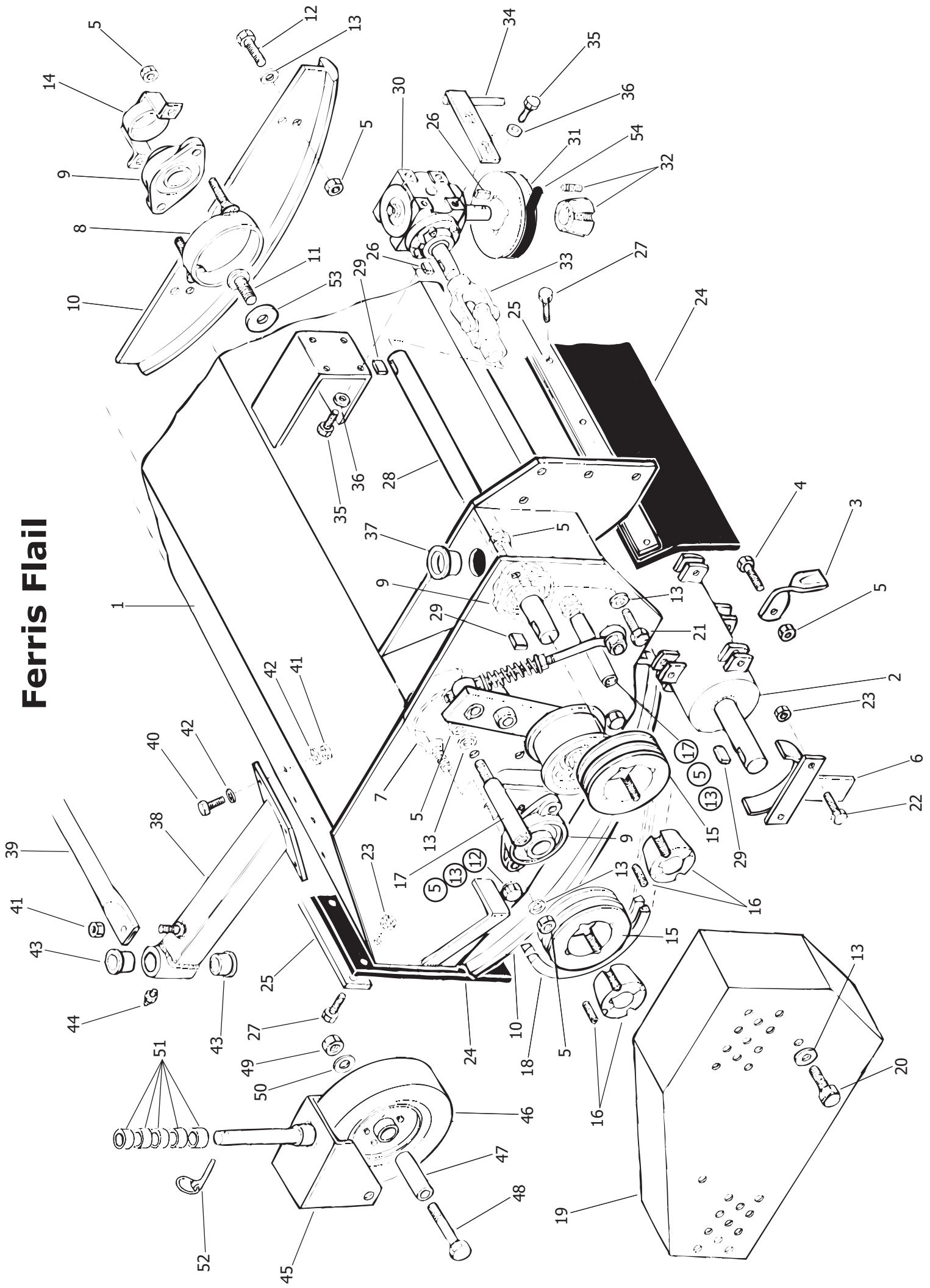
Ferris Flail



FERRIS 36" Flail

| Item No | Part Number | Description | Qty |
|---------|-------------|-------------------------------------|-----|
| 1 | IF36001 | Main hood | 1 |
| 2 | IF36002 | 36" Rotor c/w blades | 1 |
| 3 | 6046 | J Shaped blade | 24 |
| 4 | SET1035 | M10 x 35 HT set | 24 |
| 5 | NUTNYP10 | M10 Nyloc nut | 24 |
| 6 | IFS008 | Drive end filler | 1 |
| 7 | IFS010 | Drive end filler rotor cover | 1 |
| 8 | IFS011 | Non drive end rotor cover | 1 |
| 9 | B2F25 | Flanged bearing housing c/w bearing | 3 |
| 10 | IFS009 | Skid | 2 |
| 11 | SBUT1225 | M12 x 25 Button socket cap screw | 1 |
| 12 | SET1025 | M10 x 25 HT set | 4 |
| 13 | WSHP010 | M10 flat washer | 4 |
| 14 | IFS014 | Rotor shaft guard | 1 |
| 15 | DP2A90 | SPA090/2 Twin pulley | 2 |
| 16 | DC161025 | 25mm 1610 Centre | 2 |
| 17 | IFS039 | End guard pins | 2 |
| 18 | DBV36AX | AX36 V belt | 2 |
| 19 | IFS005 | End drive guard | 1 |
| 20 | SET1020 | M10 x 20 HT set | 2 |
| 21 | SET1035 | M10 x 35 HT set | 2 |
| 22 | SET0620 | M6 x 20 HT set | 2 |
| 23 | NUTNYP06 | M6 Nyloc nut | 2 |
| 24 | RB150900 | 150 x 900 x 6 Rubber flap | 2 |
| 25 | IF36006 | Flap retainer | 2 |
| 26 | DK060630 | M6 x 30 Parallel key | 2 |
| 27 | SET0625 | M6 x 25 HT set | 14 |
| 28 | IF36032 | Gearbox shaft | 1 |
| 29 | DK080825 | M8 x 25 Parallel key | 1 |
| 30 | W090 | Gearbox c/w 31 & 32 | 1 |
| 31 | 892-6477 | SPB12 Step pulley | 1 |
| 32 | DC161020 | 20mm 1610 centre | 1 |
| 33 | DUJ2520 | 25/20 Universal joint | 1 |
| 34 | IFS089 | Belt guide | 1 |

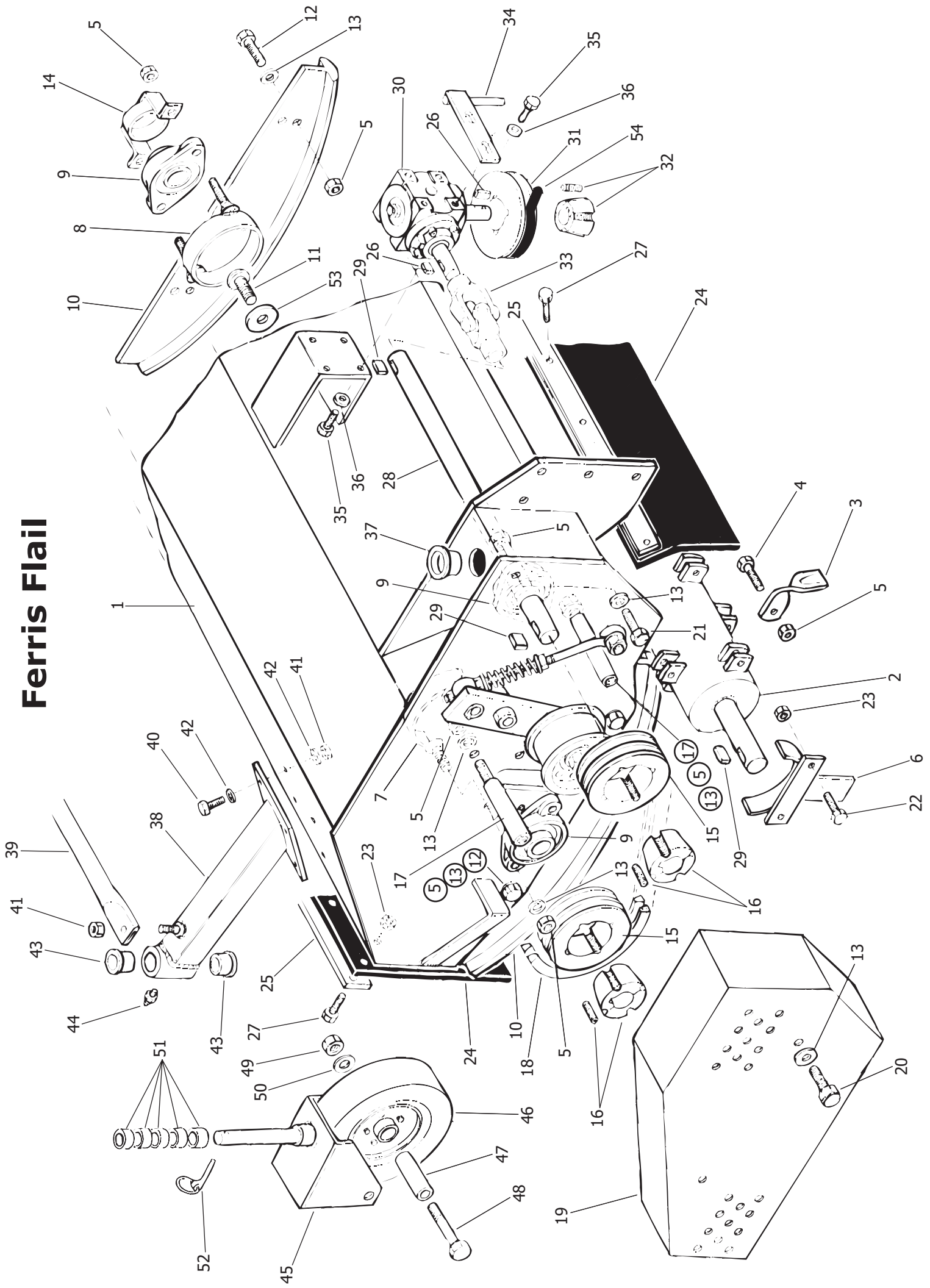
Ferris Flail



FERRIS 36" Flail

| Item No | Part Number | Description | Qty |
|---------|-------------|-----------------------------|-----|
| 35 | SET0820 | M8 x 20 HT set | 2 |
| 36 | WSHP008 | M8 flat washer | 2 |
| 37 | PC40R | 40mm Plastic grommet | 1 |
| 38 | IFS003 | Caster leg | 2 |
| 39 | IF36007 | Safety rail | 1 |
| 40 | SET0830 | M8 x 30 HT set | 8 |
| 41 | NUTNYP08 | M8 Nyloc nut | 8 |
| 42 | WSHP008 | M8 flat washer | 8 |
| 43 | 21541 | Caster arm bush | 4 |
| 44 | GNS0601 | M6 Grease nipple - straight | 2 |
| 45 | 41702 | Caster yoke | 2 |
| 46 | 21181 | Caster wheel assembly | 2 |
| 47 | 41657 | Wheel sleeve | 2 |
| 48 | 25017-44 | ½" UNC x 5½" HT bolt | 2 |
| 49 | NUTPL105" | ½" UNC nyloc nut | 2 |
| 50 | WSHP012 | M12 flat washer | 2 |
| 51 | 41476 | Caster wheel spacers | 10 |
| 52 | 20655 | Lynch pin | 2 |
| 53 | WSHP1/2" | ½" Flat washer | 1 |
| 54 | B55 | Drive belt | 1 |

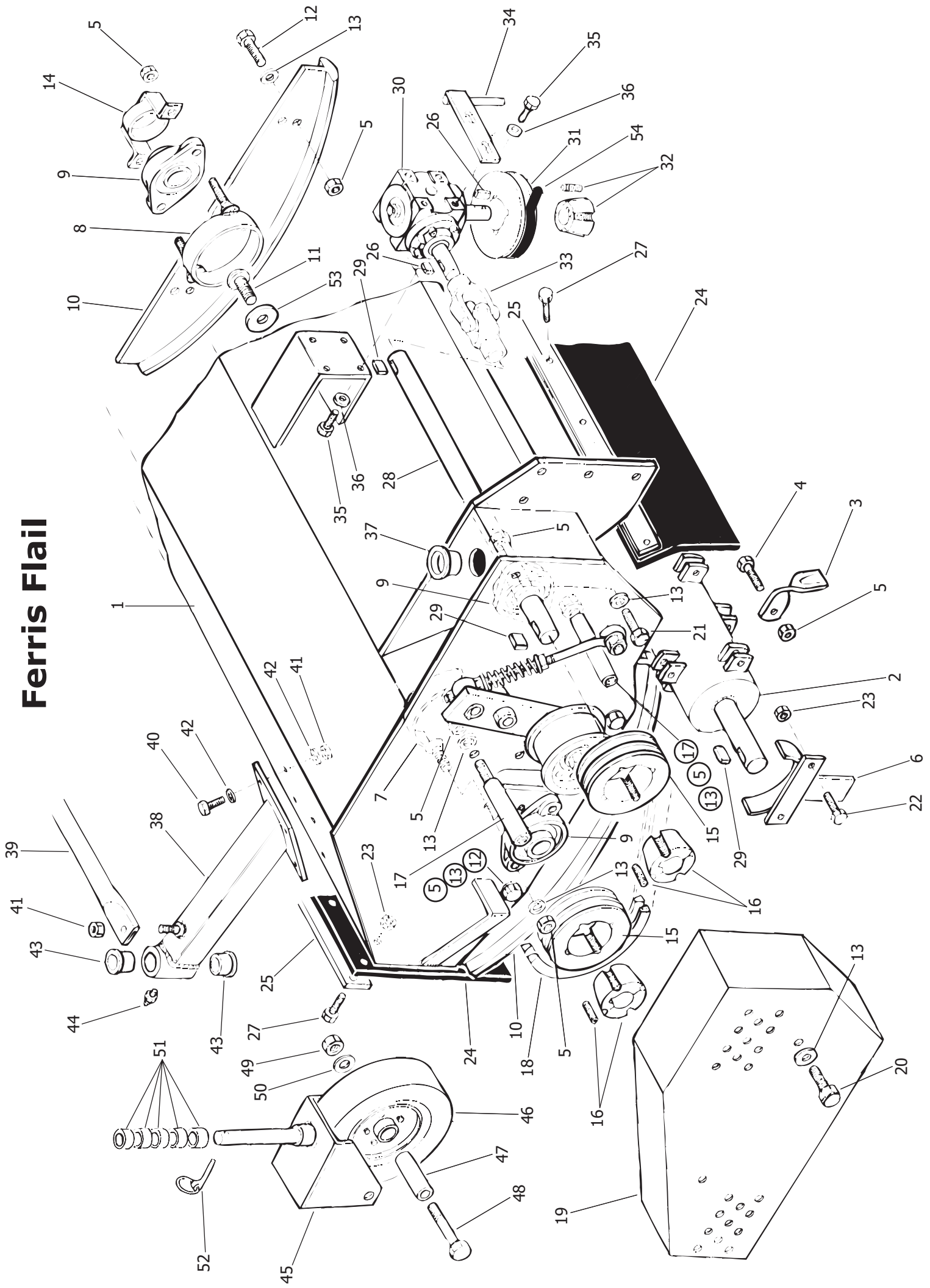
Ferris Flail



FERRIS 48" Flail

| Item No | Part Number | Description | Qty |
|---------|-------------|-------------------------------------|-----|
| 1 | IF48001 | Main hood | 1 |
| 2 | IF48002 | 36" Rotor c/w blades | 1 |
| 3 | 6046 | J Shaped blade | 32 |
| 4 | SET1035 | M10 x 35 HT set | 32 |
| 5 | NUTNYP10 | M10 Nyloc nut | 32 |
| 6 | IFS008 | Drive end filler | 1 |
| 7 | IFS010 | Drive end filler rotor cover | 1 |
| 8 | IFS011 | Non drive end rotor cover | 1 |
| 9 | B2F25 | Flanged bearing housing c/w bearing | 3 |
| 10 | IFS009 | Skid | 2 |
| 11 | SBUT1225 | M12 x 25 Button socket cap screw | 1 |
| 12 | SET1025 | M10 x 25 HT set | 4 |
| 13 | WSHP010 | M10 flat washer | 4 |
| 14 | IFS014 | Rotor shaft guard | 1 |
| 15 | DP2A90 | SPA090/2 Twin pulley | 2 |
| 16 | DC161025 | 25mm 1610 Centre | 2 |
| 17 | IFS039 | End guard pins | 2 |
| 18 | DBV36AX | AX36 V belt | 2 |
| 19 | IFS005 | End drive guard | 1 |
| 20 | SET1020 | M10 x 20 HT set | 2 |
| 21 | SET1035 | M10 x 35 HT set | 2 |
| 22 | SET0620 | M6 x 20 HT set | 2 |
| 23 | NUTNYP06 | M6 Nyloc nut | 2 |
| 24 | RB1501200 | 150 x 1200 x 6 Rubber flap | 2 |
| 25 | IF48006 | Flap retainer | 2 |
| 26 | DK060630 | M6 x 30 Parallel key | 2 |
| 27 | SET0625 | M6 x 25 HT set | 18 |
| 28 | IF48032 | Gearbox shaft | 1 |
| 29 | DK080825 | M8 x 25 Parallel key | 1 |
| 30 | W090 | Gearbox c/w 31 & 32 | 1 |
| 31 | 892-6477 | SPB12 Step pulley | 1 |
| 32 | DC161020 | 20mm 1610 centre | 1 |
| 33 | DUJ2520 | 25/20 Universal joint | 1 |
| 34 | IFS089 | Belt guide | 1 |
| 35 | SET0820 | M8 x 20 HT set | 2 |
| 36 | WSHP008 | M8 flat washer | 2 |

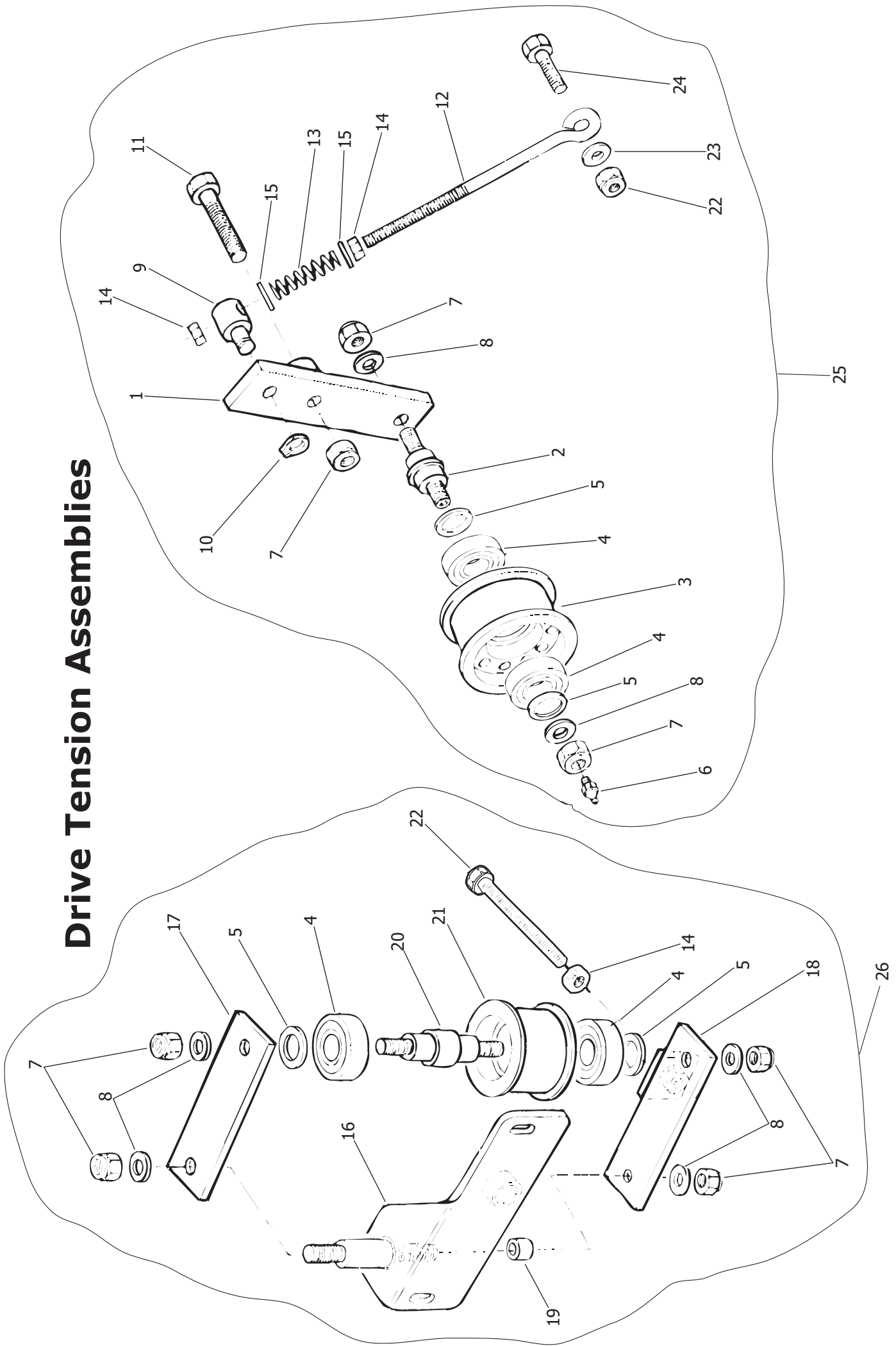
Ferris Flail



FERRIS 48" Flail

| Item No | Part Number | Description | Qty |
|---------|-------------|-----------------------------|-----|
| 37 | PC40R | 40mm Plastic grommet | 1 |
| 38 | IFS003 | Caster leg | 2 |
| 39 | IF48007 | Safety rail | 1 |
| 40 | SET0830 | M8 x 30 HT set | 8 |
| 41 | NUTNYP08 | M8 Nyloc nut | 8 |
| 42 | WSHP008 | M8 flat washer | 8 |
| 43 | 21541 | Caster arm bush | 4 |
| 44 | GNS0601 | M6 Grease nipple - straight | 2 |
| 45 | 41702 | Caster yoke | 2 |
| 46 | 21181 | Caster wheel assembly | 2 |
| 47 | 41657 | Wheel sleeve | 2 |
| 48 | 25017-44 | 1/2" UNC x 5 1/2" HT bolt | 2 |
| 49 | NUTPL105" | 1/2" UNC nyloc nut | 2 |
| 50 | WSHP012 | M12 flat washer | 2 |
| 51 | 41476 | Caster wheel spacers | 10 |
| 52 | 20655 | Lynch pin | 2 |
| 53 | WSHP1/2" | 1/2" Flat washer | 1 |
| 54 | B55 | Drive belt | 1 |

Drive Tension Assemblies



FERRIS 36" & 48" Flails

| Item No | Part Number | Description | Qty |
|---------|-------------|--------------------------------|-----|
| 1 | IFS040 | 90mm Tensioner arm | 1 |
| 2 | IFS041 | 90mm Tensioner spigot | 1 |
| 3 | IFS042 | 90mm Tensioner pulley | 1 |
| 4 | BR20 | 20mm Bearing - 6004ZZ | 4 |
| 5 | IFS043 | 20mm Spacers | 4 |
| 6 | GNS0601 | M6 Grease nipple | 2 |
| 7 | NUTNYP12 | M12 Nyloc nut | 7 |
| 8 | WSHP012 | M12 Flat washer | 7 |
| 9 | IFS044 | 12mm Trunnion | 1 |
| 10 | CCE12 | 12mm external circlip | 1 |
| 11 | BOLT12065 | M12 x 65 HT bolt | 1 |
| 12 | EBOLT08200 | M8 x 200 Eye bolt | 1 |
| 13 | SC64175 | 64 x 17.5 x 3 Tensioner spring | 1 |
| 14 | NUTPL08 | M8 Nut | 3 |
| 15 | WSHP008 | M8 Flat washer | 2 |
| 16 | IFS050 | Mid-tensioner mounting bracket | 1 |
| 17 | IFS051 | Mid-tensioner top arm | 1 |
| 18 | IFS052 | Mid-tensioner bottom arm | 1 |
| 19 | IFS053 | Mid-tensioner spacer | 1 |
| 20 | IFS054 | Mid-tensioner spigot | 1 |
| 21 | IFS055 | Mid-tensioner 60mm pulley | 1 |
| 22 | NUTNYP10 | M10 Nyloc nut | 1 |
| 23 | WSH010 | M10 Flat washer | 1 |
| 24 | SET1035 | M10 x 35 HT set | 1 |
| 25 | IFS046 | 90mm Vented pulley assembly | 1 |
| 26 | IFS058 | 60mm Mid-mount pulley assembly | 1 |

Drive Tension Assemblies