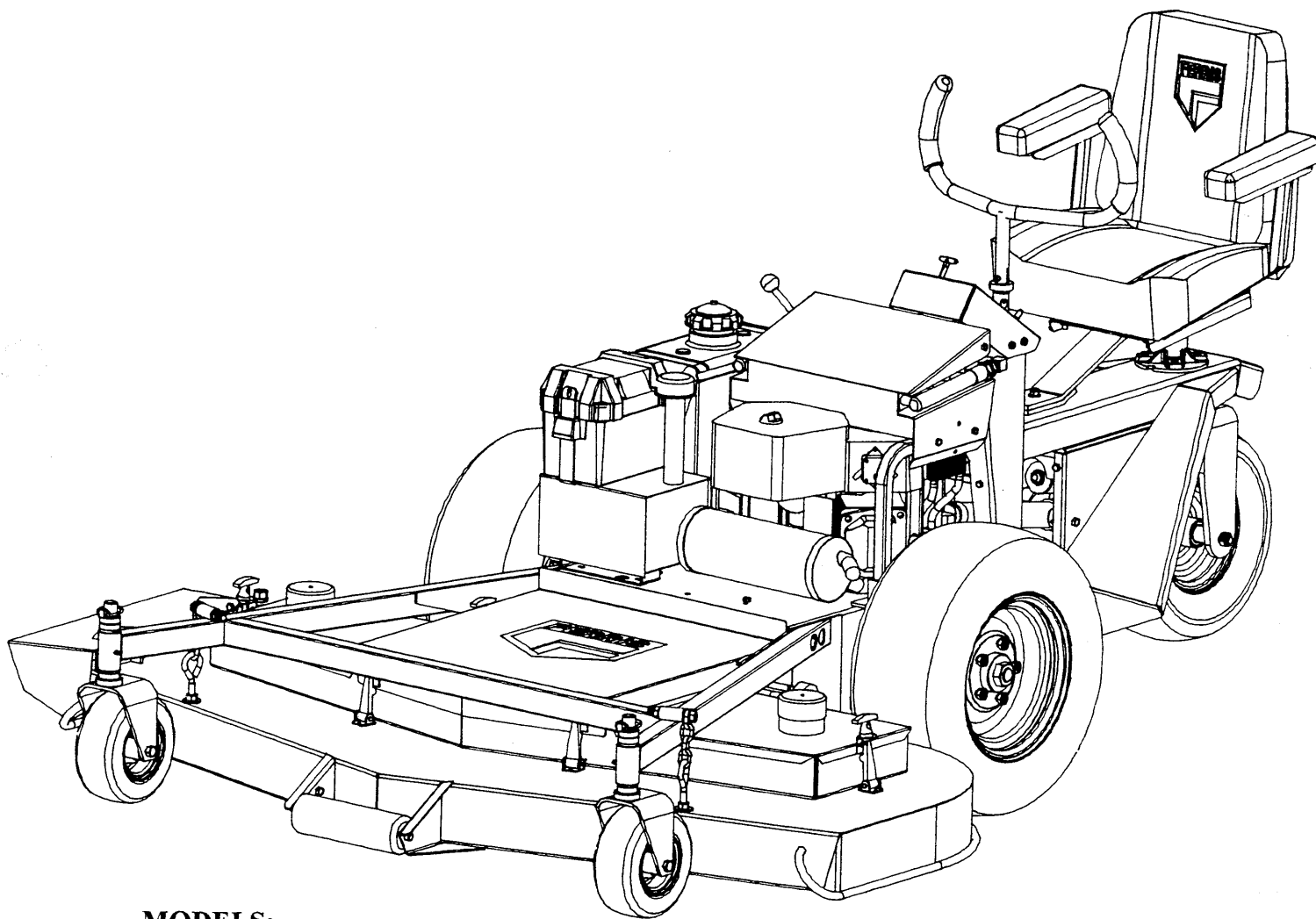


PRICE \$3.00

# FERRIS

## ILLUSTRATED PARTS LIST

### *Hydro Drive Rider Commercial Mowers*



**MODELS:**  
H3222K  
H3225K

**CUTTER DECKS:**  
P61  
P72


*Ferris Industries, Inc.*  
5375 N. Main Street  
Munnsville, NY 13409

Manual No. 22101  
Beginning Serial No. 855  
Printed in USA  
November 1997



# TABLE OF CONTENTS

	Page
Engine Deck Assembly.....	1-2
Rider Frame Assembly.....	3-4
Hydraulic System Layout.....	5-6
61" Cutter Deck Assembly.....	7-8
72" Cutter Deck Assembly.....	9-10
Electrical Schematic.....	11-12
Replacement Decals.....	13-14

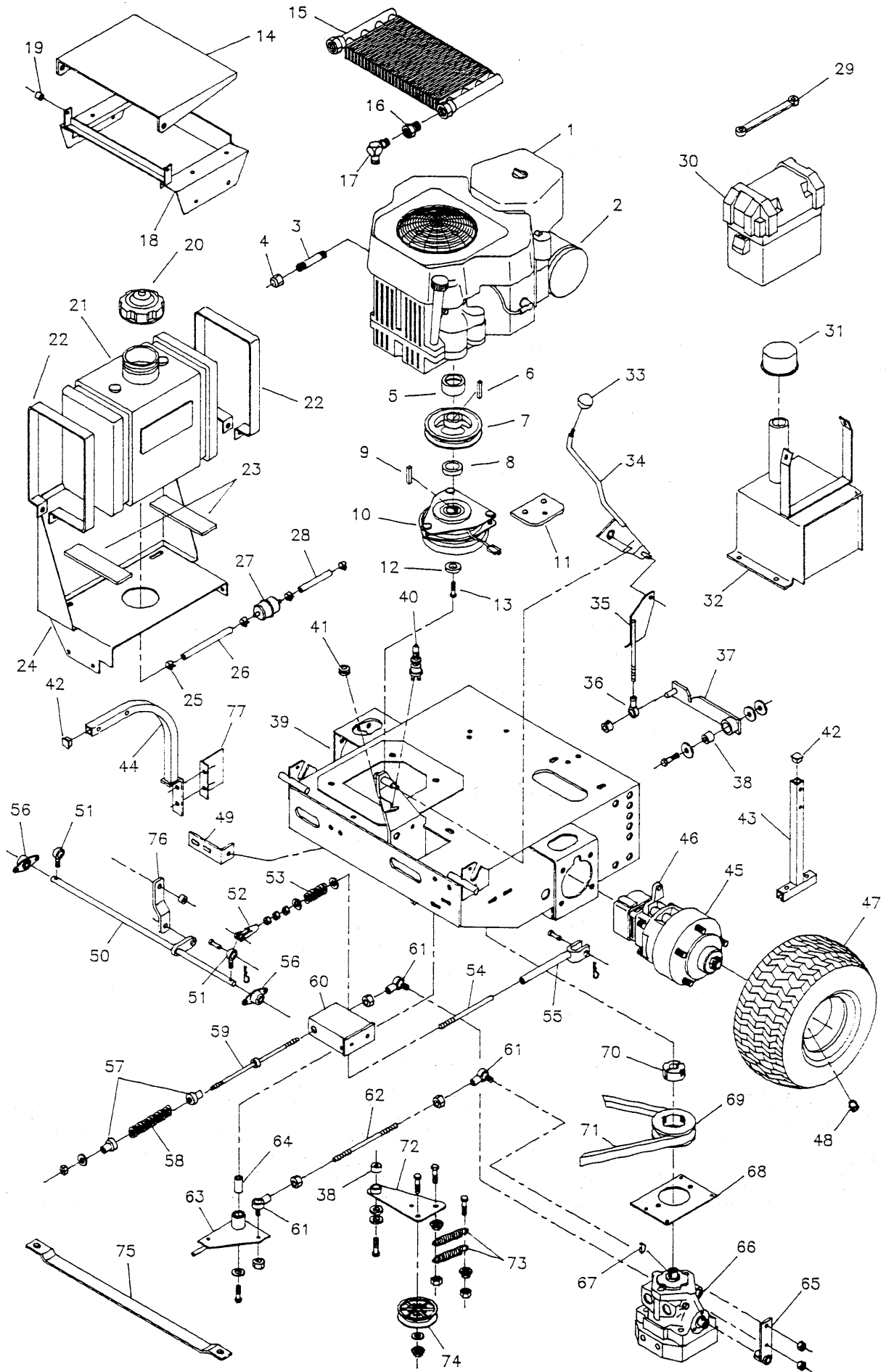
<b>FERRIS</b> 	<b>MODEL   SERIAL</b>
<hr/>	
<b>FERRIS INDUSTRIES, INC.</b>	
<b>MADE IN U.S.A.</b>	

**NOTE:**

To insure that the correct parts are ordered and shipped for your machine, please be sure to use the parts book and pages that specifically cover your machine. Whenever in doubt, include the model and serial number of your machine along with the part numbers. For future reference, record the model and serial number of your machine in the space provided above.

**WARNING:** THOROUGHLY READ OPERATOR'S MANUAL AND COMPLETELY ASSEMBLE ALL LOOSE PARTS BEFORE OPERATING MOWER. DO NOT OPERATE YOUR MOWER UNLESS ALL PARTS ARE ATTACHED AND IN GOOD WORKING ORDER. KEEP YOUR MOWER IN GOOD REPAIR AT ALL TIMES.

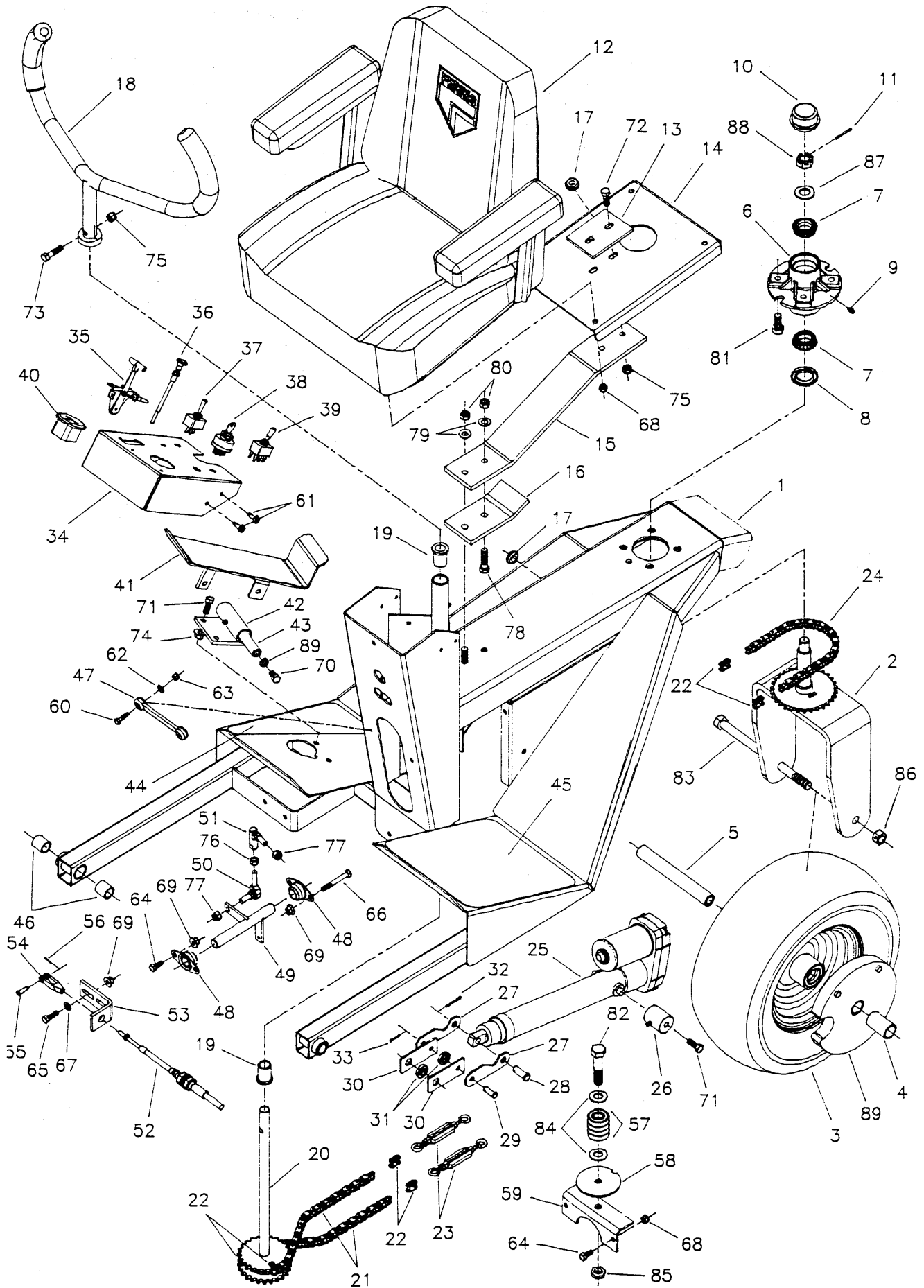
# ENGINE DECK ASSEMBLY



# ENGINE DECK ASSEMBLY

REF. NO.	PART NO.	DESCRIPTION	REF. NO.	PART NO.	DESCRIPTION
1	1522034	Engine, 22HP Kohler	47	1521353	23" Tire/Wheel Assembly
--	1522069	Engine, 25HP Kohler	48	8820601	Nut, Lug
2	1522161	Muffler (SN: 973 & up)	49	1542170	Bracket, Cable
3	1521707	Nipple, 3/8" NPT x 4-1/2"	50	1530911	Shaft, Brake
4	1521466	Cap, 3/8" NPT	51	1521124	Ball Joint, 3/8" Male
5	1544062	Spacer, Crank Shaft	52	1521171	Clevis, 3/8" Plastic
6	1550407-5	Key, 1/4" Sq. x 1-1/4"	53	1521773	Spring, Brake
7	1544061	Pulley, Pump Drive	54	1544422	Rod, Brake
8	1542945	Spacer, Clutch	55	1544425	Tube, Brake
9	1550407-1	Key, 1/4" Sq. x 1"	56	8820014	Bushing, Flange
10	1521145	Clutch, Electric	57	1542911	Guide, Spring Return
11	1543636	Pad, Clutch Mount	58	1521354	Spring, Brake Return
12	1542132	Washer, Clutch Retaining	59	1542934	Rod, Neutral Center
13	1543626	Bolt, Dri-Lock	60	1544055	Box, Spring Mount
14	1542951	Hood, Oil Cooler	61	1521170	Ball Joint, 5/16" Female Studed
15	1521368	Cooler, Oil	62	1544083	Rod, Linkage
16	1521388	Fitting, Reducer	63	1544068	Speed Control Crank
17	1521370	Fitting, Hose	--	8820043	Bushing, Brass
18	1544075	Mount, Oil Cooler	64	1542926	Spacer, Pivot
19	1544735	Spacer, Hood	65	1544049	Lever, Pump Control
20	1522158	Cap, Gas	66	1521333	Pump, Hydraulic
21	1521868	Tank, 6 Gallon Fuel	67	1521084	Key, Woodruff
22	1544693	Strap, 6 Gal. Fuel Tank	68	1544024	Plate, Pump Mount
23	1521877	Pad, Rubber Mount	69	1521681	Pulley, Tapered Pump Drive
24	1544692	Mount, Fuel Tank	70	1521367	Bushing, Tapered
25	1520835	Clamp, Hose	71	1521684	Belt, Pump Drive
26	1550831-35	Fuel Line, 35" Long	72	1544032	Arm, Idler
27	-----	Fuel Filter (Kohler supplied)	--	1520876B	Bushing, Brass
28	-----	Fuel Line (Kohler supplied)	73	1520807	Spring, Extension
29	1521670	Strap, Rubber	74	1544060	Pulley, Idler
30	1521666	Box, Battery	75	1544059	Bar, Tie
31	1521871	Breather	76	1544043	Link, Brake
32	1530774	Hydro Tank	77	1544409	Deflector, Exhaust (SN: 855-972)
33	1521733	Knob			
34	1530919	Brake Lever			
35	1543972	Brake Lock			
36	1521146	Ball Joint, 5/16" Female			
37	1542317	Neutral Lock w/ Bushing			
--	1520876B	Bushing, Brass			
38	1542134	Spacer, Pivot			
39	1530786	Engine Deck			
40	1521522	Switch, Plunger N.O.			
41	1521077	Grommet, 1/2"			
42	1521686	Cap, Plastic			
43	1544065	Mount, Oil Cooler			
44	1544148	Mount, Oil Cooler Left			
45	1521621	Motor, Wheel			
46	1521685	Lever, Brake			

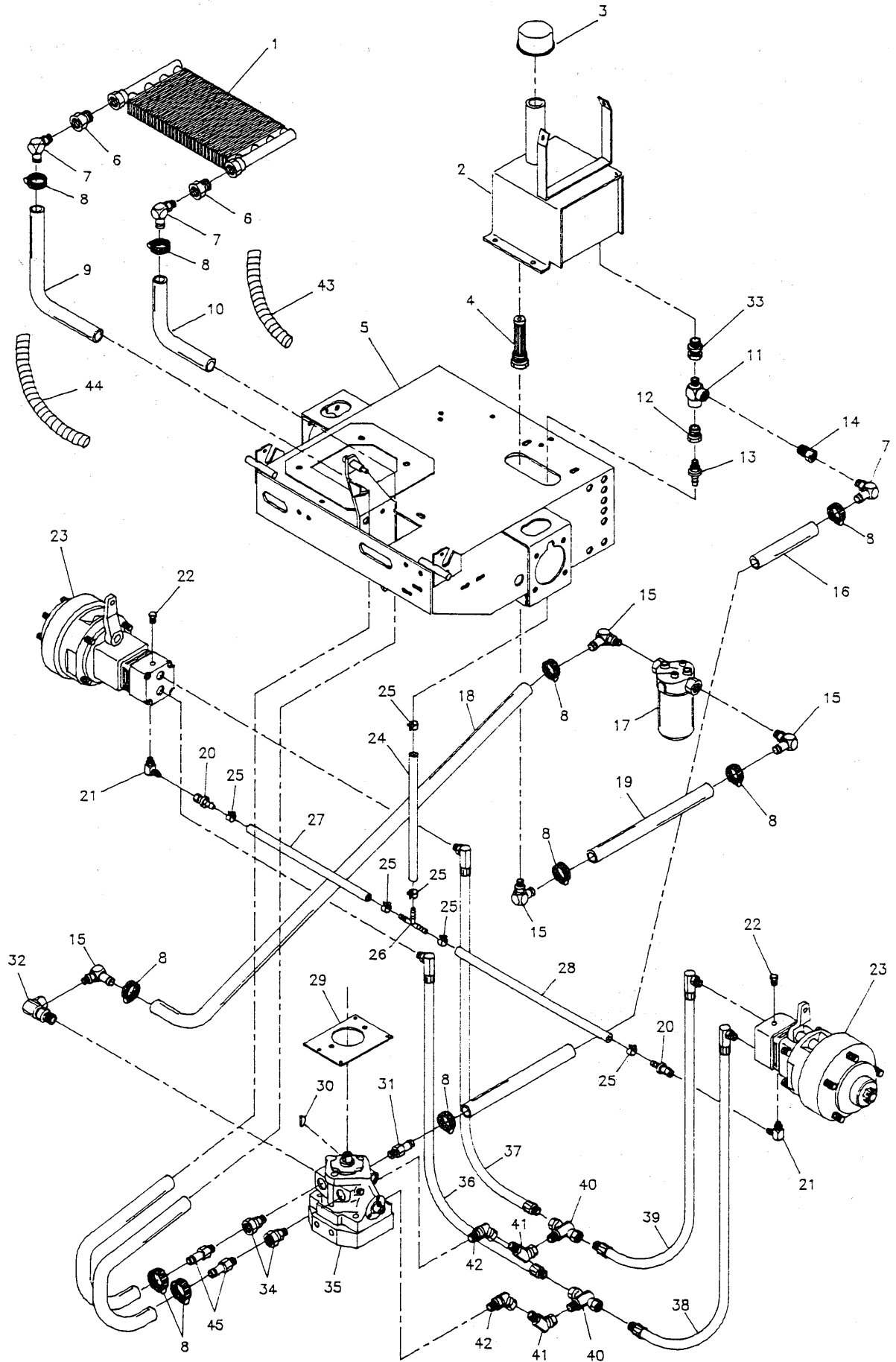
# RIDER FRAME ASSEMBLY



# RIDER FRAME ASSEMBLY

REF. NO.	PART NO.	DESCRIPTION	REF. NO.	PART NO.	DESCRIPTION
1	1530770	Trailer Weldment	52	1521089	Cable, Speed Control
2	1542127	Mount, Steering Tire	53	1542170	Bracket, Cable
3	1521150	Tire, Steering	54	1521104	Clevis, Plastic
4	1542315	Spacer, Axle	55	1525212-8	Pin, Clevis
5	1542314	Axle, Steering Tire	56	1525204-4	Pin, Cotter
6	1542110	Hub, Steering	57	1521882	Bearing, Roller
7	1520884	Bearing, Tapered Roller	58	1543652	Washer, Chain
8	1521072	Seal, Grease	59	1544627	Mount, Chain Roller
9	8820095	Grease Fitting	60	8825010-8	Bolt, 1/4-20 x 1" GD.5
10	1521073	Cap, Dust	61	1525279-6	Bolt, 1/4-20 x 3/4" Self Tapper
11	1525203-10	Pin, Cotter	62	8825154	Washer, 1/4" SAE
12	1521883	Seat w/ <i>FERRIS</i> Logo	63	8825095	Nut, 1/4-20 Hex Nylon Lock
13	1541522	Support, Seat Plate	64	8825011-6	Bolt, 5/16-18 x 3/4" GD.5
14	1542082	Plate, Seat	65	8825011-8	Bolt, 5/16-18 x 1" GD.5
15	1541836	Spring, Seat	66	8825011-20	Bolt, 5/16-18 x 2-1/2" GD.5
16	1542252	Support, Seat Spring	67	1525155	Washer, 5/16" SAE
17	1521077	Grommet, 1/2"	68	8825057	Nut, 5/16-18 Hex Nylon Lock
18	1530314	Steering Handle Assembly	69	8825139	Nut, 5/16-18 Serrated Flange-Large
--	1520837	Grip, Foam	70	8825013-6	Bolt, 3/8-16 x 3/4" GD.5
--	8820602	Collar, 1" Split	71	8825013-8	Bolt, 3/8-16 x 1" GD.5
19	1520823	Bushing, Flange	72	8825013-10	Bolt, 3/8-16 x 1-1/4" GD.5
20	1542087	Shaft, Steering Sprocket	73	8825013-12	Bolt, 3/8-16 x 1-1/2" GD.5
21	1510673-31	Chain, Roller - 31 Links	74	8825128	Nut, 3/8-16 Serrated Flange
22	8810674	Connector, Chain Link	75	8825096	Nut, 3/8-16 Hex Nylon Lock
23	1542090	Turnbuckle	76	1525035	Nut, 3/8-24 Hex
24	1510673-35	Chain, Roller - 35 Links	77	1525097	Nut, 3/8-24 Hex Nylon Lock
25	1543536	Actuator, Electric Lift	78	1525291-14	Bolt, 7/16-20 x 1-3/4" GD.8
26	1544082	Mount, Actuator	79	8825157	Washer, 7/16" SAE
27	1543677	Link, Actuator Lower	80	1525094	Nut, 7/16-20 Hex Nylon Lock
28	1543688	Pin, Clevis	81	1525018-10	Bolt, 1/2-20 x 1-1/4" GD.5
29	1525214-8	Pin, Clevis	82	1525280-24	Bolt, 5/8-11 x 3" GD.5
30	1544618	Link, Actuator	83	1525019-76	Bolt, 5/8-11 x 9-1/2" GD.5 Plain
31	1541477	Spacer, Blade	84	1525281	Washer, 5/8" SAE
32	1525203-10	Pin, Cotter	85	1525282	Nut, 5/8-11 Hex Nylon Jam
33	1525201-6	Pin, Cotter	86	8825103	Nut, 5/8-11 Hex Side Lock
34	1544212	Dash	87	1525160	Washer, 3/4" SAE
35	1521662	Cable, Throttle	88	1525104	Nut, 3/4-16 Hex Slotted
36	1521663	Cable, Choke	89	1544372	Wheel Weight (72" Deck only)
37	1521734	Switch, Actuator			
38	1520927	Switch, Ignition			
39	1521545	Switch, Electric Clutch			
40	1520060	Hour Meter			
41	1542185	Pedal, Foot Control			
--	1542281	Safety Walk			
42	1542137	Mount, Foot Pedal			
--	1520875B	Bushing, Brass			
43	1542147	Shaft, Pedal Pivot			
44	1542282	Safety Walk - Right			
45	1541774	Safety Walk - Left			
46	1520876P	Bushing, Plastic			
47	1520959	Strap, Rubber			
48	1521098	Bearing, Bronze Flange			
49	1542184	Bell Crank			
50	1521049	Ball Joint, 3/8" Male Studded			
51	1520805	Ball Joint, 3/8" Female Studded			

# HYDRAULIC SYSTEM LAYOUT





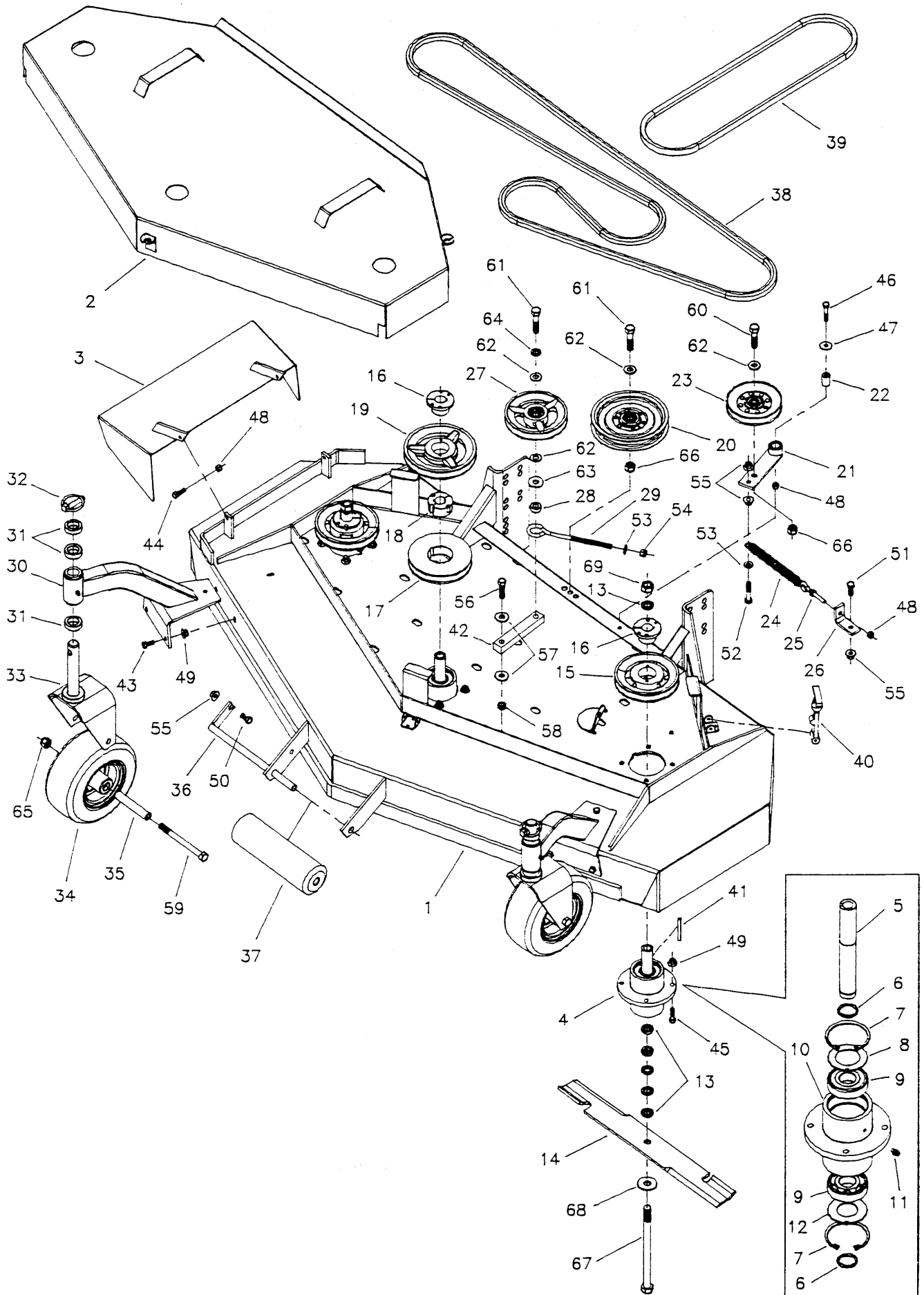
# HYDRAULIC SYSTEM LAYOUT

REF. NO.	PART NO.	DESCRIPTION
1	1521368	Cooler, Oil
2	1530774	Hydro Tank
3	1521871	Breather
4	1521082	Strainer, Line
5	1530786	Engine Deck
6	1521388	Fitting, Reducer
7	1521370	Fitting, 1/2" Hose
8	1521392	Clamp, Hose
9	1550857-39	Hose, 39" Long
10	1550857-29	Hose, 29" Long
11	1521376	Fitting, Tee
12	1521617	Fitting, Reducer
13	1521616	Fitting, Male Adapter
14	1521378	Fitting, Reducer
15	1521233	Fitting
16	1550857-10.5	Hose, 10-1/2" Long
17	1521356	Base, Filter
--	1521357	Oil Filter
18	1550848-9.75	Hose, 9-3/4" Long
19	1550848-22.75	Hose, 22-3/4" Long
*20	1521616	Fitting, Male Adapter
*21	1521615	Fitting, Female
22	1521636	Fitting, Plug
23	1521621	Motor, Wheel
24	1550896-3	Hose, 3" Long
25	1520835	Clamp, Hose
26	1521618	Fitting, Tee
27	1550869-5.25	Hose, 5-1/4" Long
28	1550869-25	Hose, 25" Long
29	1544024	Plate, Pump Mount
30	1521084	Key, Woodruff
31	1521620	Fitting
32	1521363	Fitting, Swivel
33	1521377	Fitting, Straight Swivel
34	1521373	Fitting, Swivel
35	1521333	Pump, Hydraulic
36	1521381	Hose Assembly, 17"
37	1521380	Hose Assembly, 19"
38	1521382	Hose Assembly, 15"
39	1521383	Hose Assembly, 13"
40	1521360	Fitting, Tee
41	1521361	Fitting, 45° Swivel
42	1521362	Fitting, 45° O-Ring
43	1550862-26	Wire Loom, 26"
44	1550862-38	Wire Loom, 38"
45	1521372	Fitting

**NOTE:**

\*Items #21 & #22 must be purchased in a set.

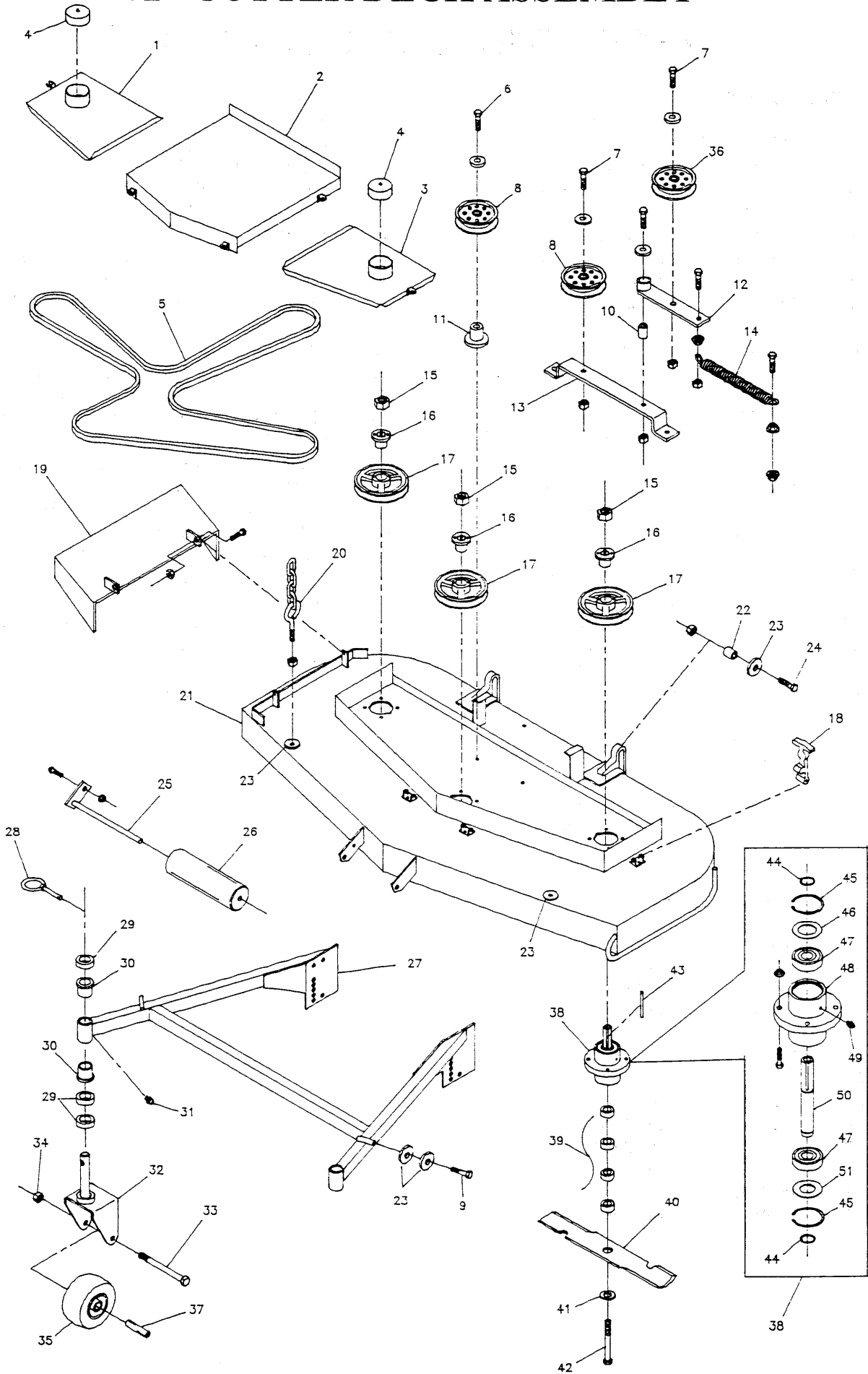
# 61" CUTTER DECK ASSEMBLY



# 61" CUTTER DECK ASSEMBLY

REF. NO.	PART NO.	DESCRIPTION	REF. NO.	PART NO.	DESCRIPTION
1	1530821	61" Cutter Deck	43	8825011-6	Bolt, 5/16-18 x 3/4" GD.5
2	1530822	61" Guard	44	8825011-8	Bolt, 5/16-18 x 1" GD.5
3	1541668	Chute, Discharge	45	1525011-10	Bolt, 5/16-18 x 1-1/4" GD.5
4	1530301	Spindle Assembly	46	8825011-14	Bolt, 5/16-18 x 1-3/4" GD.5
5	1541480	Shaft, Spindle	47	8825164	Washer, 5/16" Fender
6	1520864	Snap Ring, External	48	8825057	Nut, 5/16-18 Hex Nylon Lock
7	1520866	Snap Ring, Internal	49	8825139	Nut, 5/16-18 Large Serrated Flange
8	1541653	Spindle Washer-Top	50	8825013-6	Bolt, 3/8-16 x 3/4" GD.5
9	1520828	Bearing	51	8825013-8	Bolt, 3/8-16 x 1" GD.5
10	1530293	Housing, Spindle	52	1525013-16	Bolt, 3/8-16 x 2" GD.5
11	8820095	Grease Fitting	53	8825156	Washer, 3/8" SAE
12	1541672	Spindle Washer-Bottom	54	8825096	Nut, 3/8-16 Hex Nylon Lock
13	1541477	Spacer, Blade	55	8825128	Nut, 3/8-16 Serrated Flange
14	1520842	Blade, 21"	56	1525016-14	Bolt, 7/16-20 x 1-3/4" GD.5
15	1520814	Pulley, Spindle	57	8825157	Washer, 7/16" SAE
16	1520819	Bushing, Tapered Hub	58	1525094	Nut, 7/16-20 Hex Nylon Lock
17	1522159	Pulley, Taper Lock	59	1525017-44	Bolt, 1/2-13 x 5-1/2" GD.5
18	1522160	Bushing, Taper Lock	60	1525018-16	Bolt, 1/2-20 x 2" GD.5
19	1520815	Pulley, Spindle	61	1525018-18	Bolt, 1/2-20 x 2-1/4" GD.5
20	1521096	Pulley, Backside Idler	62	8825158	Washer, 1/2" SAE
21	1542145	Arm, Idler w/ Bushing	63	1525150	Washer, 1/2" USS
--	1520876B	Bushing, Brass	64	8825173	Washer, 1/2" Lock
22	1542134	Spacer, Pivot	65	1525056	Nut, 1/2-13 Hex Nylon Lock
23	1521097	Pulley, V-Idler	66	8825098	Nut, 1/2-20 Hex Nylon Lock
24	1521103	Spring, Extension	67	1525019-76	Bolt, 5/8-11 x 9-1/2" GD.5
25	1525141-26	Eyebolt	68	8825159	Washer, 5/8" USS
26	1542142	Anchor, Spring	69	1525040	Nut, 5/8-11 Hex
27	1530819	Idler Pulley Assembly			
--	1541481	Pulley, Idler			
--	1520827	Bearing			
--	1520870	Insert, Bearing			
--	1520865	Snap Ring, Internal			
28	1544609	Spacer, Idler			
29	1521811	Eyebolt, 3/8" x 8"			
30	1543887	Mount, Deck Caster			
--	1521541	Bushing, Flange			
--	1521728	Grease Fitting			
31	1541476	Spacer, Caster			
32	8820655	Pin, Lynch			
33	1541702	Yoke, Caster			
34	1521181	Tire, Caster			
35	1541657	Axle, Caster Wheel			
36	1541655	Pin, Roller Mount			
37	1520785	Roller			
38	1520824	Belt, Blade Spindle			
39	1521679	Belt, Deck Drive			
40	1520841-1	Latch, Rubber			
41	8850407-9	Key, 1/4" Sq. x 2-1/2"			
42	1544610	Arm, Idler			

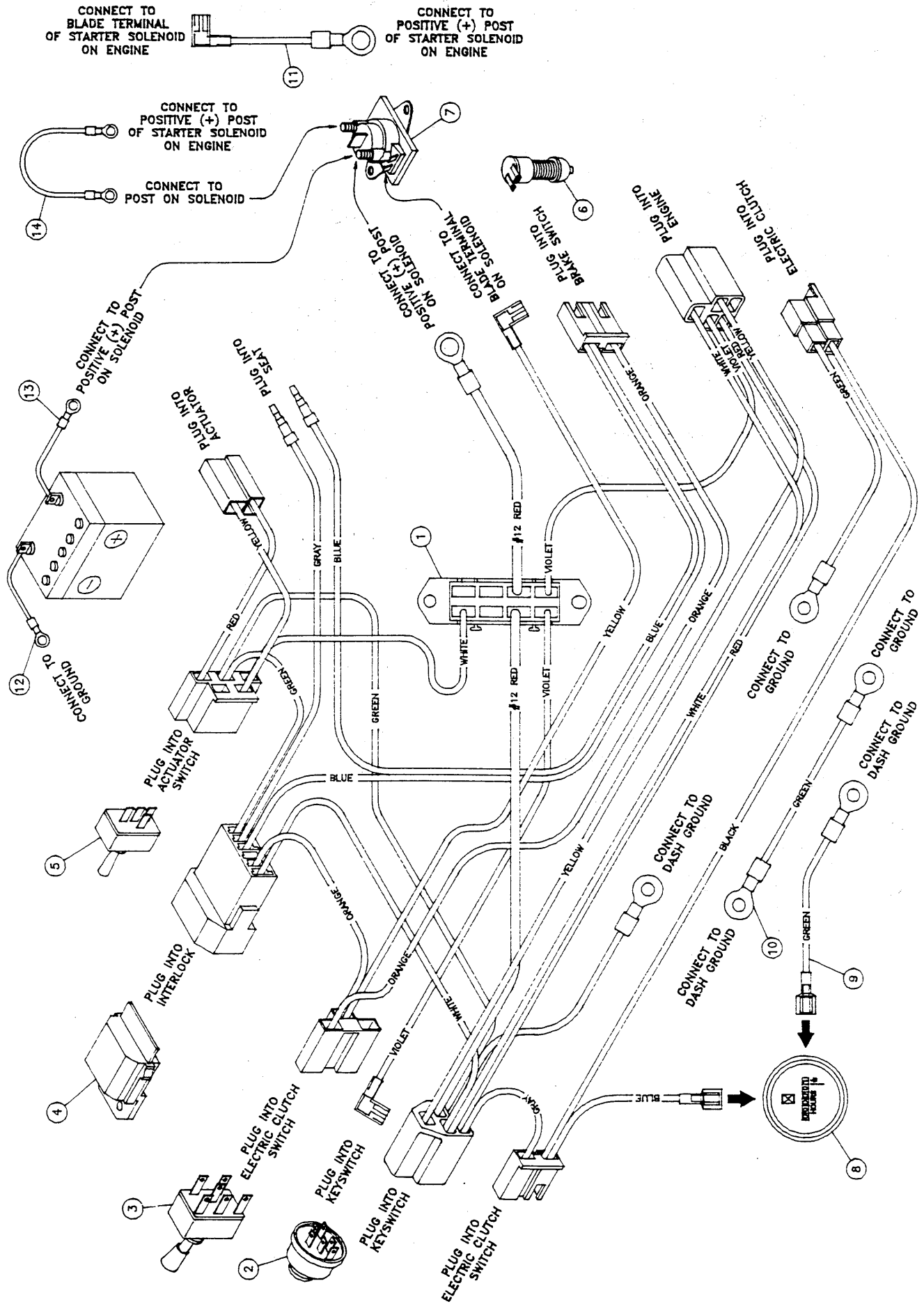
# 72" CUTTER DECK ASSEMBLY



## 72" CUTTER DECK ASSEMBLY

REF. NO.	PART NO.	DESCRIPTION	REF. NO.	PART NO.	DESCRIPTION
1	1544180R	Right Deck Guard	41	8825159	Washer, 5/8" USS
2	1544198	Center Deck Guard	42	1525019-76	Bolt, 5/8-11 x 9-1/2" GD.5
3	1544180L	Left Deck Guard	43	8850407-9	Key, 1/4" Sq. x 2-1/2"
4	1521674	Cap, Vinyl	44	1520864	Snap Ring, External
5	1521684	Belt, Deck Drive	45	1520866	Snap Ring, Internal
6	1525017-36	Bolt, 1/2-13 x 4-1/2" GD.5	46	1541653	Spindle Washer-Top
7	1525018-20	Bolt, 1/2-20 x 2-1/2" GD.5	47	1520828	Bearing
8	1521831	Pulley, Idler	48	1530293	Housing, Spindle
9	1525017-28	Bolt, 1/2-13 x 3-1/2" GD.5	49	8820095	Grease Fitting
10	1542134	Spacer, Pivot	50	1541480	Shaft, Spindle
11	1544695	Spacer, Long	51	1541672	Spindle Washer-Bottom
12	1543007	Arm, Idler			
13	1544174	Mount, Idler			
14	1521103	Spring, Extension			
15	1525040	Nut, 5/8-11 Hex			
16	1520819	Bushing, Tapered Hub			
17	1521410	Pulley, Spindle			
18	1520841-1	Latch, Rubber			
19	1544201	Chute, Discharge			
20	1544199	Deck Hanger			
21	1530837	72" Cutter Deck			
22	1544166	Bushing, Steel			
23	1525150	Washer, 1/2" USS			
24	8825018-20	Bolt, 1/2-20 x 2-1/2" GD.5			
25	1541655	Pin, Deck Roller			
26	1520785	Roller			
27	1544257	Arm, Caster Mount			
28	8820655	Pin, Lynch			
29	1541476	Spacer, Caster			
30	1521541	Bushing, Flange			
31	1521728	Grease Fitting			
32	1541702	Mount, Caster Wheel			
33	1525017-44	Bolt, 1/2-13 x 5-1/2" GD.5			
34	1525056	Nut, 1/2-13 Hex Nylon Lock			
35	1521181	Tire, Caster			
36	1544443	Pulley, Idler			
37	1541657	Axle, Caster			
38	1530301	Spindle Assembly			
39	1541477	Spacer, Blade			
40	1521408	Blade, 24-1/2"			

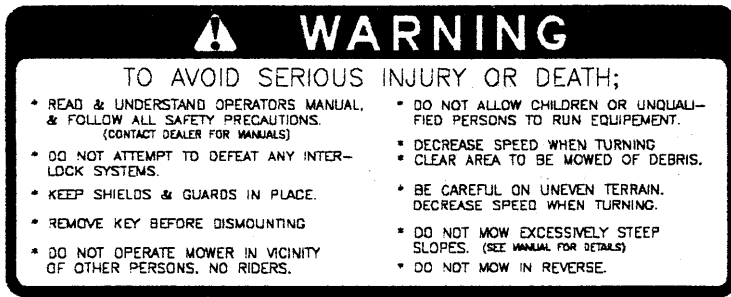
# ELECTRICAL SCHEMATIC



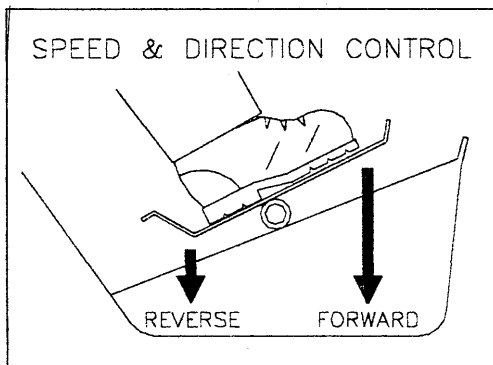
# ELECTRICAL SCHEMATIC

REF. NO.	PART NO.	DESCRIPTION
1	1531051	Rider Wire Harness
2	1520927	Switch, Ignition
3	1521545	Switch, Electric Clutch
4	1545152	Interlock Relay Harness
5	1521734	Switch, Electric Actuator
6	1521522	Switch, Plunger N.O.
7	1521886	Solenoid, Starter
8	1520060	Hour Meter
9	1544501	Hour Meter Ground Wire
10	1544502	Dash Ground Wire
11	1544731	Starter Jumper Wire
12	1521406	Negative (-) Battery Cable
13	1521542	Positive (+) Battery Cable
14	1522732	Starter Solenoid Cable

# REPLACEMENT DECALS



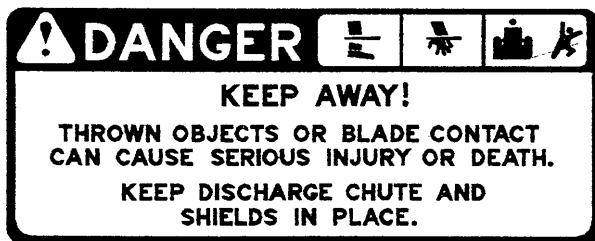
Decal, Warning  
1520850



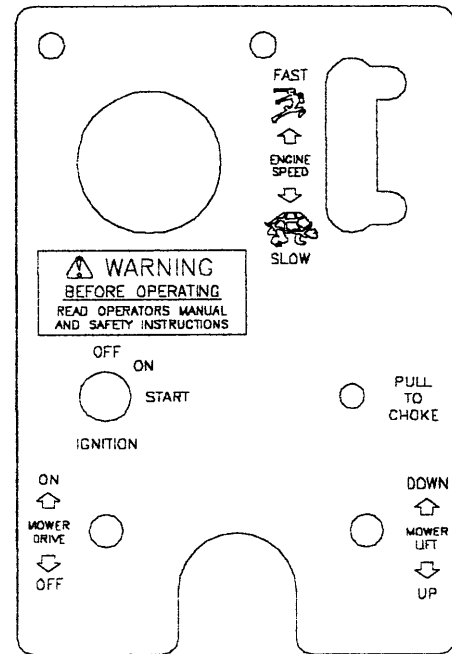
Decal, Control Pedal  
1521111



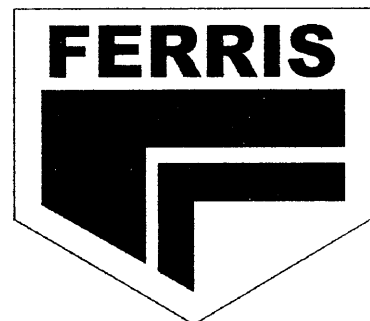
Decal, Warning  
1520337



Decal, Danger-Keep Away  
1520851



Decal, Dash  
1521884



Decal, Ferris  
1520852



Decal, Hydro Drive  
1521126



# REPLACEMENT DECALS

**FERRIS**

Decal, Ferris (Text Only)  
1520849

**ProCut**

Decal, Pro Cut  
1521300

**Commercial**

Decal, Commercial  
1520846

**61**

Decal, 61"  
1521302

**72**

Decal, 72"  
1521416

**SPEED & DIRECTION CONTROL**

Decal, Speed and Direction  
1521112

**HYDRAULIC OIL RESERVOIR**

**NEVER FILL MORE THAN 3/4 FULL OR SPILLAGE MAY OCCUR WHEN OIL IS AT FULL OPERATING TEMPERATURE.**

**FILTER CHANGE**

**- ONCE PER YEAR OR EVERY 500 HOURS**

**FLUID RECOMMENDATION**

**- PREMIUM S.A.E. 10W/30 MOTOR OIL**

**\* CHANGE FLUID AND FILTER IF WATER OR DIRT CONTAMINANTS ARE SUSPECTED.**

**\* THESE RECOMMENDATIONS ARE SPECIFIC TO MODEL H3222K.**

Decal, Hydro Tank  
1544449

**GREASE  
DAILY**

Decal, Grease Daily  
1521036

**OFF**

▲

■

■

■

P  
A  
R  
K  
I  
N  
G

B  
R  
A  
K  
E

■

■

■

▼

**ON**

Decal, Parking Brake  
1521109





