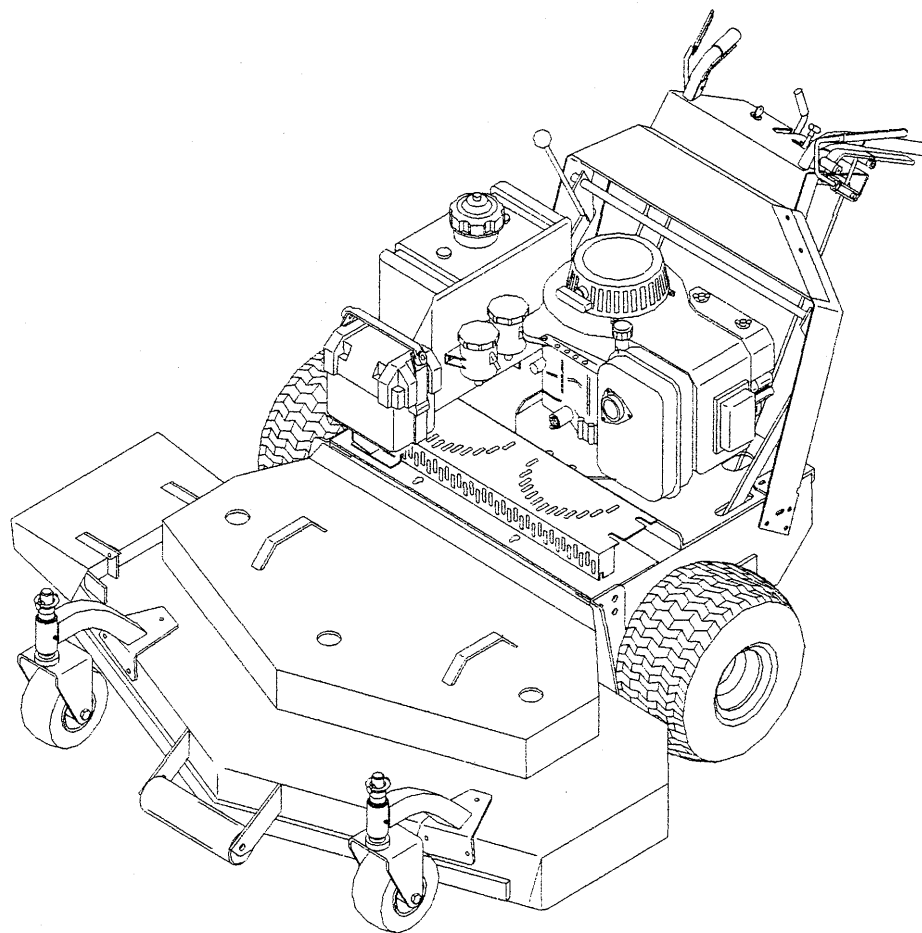


PRICE \$3.00

FERRIS

ILLUSTRATED PARTS LIST

HydroWalk Dual-Drive Commercial Mowers



MODELS:

DD48KA, DDS48KA

DD52KA, DDS52KA

DD52KAE, DDS52KAE

DD52BVE, DDS52BVE

DD61KAE, DDS61KAE

DD61BVE, DDS61BVE

*Ferris Industries, Inc.
5375 N. Main Street
Munnsville, NY 13409*

**Manual No. 21504
Beginning Serial No. 101
Printed in USA
December 1997**

THE UNIVERSITY OF CHICAGO

PHYSICS DEPARTMENT

PHYSICS 435: QUANTUM MECHANICS

PROBLEM SET 1

1. A particle of mass m is confined to a one-dimensional infinite potential well of width L . The potential is zero for $0 < x < L$ and infinite elsewhere. The wave function $\psi(x)$ must satisfy the boundary conditions $\psi(0) = \psi(L) = 0$.

(a) Find the first three energy eigenvalues E_1, E_2, E_3 and the corresponding normalized wave functions $\psi_1(x), \psi_2(x), \psi_3(x)$.

(b) Suppose the particle is in the ground state $\psi_1(x)$. Calculate the probability of finding the particle in the region $0 < x < L/2$.

(c) Calculate the expectation value of the position $\langle x \rangle$ for the ground state.

(d) Calculate the expectation value of the momentum $\langle p \rangle$ for the ground state.

(e) Calculate the expectation value of the kinetic energy $\langle T \rangle$ for the ground state.

(f) Calculate the expectation value of the potential energy $\langle V \rangle$ for the ground state.

(g) Calculate the expectation value of the total energy $\langle E \rangle$ for the ground state.

(h) Calculate the expectation value of the position $\langle x \rangle$ for the first excited state $\psi_2(x)$.

(i) Calculate the expectation value of the momentum $\langle p \rangle$ for the first excited state $\psi_2(x)$.

(j) Calculate the expectation value of the kinetic energy $\langle T \rangle$ for the first excited state $\psi_2(x)$.

(k) Calculate the expectation value of the potential energy $\langle V \rangle$ for the first excited state $\psi_2(x)$.

(l) Calculate the expectation value of the total energy $\langle E \rangle$ for the first excited state $\psi_2(x)$.

(m) Calculate the expectation value of the position $\langle x \rangle$ for the second excited state $\psi_3(x)$.

(n) Calculate the expectation value of the momentum $\langle p \rangle$ for the second excited state $\psi_3(x)$.


(o) Calculate the expectation value of the kinetic energy $\langle T \rangle$ for the second excited state $\psi_3(x)$.

(p) Calculate the expectation value of the potential energy $\langle V \rangle$ for the second excited state $\psi_3(x)$.

(q) Calculate the expectation value of the total energy $\langle E \rangle$ for the second excited state $\psi_3(x)$.

TABLE OF CONTENTS

| | Page |
|---|-------|
| 48" Cutter Deck Assembly..... | 1-2 |
| 52" Cutter Deck Assembly..... | 3-4 |
| 61" Cutter Deck Assembly..... | 5-6 |
| Single Piece Engine Deck Assembly..... | 7-8 |
| Multi-Piece Engine Deck Assembly..... | 9-10 |
| DDS Engine Deck Assembly..... | 11-12 |
| Transmission Assembly | 13-14 |
| Handle Bar Assembly..... | 15-16 |
| DDS Handle Bar Assembly..... | 17-18 |
| Electrical Schematics..... | 19-36 |
| 14 HP Kawasaki Manual Start..... | 19-26 |
| 17 HP Kawasaki Electric Start..... | 27-32 |
| 18 HP Briggs & Stratton Electric Start..... | 33-36 |
| Replacement Decals..... | 37-38 |

| |
|--|
| FERRIS  |
| MODEL SERIAL |
| |
| _____ |
| FERRIS INDUSTRIES, INC. VERNON, N.Y. 13476 MADE IN U.S.A. |

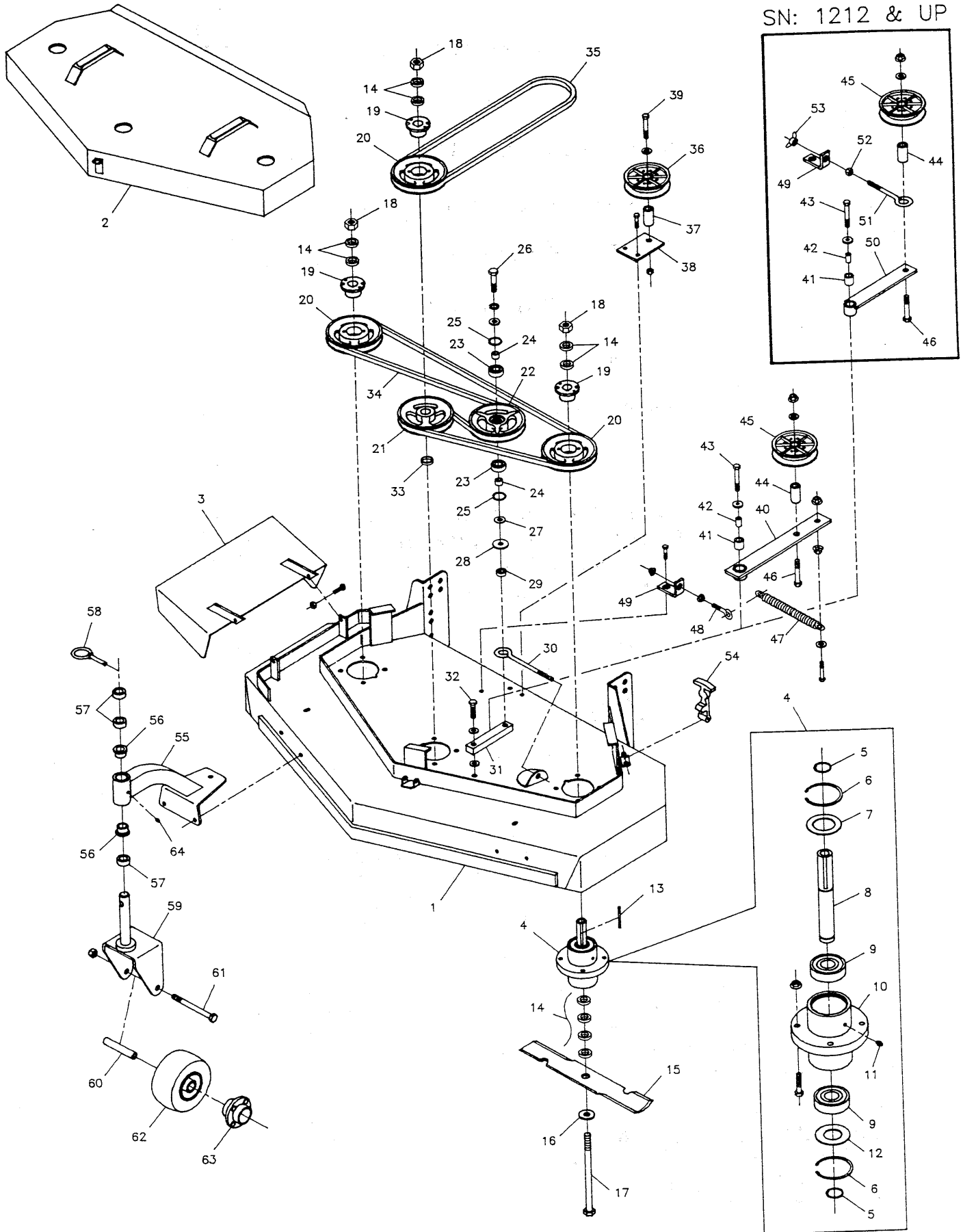
NOTE:

To insure that the correct parts are ordered and shipped for your machine, please be sure to use the parts book and pages that specifically cover your machine. Whenever in doubt, include the model and serial number of your machine along with the part numbers. For future reference, record the model and serial number of your machine in the space provided above.

⚠ WARNING: THOROUGHLY READ OPERATOR'S MANUAL AND COMPLETELY ASSEMBLE ALL LOOSE PARTS BEFORE OPERATING MOWER. DO NOT OPERATE YOUR MOWER UNLESS ALL PARTS ARE ATTACHED AND IN GOOD WORKING ORDER. KEEP YOUR MOWER IN GOOD REPAIR AT ALL TIMES.

48" CUTTER DECK ASSEMBLY

SN: 1212 & UP

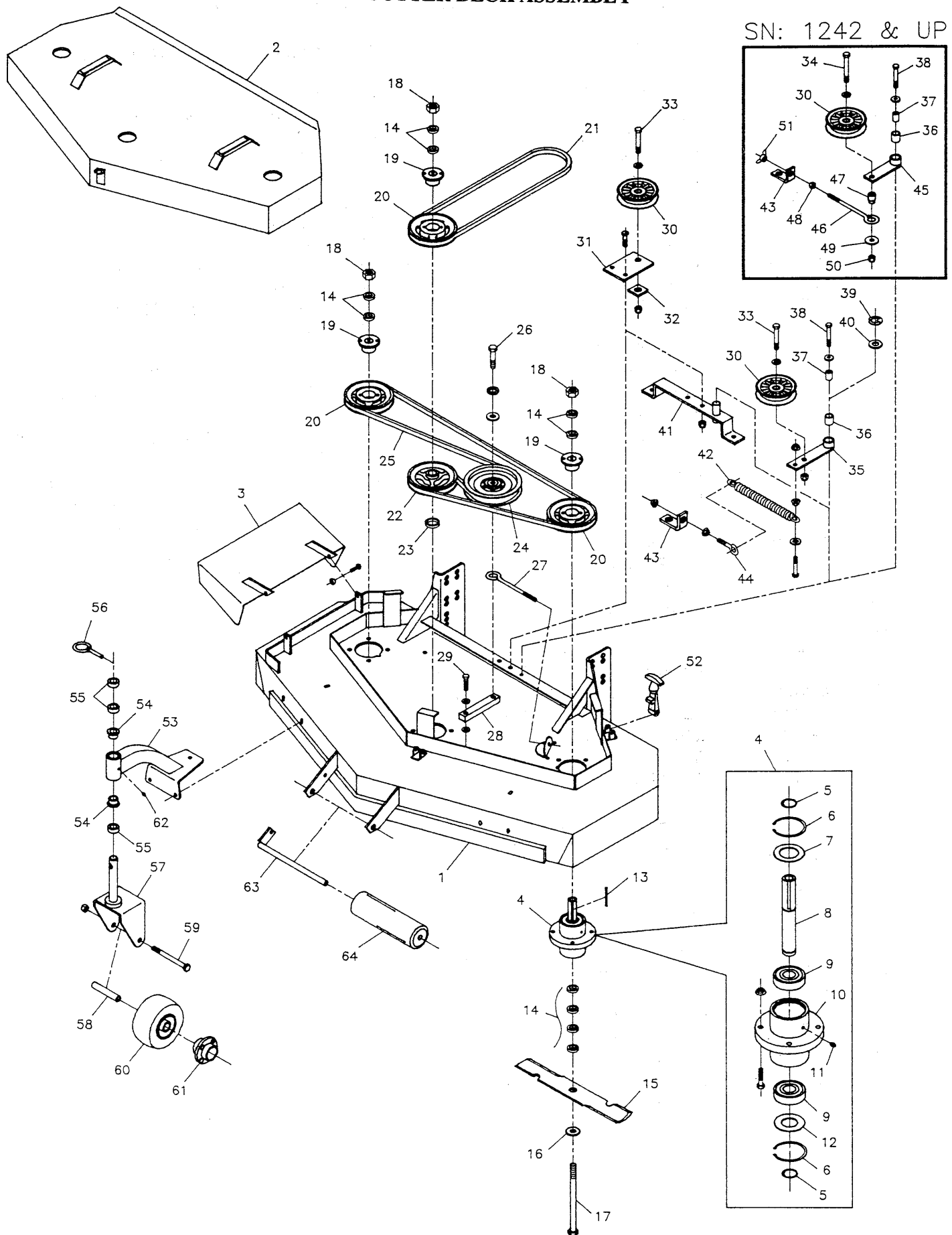


48" CUTTER DECK ASSEMBLY

| REF. NO. | PART NO. | DESCRIPTION | REF. NO. | PART NO. | DESCRIPTION |
|----------|------------|---------------------------------------|----------|------------|----------------------------|
| 1 | 1530813 | 48" Cutter Deck | 45 | 1543517 | Idler Pulley Assembly |
| 2 | 1530827 | 48" Guard | 46 | 1525013-24 | 3/8-16 x 3" GD. 5 Bolt |
| 3 | 1541668 | Discharge Chute | 47 | 1521103 | Spring |
| 4 | 1530301 | Spindle Assembly | 48 | 8825141 | Eyebolt |
| 5 | 1520864 | Snap Ring | 49 | 1542142 | Spring Anchor |
| 6 | 1520866 | Snap Ring | 50 | 1544683 | Idler Arm w/ Bushing |
| 7 | 1541653 | Washer | 51 | 1521812 | 3/8" x 6" Eyebolt |
| 8 | 1541480 | Spindle Shaft | 52 | 8825034 | 3/8-16 Hex Nut |
| 9 | 1520828 | Bearing | 53 | 1525143 | 3/8-16 Nylon Lock Wingnut |
| 10 | 1530293 | Aluminum Housing | 54 | 1520841-1 | Rubber Latch |
| 11 | 1520095 | Grease Fitting | 55 | 1543887 | Caster Mount |
| 12 | 1541672 | Washer | 56 | 1521541 | Flange Bushing |
| 13 | 1550407-9 | Key 1/4" x 2-1/2" | 57 | 1541476 | Caster Spacer |
| 14 | 1541477 | Blade Spacer | 58 | 8820655 | Lynch Pin |
| 15 | 1520843 | Blade | 59 | 1541702 | Caster Wheel Mount |
| 16 | 1525159 | 5/8" SAE Flat Washer | 60 | 1541657 | Sleeve |
| 17 | 1525019-76 | 5/8-11 x 9-1/2" GD. 5 Bolt | 61 | 1525017-44 | 1/2-13 x 5-1/2" GD. 5 Bolt |
| 18 | 8825040 | 5/8-11 Hex Nut | 62 | 1521181 | Caster Wheel Assembly |
| 19 | 1520819 | Hub | 63 | 1521811-4 | Hub Complete (Stamped M) |
| 20 | 1520814 | Pulley | -- | 1521262 | Hub Complete (Stamped T) |
| 21 | 1541478 | Pulley | 64 | 1521729 | Grease Fitting |
| 22 | 1530819 | Idler Pulley (Complete) | | | |
| -- | 1541481 | Idler Pulley Only | | | |
| 23 | 1520827 | Bearing | | | |
| 24 | 1520870 | Bearing Insert | | | |
| 25 | 1520865 | Snap Ring | | | |
| 26 | 1525018-18 | 1/2-20 x 2-1/4" GD. 5 Bolt | | | |
| -- | 1525018-14 | 1/2-20 x 1-3/4" Bolt (before SN 1189) | | | |
| 27 | 8825158 | 1/2" SAE Washer (SN 1189 & up) | | | |
| 28 | 1525150 | 1/2" USS Washer (SN 1189 & up) | | | |
| 29 | 1544609 | Idler Spacer (SN 1189 & up) | | | |
| 30 | 1521811 | 3/8" x 8" Eyebolt | | | |
| -- | 1541729 | Plated J-Bolt (before SN 1189) | | | |
| 31 | 1544610 | Idler Arm | | | |
| -- | 1541622 | Idler Arm (before SN 1189) | | | |
| 32 | 1525016-14 | 7/16-20 x 1-3/4" GD. 5 Bolt | | | |
| 33 | 1541484 | Spindle Spacer | | | |
| 34 | 1520873 | Belt | | | |
| 35 | 1521723 | Belt | | | |
| 36 | 1544098 | Idler Pulley Assembly | | | |
| 37 | 1544157 | Idler Support | | | |
| 38 | 1544153 | Idler Pulley Bracket | | | |
| 39 | 1525017-32 | 1/2-13 x 4" GD. 5 Bolt | | | |
| 40 | 1544155 | Idler Arm w/ Bushing | | | |
| 41 | 1520876B | Brass Bushing | | | |
| 42 | 1542134 | Pivot Spacer | | | |
| 43 | 8825011-14 | 5/16-18 x 1-3/4" GD. 5 Bolt | | | |
| 44 | 1544156 | Idler Support | | | |

52" CUTTER DECK ASSEMBLY

SN: 1242 & UP

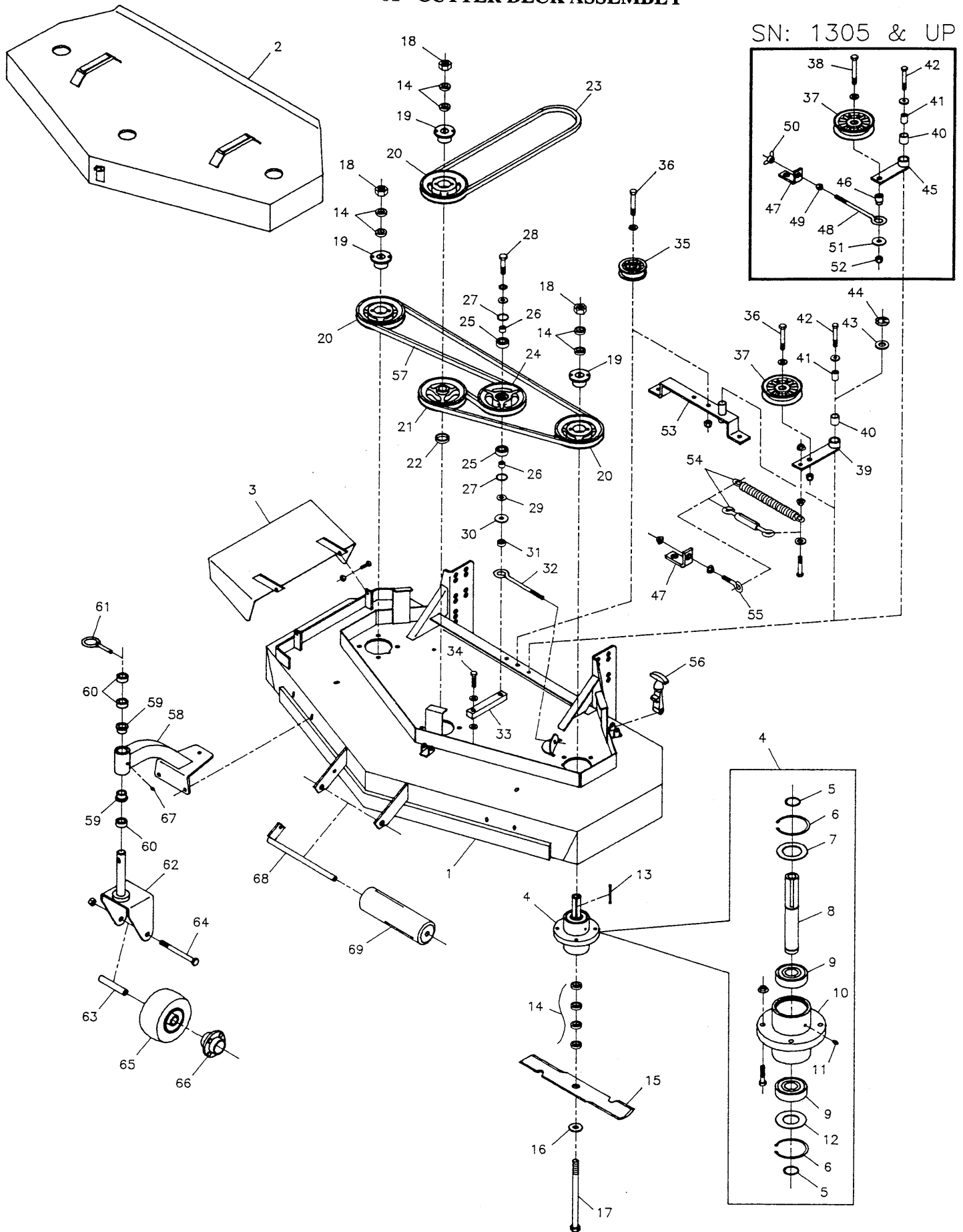


52" CUTTER DECK ASSEMBLY

| REF. NO. | PART NO. | DESCRIPTION | REF. NO. | PART NO. | DESCRIPTION |
|----------|------------|--------------------------------|----------|------------|----------------------------|
| 1 | 1530664 | 52" Cutter Deck | 50 | 8825098 | 1/2-20 Nylon Lock Nut |
| 2 | 1530671 | 52" Guard | 51 | 1525143 | 3/8-16 Nylon Lock Wingnut |
| 3 | 1541668 | Discharge Chute | 52 | 1520841-1 | Rubber Latch |
| 4 | 1530301 | Spindle Assembly | 53 | 1543887 | Caster Mount |
| 5 | 1520864 | Snap Ring | 54 | 1521541 | Flange Bushing |
| 6 | 1520866 | Snap Ring | 55 | 1541476 | Caster Spacer |
| 7 | 1541653 | Washer | 56 | 8820655 | Lynch Pin |
| 8 | 1541480 | Spindle Shaft | 57 | 1541702 | Caster Wheel Mount |
| 9 | 1520828 | Bearing | 58 | 1541657 | Sleeve |
| 10 | 1530293 | Aluminum Housing | 59 | 1525017-44 | 1/2-13 x 5-1/2" GD. 5 Bolt |
| 11 | 1520095 | Grease Fitting | 60 | 1521181 | Caster Wheel Assembly |
| 12 | 1541672 | Washer | 61 | 1521811-4 | Hub Complete (Stamped M) |
| 13 | 1550407-9 | Key 1/4" x 2-1/2" | -- | 1521262 | Hub Complete (Stamped T) |
| 14 | 1541477 | Blade Spacer | 62 | 1521729 | Grease Fitting |
| 15 | 1521227 | Blade | 63 | 1541655 | Roller Pin |
| 16 | 1525159 | 5/8" SAE Flat Washer | 64 | 1520785 | Roller |
| 17 | 1525019-76 | 5/8-11 x 9-1/2" GD. 5 Bolt | | | |
| 18 | 8825040 | 5/8-11 Hex Nut | | | |
| 19 | 1520819 | Hub | | | |
| 20 | 1520814 | Pulley | | | |
| 21 | 1521420 | Belt | | | |
| 22 | 1541478 | Pulley | | | |
| 23 | 1541484 | Spindle Spacer | | | |
| 24 | 1521096 | Idler Pulley | | | |
| 25 | 1521297 | Belt | | | |
| 26 | 8825018-18 | 1/2-20 x 2-1/4" GD. 5 Bolt | | | |
| 27 | 1521811 | 3/8" x 8" Eyebolt | | | |
| -- | 1541671 | Plated J-Bolt (before SN 1182) | | | |
| 28 | 1544610 | Idler Arm | | | |
| -- | 1541622 | Idler Arm (before SN 1182) | | | |
| 29 | 1525016-14 | 7/16-20 x 1-3/4" GD. 5 Bolt | | | |
| 30 | 1544098 | Idler Pulley | | | |
| 31 | 1543106 | Idler Pulley Bracket | | | |
| 32 | 1543105 | Idler Pulley Spacer | | | |
| 33 | 8825018-18 | 1/2-20 x 2-1/4" GD. 5 Bolt | | | |
| 34 | 1525018-24 | 1/2-20 x 3" GD. 5 Bolt | | | |
| 35 | 1543104 | Idler Arm w/ Bushing | | | |
| 36 | 1520876B | Brass Bushing | | | |
| 37 | 1542134 | Pivot Spacer | | | |
| 38 | 8825011-14 | 5/16-18 x 1-3/4" GD. 5 Bolt | | | |
| 39 | 1520863 | C-Clip | | | |
| 40 | 1525520-3 | Shim | | | |
| 41 | 1543102 | Idler Mount | | | |
| 42 | 1521103 | Spring | | | |
| 43 | 1542142 | Spring Anchor | | | |
| 44 | 8825141 | Eyebolt | | | |
| 45 | 1544685 | Idler Arm w/ Bushing | | | |
| 46 | 1521811 | 3/8" x 8" Eyebolt | | | |
| 47 | 1521168 | Insert | | | |
| 48 | 8825034 | 3/8-16 Hex Nut | | | |
| 49 | 1525150 | 1/2" USS Flat Washer | | | |

61" CUTTER DECK ASSEMBLY

SN: 1305 & UP

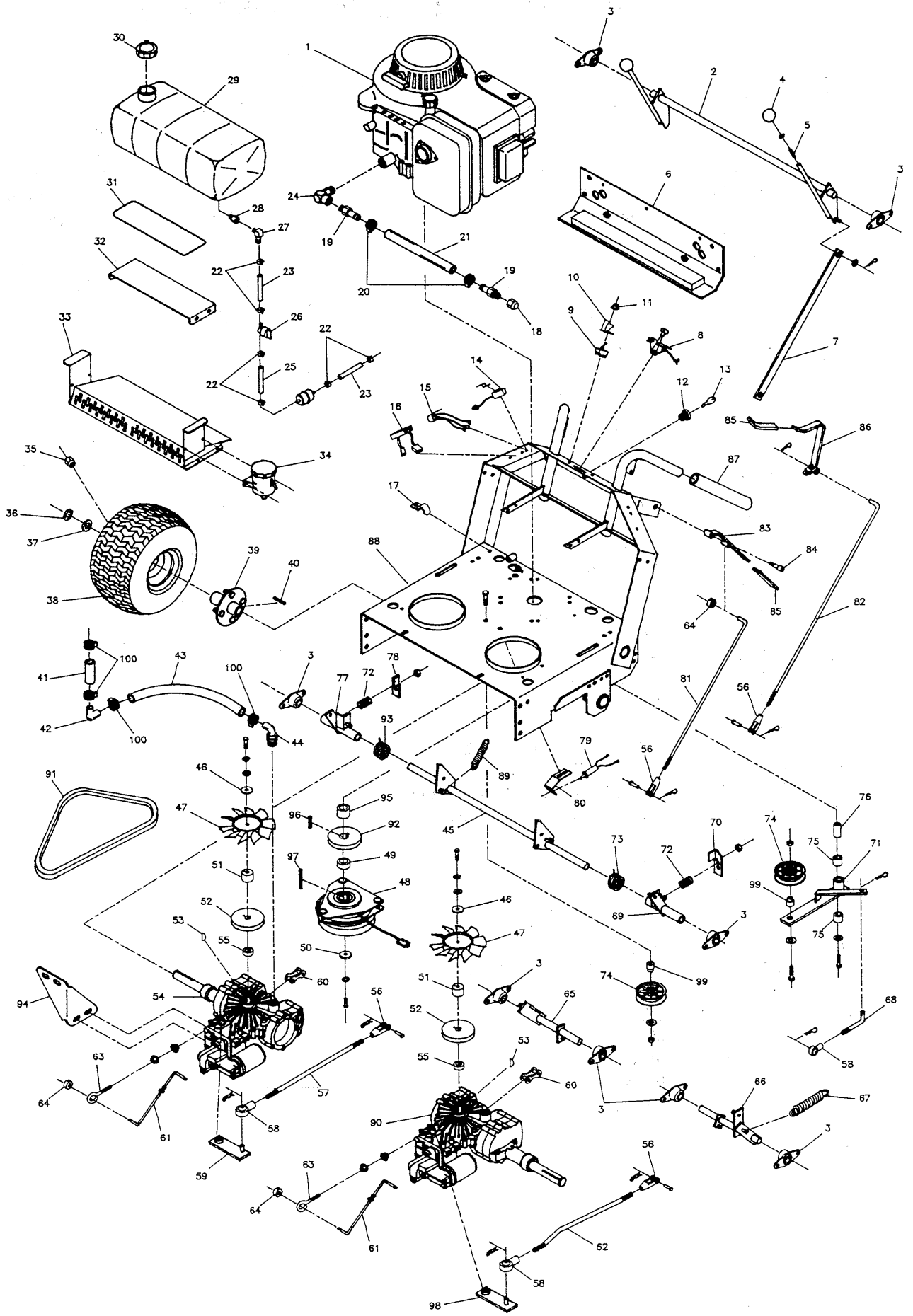


61" CUTTER DECK ASSEMBLY

| REF. NO. | PART NO. | DESCRIPTION | REF. NO. | PART NO. | DESCRIPTION |
|----------|------------|---------------------------------------|----------|------------|----------------------------|
| 1 | 1530724 | 61" Cutter Deck | 44 | 1520863 | C-Clip |
| 2 | 1530725 | 61" Guard | 45 | 1544687 | Idler Arm w/ Bushing |
| 3 | 1541668 | Discharge Chute | 46 | 1521168 | Insert |
| 4 | 1530301 | Spindle Assembly | 47 | 1542142 | Spring Anchor |
| 5 | 1520864 | Snap Ring | 48 | 1521811 | 3/8" x 8" Eyebolt |
| 6 | 1520866 | Snap Ring | 49 | 8825034 | 3/8-16 Hex Nut |
| 7 | 1541653 | Washer | 50 | 1525143 | 3/8-16 Nylon Lock Wingnut |
| 8 | 1541480 | Spindle Shaft | 51 | 1525150 | 1/2" USS Flat Washer |
| 9 | 1520828 | Bearing | 52 | 8825098 | 1/2-20 Nylon Lock Nut |
| 10 | 1530293 | Aluminum Housing | 53 | 1543102 | Idler Mount |
| 11 | 1520095 | Grease Fitting | 54 | 1521103 | Spring |
| 12 | 1541672 | Washer | -- | 1520943 | Turnbuckle (SN 274-1304) |
| 13 | 1550407-9 | Key 1/4" x 2-1/2" | 55 | 8825141 | Eyebolt |
| 14 | 1541477 | Blade Spacer | 56 | 1520841-1 | Rubber Latch |
| 15 | 1520842 | Blade | 57 | 1520824 | Belt |
| 16 | 1525159 | 5/8" SAE Flat Washer | 58 | 1543887 | Caster Mount |
| 17 | 1525019-76 | 5/8-11 x 9-1/2" GD. 5 Bolt | 59 | 1521541 | Flange Bushing |
| 18 | 8825040 | 5/8-11 Hex Nut | 60 | 1541476 | Caster Spacer |
| 19 | 1520819 | Hub | 61 | 8820655 | Lynch Pin |
| 20 | 1520814 | Pulley | 62 | 1541702 | Caster Wheel Mount |
| 21 | 1541578 | Pulley | 63 | 1541657 | Sleeve |
| 22 | 1541484 | Spindle Spacer | 64 | 1525017-44 | 1/2-13 x 5-1/2" GD. 5 Bolt |
| 23 | 1521510 | Belt | 65 | 1521181 | Caster Wheel Complete |
| 24 | 1530819 | Idler Pulley (Complete) | 66 | 1521181-4 | Hub Complete (Stamped M) |
| -- | 1541481 | Idler Pulley Only | -- | 1521262 | Hub Complete (Stamped T) |
| 25 | 1520827 | Bearing | 67 | 1521729 | Grease Fitting |
| 26 | 1520870 | Bearing Insert | 68 | 1541655 | Roller Pin |
| 27 | 1520865 | Snap Ring | 69 | 1520785 | Roller |
| 28 | 1525018-18 | 1/2-20 x 2-1/4" GD. 5 Bolt | | | |
| -- | 1525018-14 | 1/2-20 x 1-3/4" Bolt (before SN 1305) | | | |
| 29 | 8825158 | 1/2" SAE Washer (SN 1305 & up) | | | |
| 30 | 1525150 | 1/2" USS Washer (SN 1305 & up) | | | |
| 31 | 1544609 | Idler Spacer (SN 1305 & up) | | | |
| 32 | 1521811 | 3/8" x 8" Eyebolt | | | |
| -- | 1541671 | Plated J-Bolt | | | |
| 33 | 1544610 | Idler Arm | | | |
| -- | 1541622 | Idler Arm (before SN 1305) | | | |
| 34 | 1525016-14 | 7/16-20 x 1-3/4" GD. 5 Bolt | | | |
| 35 | 1544099 | Idler Pulley | | | |
| 36 | 8825018-18 | 1/2-20 x 2-1/4" GD. 5 Bolt | | | |
| 37 | 1544098 | Idler Pulley | | | |
| 38 | 1525018-24 | 1/2-20 x 3" GD. 5 Bolt | | | |
| 39 | 1543104 | Idler Arm | | | |
| -- | 1544452 | Idler Arm (SN 274-1304) | | | |
| 40 | 1520876B | Brass Bushing | | | |
| 41 | 1542134 | Pivot Spacer | | | |
| 42 | 8825011-14 | 5/16-18 x 1-3/4" GD. 5 Bolt | | | |
| 43 | 1525520-3 | Shim | | | |

SINGLE PIECE ENGINE DECK ASSEMBLY

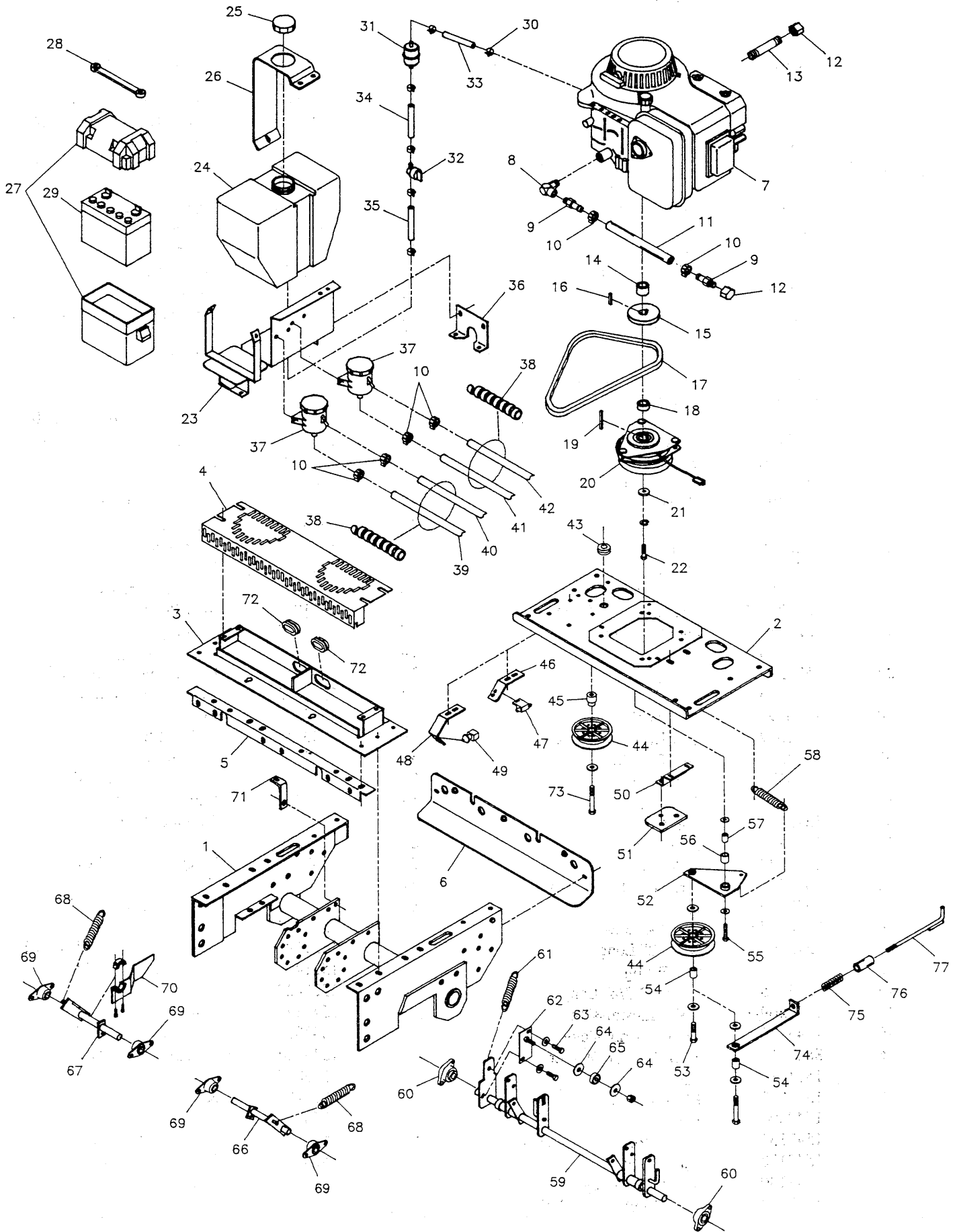
PG. 7



SINGLE PIECE ENGINE DECK ASSEMBLY

| REF. NO. | PART NO. | DESCRIPTION | REF. NO. | PART NO. | DESCRIPTION |
|----------|------------|-------------------------------|----------|------------|----------------------------------|
| 1 | 1521404 | Kawasaki 14 HP | 53 | 1521084 | Key |
| 2 | 1543084 | Brake Lever Weldment | 54 | 1521393 | Transmission B Side (SN 101-148) |
| 3 | 1521098 | 3/4" Bearing | -- | 1521423 | Transmission B Side (SN 149-235) |
| 4 | 1510551 | Knob | 55 | 1542120 | 3/4" ID Spacer (SN 101-148) |
| 5 | 8825117-8 | 5/16-18 Threaded Stud | -- | 1543088 | 17MM Spacer (SN 149-235) |
| 6 | 1543192 | Rear Bumper/Guard | 56 | 1520979 | Clevis |
| 7 | 1543083 | Brake Push Rod | 57 | 1543168 | Transmission Control Rod Right |
| 8 | 1521151 | Throttle Cable | 58 | 1521146 | Ball Joint |
| 9 | 1521213 | Switch | 59 | 1543078 | Control Arm Right |
| 10 | 1521093 | Switch Guard | 60 | 1521526 | 20/50 Connecting Link |
| 11 | 1520831 | Switch Boot | 61 | 1543174 | Dump Valve Lever |
| 12 | 1521275 | Key Switch | 62 | 1543169 | Transmission Control Rod Left |
| 13 | 1520878 | Ignition Key | 63 | 1525189-32 | Eye Bolt |
| 14 | ----- | Condenser, Kawi. #12013-2064 | 64 | 8820047 | Set Collar |
| -- | 1543134 | Condenser Mount (not shown) | 65 | 1543141 | Brake Shaft Right (SN 101-148) |
| 15 | 1543322 | Interlock | -- | 1543349 | Brake Shaft Right (SN 149-235) |
| 16 | ----- | Regulator, Kawi. #21066-2071 | 66 | 1543137 | Brake Shaft Left (SN 101-148) |
| 17 | 1521149 | Clamp | -- | 1543350 | Brake Shaft Left (SN 149-235) |
| 18 | 1521466 | Brass Cap | 67 | 1521103 | Spring |
| 19 | 1521372 | Straight Fitting | 68 | 1543085 | Adjustment Link |
| 20 | 1521392 | Clamp | 69 | 1543148 | Reverse Weldment Left |
| 21 | 1550857-17 | 1/2" Hose, 17" Long | 70 | 1543153 | Adjustment Lever Left |
| 22 | 1520835 | Clamp | 71 | 1543157 | Idler Arm |
| 23 | 1550831-4 | Fuel Line, 4" Long | 72 | 1543089 | Spring |
| 24 | 1521465 | 90° Fitting | 73 | 1543090 | Torsion Spring Left |
| 25 | 1550831-40 | Fuel Line, 40" Long | 74 | 1521002 | Idler Pulley |
| 26 | 1521235 | Fuel Shut Off | 75 | 1520875 | Bushing |
| 27 | 1521240 | 90° Fitting | 76 | 1543346 | Pivot Bushing |
| 28 | 1521239 | Fitting | 77 | 1543154 | Reverse Weldment Right |
| 29 | 1520796 | Fuel Tank | 78 | 1543155 | Adjustment Link Right |
| 30 | 1520797 | Fuel Tank Cap | 79 | 1542769 | Switch |
| 31 | 1542029 | Gas Tank Safety Walk | 80 | 1543117 | Switch Mount |
| 32 | 1543351 | Gas Tank Mount | 81 | 1543178 | Reverse Rod |
| 33 | 1543170 | Fan Cover | 82 | 1543183 | Thumb Control Rod |
| 34 | 1521384 | Reservoir | 83 | 1543184 | Reverse Lever |
| 35 | 1520601 | Lug Nut | 84 | 1525220 | Shoulder Bolt |
| 36 | 1521210 | Snap Ring | 85 | 1525510 | Grip |
| 37 | 1520928 | Axle Washer | 86 | 1543180 | Thumb Control Lever |
| 38 | 1521045 | Tire/Wheel Assembly | 87 | 1520837 | Grip |
| 39 | 1543070 | Hub | 88 | 1530673 | Engine Deck |
| 40 | 8850407-9 | Key 1/4" x 2-1/2" | 89 | 1520807 | Spring |
| 41 | 1543163 | Hose, 2" Long | 90 | 1521394 | Transmission A Side (SN 101-148) |
| 42 | 1521395 | 90° Fitting | -- | 1521424 | Transmission A Side (SN 149-235) |
| 43 | 1543165 | Hose, 12-3/4" Long | 91 | 1521427 | Belt |
| 44 | 1521469-1 | 5/8" Transmission Fitting | 92 | 1542129 | Pulley |
| 45 | 1543145 | Control Arm Weldment | 93 | 1543091 | Torsion Spring Right |
| 46 | 8825164 | 5/16" Fender Washer | 94 | 1543124 | Transmission Brace |
| 47 | 1521081 | Fan | 95 | 1543086 | Spacer |
| 48 | 1521083 | Electric Clutch | 96 | 1550407-10 | Key |
| 49 | 1542304 | Spacer | 97 | 1550407-1 | Key |
| 50 | 1542132 | Clutch Retaining Washer | 98 | 1543093 | Control Arm Left |
| 51 | 1542128 | Fan Spacer | 99 | 1520923 | Shoulder Spacer |
| 52 | 1542130 | 3/4" Bore Pulley (SN 101-148) | 100 | 1521164 | Clamp |
| -- | 1543073 | 17MM Pulley (SN 149-235) | | | |

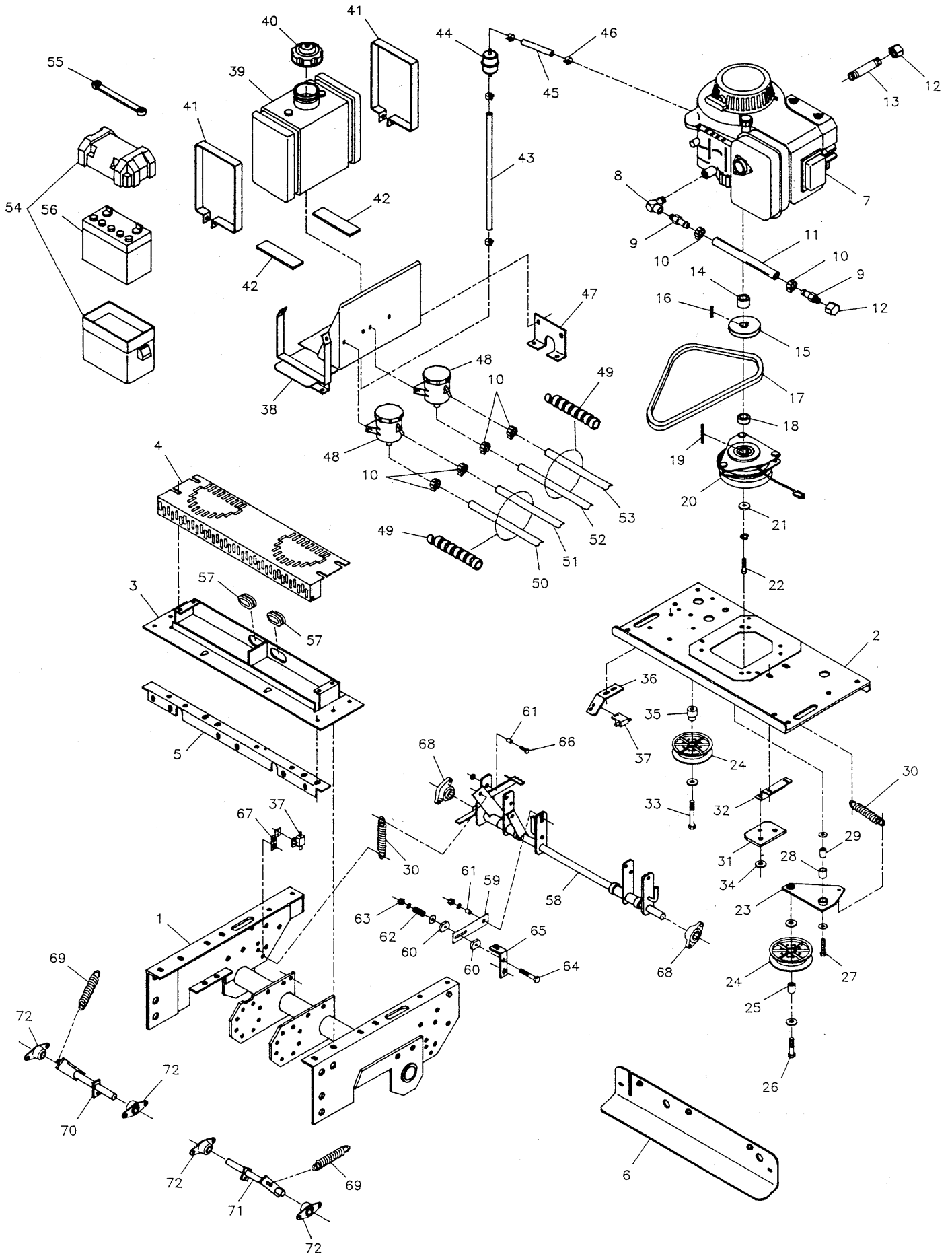
MULTI-PIECE ENGINE DECK ASSEMBLY



MULTI-PIECE ENGINE DECK ASSEMBLY

| REF. NO. | PART NO. | DESCRIPTION | REF. NO. | PART NO. | DESCRIPTION |
|----------|------------|--------------------------------------|----------|------------|---|
| 1 | 1543467 | Engine Deck Weldment | 44 | 1521002 | Idler Pulley |
| 2 | 1530714 | Engine Deck Plate | 45 | 1521168 | 1/2" Shoulder Insert |
| 3 | 1543466 | Fan Shroud | 46 | 1543470 | Switch Mount |
| 4 | 1543445 | Fan Cover | 47 | 1521451 | Plunger Switch |
| 5 | 1543474 | Deck Support | -- | 1521769 | Plunger Switch (Kohler) |
| 6 | 1543515 | Engine Deck Back Plate | 48 | 1544454 | Switch Mount Plate (Briggs Only) |
| 7 | 1521404 | Kawasaki 14 HP | 49 | 1521765 | Parking Brake Switch (Briggs Only) |
| -- | 1521501 | Kawasaki 17 HP | 50 | 1544441 | Clutch Anchor |
| -- | 1521310 | Briggs & Stratton 18 HP | 51 | 1543636 | Clutch Anti-Rotation Pad |
| -- | 1521865 | Kohler 14 HP | 52 | 1543473 | Idler Mount |
| 8 | 1521465 | 90° Fitting | 53 | 1525018-12 | 1/2-20 x 1-1/2" GD. 5 Bolt |
| 9 | 1521372 | Straight Fitting | 54 | 1520870 | Insert |
| 10 | 1521392 | Hose Clamp | 55 | 8825011-12 | 5/16-18 x 1-1/2" GD. 5 Bolt |
| 11 | 1550857-18 | 1/2" Hose, 18" Long | 56 | 1520876B | Brass Bushing |
| 12 | 1521466 | Cap | 57 | 1542134 | Pivot Spacer |
| 13 | 1521122 | Nipple (Briggs & Kohler) | 58 | 1520807 | Spring |
| 14 | 1543518 | Crank Shaft Spacer | 59 | 1543503 | Control Shaft |
| 15 | 1542129 | Pulley | 60 | 1521499 | Bearing |
| 16 | 1550407-10 | 1/4" x 5/8" Key | 61 | 1520807 | Spring (before SN 1102) |
| 17 | 1521427 | Belt | 62 | 1544597 | Lock Mount Plate (SN 1102 & up) |
| 18 | 8825162 | 1" SAE Flat Washer | 63 | 8825010-6 | 1/4-20 x 3/4" GD. 5 Bolt (SN 1102 & up) |
| 19 | 1550407-1 | Key 1/4" x 1" | 64 | 1525165 | 3/8" Fender Washer (SN 1102 & up) |
| 20 | 1521083 | Electric Clutch | 65 | 1521807 | Bearing (SN 1102 & up) |
| 21 | 1542132 | Retaining Spacer | 66 | 1543435 | Brake Shaft Left |
| 22 | 1525243 | M10 x 70 Bolt | 67 | 1543349 | Brake Shaft Right |
| 23 | 1530707 | Gas Tank Mount (Electric) | 68 | 1521103 | Spring |
| -- | 1530705 | Gas Tank Mount (Manual) | 69 | 1521098 | Bronze Bearing |
| 24 | 1521437 | Fuel Tank | 70 | 1544598 | Neutral Lock Plate (SN 1102 & up) |
| 25 | 1521468 | Gas Cap | 71 | 1543510 | Deck Support |
| 26 | 1543312 | Fuel Tank Strap | 72 | 1521397 | Grommet |
| 27 | 1521666 | Battery Box w/ Cover | 73 | 8825018-20 | 1/2-20 x 2-1/4" GD. 5 Bolt |
| 28 | 1521670 | Rubber Strap | 74 | 1543481 | Belt Disengagement Link |
| 29 | ----- | 12 Volt Battery (dealer supplied) | 75 | 1521004 | Spring |
| 30 | 1520835 | Fuel Line Clamp | 76 | 1550848-7 | 5/8" Hose, 1-5/16" Long |
| 31 | 1521178-3 | Fuel Filter | 77 | 1543480 | Belt Disengagement Rod |
| 32 | 1521235 | Fuel Shut Off | | | |
| 33 | 1550831-3 | Fuel Line, 3" Long (Kawasaki) | | | |
| -- | 1550831-4 | Fuel Line, 4" Long (Kohler) | | | |
| -- | ----- | Fuel Line (supplied by Briggs) | | | |
| 34 | 1550831-3 | Fuel Line, 3" Long (Kawasaki) | | | |
| -- | 1550831-7 | Fuel Line, 7" Long (Kohler) | | | |
| -- | 1550831-4 | Fuel Line, 4" Long (Briggs) | | | |
| 35 | 1550831-11 | Fuel Line, 11" Long (Kawasaki) | | | |
| -- | 1550831-9 | Fuel Line, 9" Long (Kohler) | | | |
| -- | 1550831-12 | Fuel Line, 12" Long (Briggs) | | | |
| 36 | 1543477 | Tank Leg Mount | | | |
| 37 | 1521491 | Reservoir | | | |
| 38 | 1550837-10 | Protective Coil, 10" Long | | | |
| 39 | 1550860-35 | Inlet Hose, Right Transmission, 35" | | | |
| 40 | 1550860-43 | Return Hose, Right Transmission, 43" | | | |
| 41 | 1550860-26 | Inlet Hose, Left Transmission, 26" | | | |
| 42 | 1550860-37 | Return Hose, Left Transmission, 37" | | | |
| 43 | 1521077 | Grommet | | | |

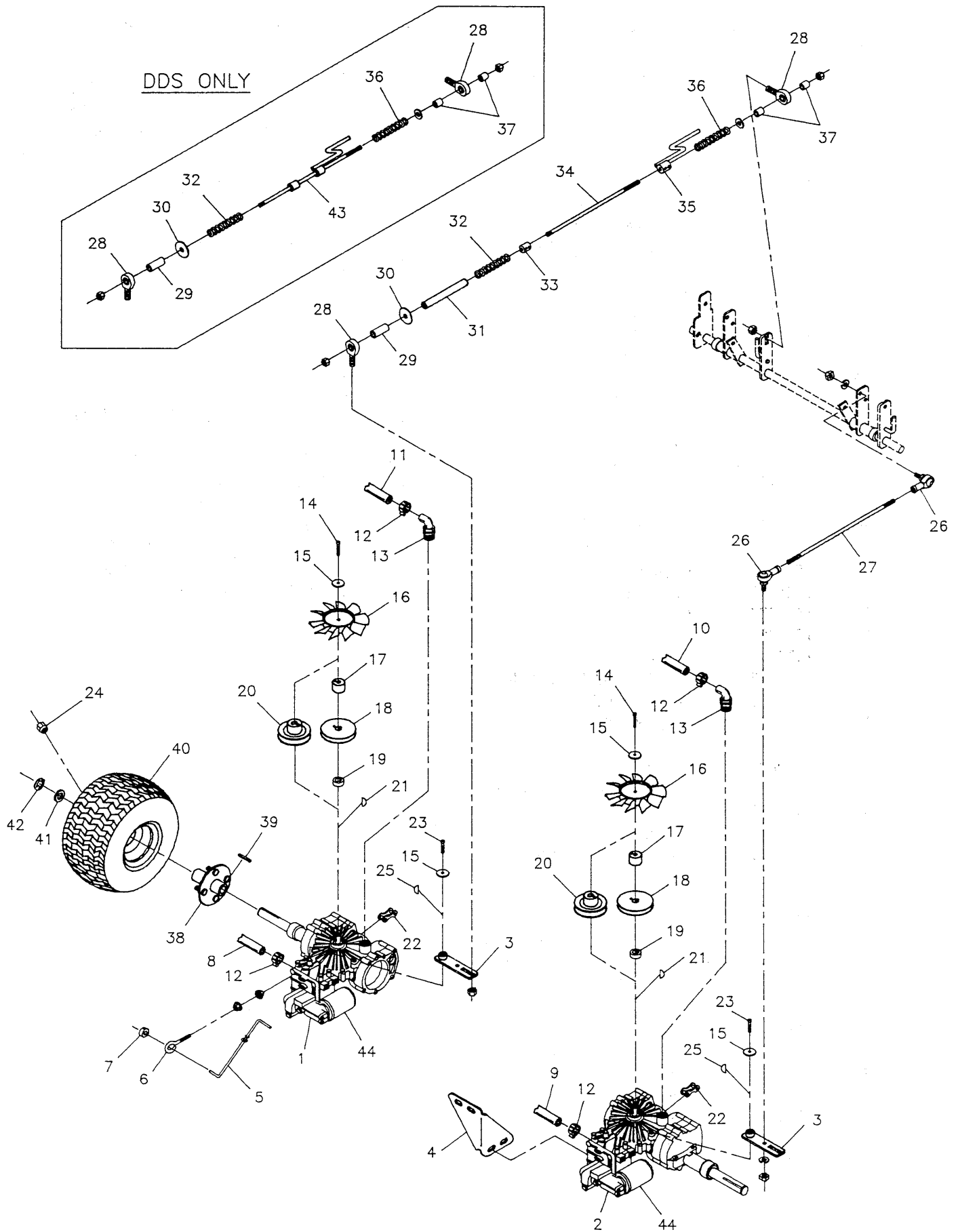
DDS ENGINE DECK ASSEMBLY



DDS ENGINE DECK ASSEMBLY

| REF. NO. | PART NO. | DESCRIPTION | REF. NO. | PART NO. | DESCRIPTION |
|----------|------------|---------------------------------|----------|------------|--------------------------------------|
| 1 | 1543467 | Engine Deck Weldment | 48 | 1521491 | Reservoir |
| 2 | 1544699 | Engine Deck Plate | 49 | 1550837-10 | Protective Coil, 10" Long |
| 3 | 1543466 | Fan Shroud | 50 | 1550860-35 | Inlet Hose, Right Transmission, 35" |
| 4 | 1543445 | Fan Cover | 51 | 1550860-43 | Return Hose, Right Transmission, 43" |
| 5 | 1543474 | Deck Support | 52 | 1550860-26 | Inlet Hose, Left Transmission, 26" |
| 6 | 1544700 | Engine Deck Back Plate | 53 | 1550860-37 | Return Hose, Left Transmission, 37" |
| 7 | 1521404 | Kawasaki 14 HP | 54 | 1521666 | Battery Box w/ Cover |
| -- | 1521501 | Kawasaki 17 HP | 55 | 1521670 | Rubber Strap |
| -- | 1521310 | Briggs & Stratton 18 HP | 56 | ----- | 12 Volt Battery |
| -- | 1521865 | Kohler 14 HP | 57 | 1521397 | Grommet |
| 8 | 1521465 | 90° Fitting | 58 | 1531035 | Control Shaft |
| 9 | 1521372 | Straight Fitting | 59 | 1544716 | Friction Plate |
| 10 | 1521392 | Hose Clamp | 60 | 1544726 | Brake Puck |
| 11 | 1550857-18 | 1/2" Hose, 18" Long | 61 | 1541600 | Spacer |
| 12 | 1521466 | Cap | 62 | 1521773 | Spring |
| 13 | 1521122 | Nipple (Briggs & Kohler) | 63 | 8825057 | 5/16-18 Nylon Lock Nut |
| 14 | 1543518 | Crank Shaft Spacer | 64 | 1525011-25 | 5/16-18 x 3" GD. 5 Bolt |
| 15 | 1542129 | Pulley | 65 | 1544702 | Engine Deck Support |
| 16 | 1550407-10 | Key 1/4" x 5/8" | 66 | 8825013-8 | 3/8-16 x 1" GD. 5 Bolt |
| 17 | 1521427 | Belt | 67 | 1544710 | Switch Mount |
| 18 | 8825162 | 1" SAE Flat Washer | 68 | 1521499 | Bearing |
| 19 | 1550407-1 | Key 1/4" x 1" | 69 | 1521103 | Spring |
| 20 | 1521083 | Electric Clutch | 70 | 1543349 | Brake Shaft Left |
| 21 | 1542132 | Retaining Spacer | 71 | 1543435 | Brake Shaft Right |
| 22 | 1525243 | M10 x 70 Bolt | 72 | 1521098 | Bronze Bearing |
| 23 | 1543473 | Idler Mount | | | |
| 24 | 1521002 | Idler Pulley | | | |
| 25 | 1520870 | Insert | | | |
| 26 | 1525018-12 | 1/2-20 x 1-1/2" GD. 5 Bolt | | | |
| 27 | 8825011-14 | 5/16-18 x 1-3/4" GD. 5 Bolt | | | |
| 28 | 1520876B | Brass Bushing | | | |
| 29 | 1542134 | Pivot Spacer | | | |
| 30 | 1520807 | Spring | | | |
| 31 | 1543636 | Clutch Anti-Rotational Pad | | | |
| 32 | 1544441 | Clutch Anchor | | | |
| 33 | 8825018-20 | 1/2-20 x 2-1/4" GD. 5 Bolt | | | |
| 34 | 1544617 | Clutch Anchor Washer | | | |
| 35 | 1521168 | Insert | | | |
| 36 | 1543470 | Switch Mount | | | |
| 37 | 1521769 | Plunger Switch N.C. | | | |
| 38 | 1531041 | Gas Tank Mount (Electric Start) | | | |
| -- | 1531042 | Gas Tank Mount (Manual Start) | | | |
| 39 | 1521869 | 5 Gallon Fuel Tank | | | |
| 40 | 1521866 | Gas Cap | | | |
| 41 | 1544694 | Fuel Tank Strap | | | |
| 42 | 1521877 | Rubber Gas Tank Pad | | | |
| 43 | 1550831-18 | 1/4" Fuel Line, 18" Long | | | |
| 44 | 1521178-3 | Fuel Filter | | | |
| 45 | 1550831-4 | 1/4" Fuel Line, 4" Long | | | |
| 46 | 1520835 | Fuel Line Clamp | | | |
| 47 | 1543477 | Gas Tank Mount Leg | | | |

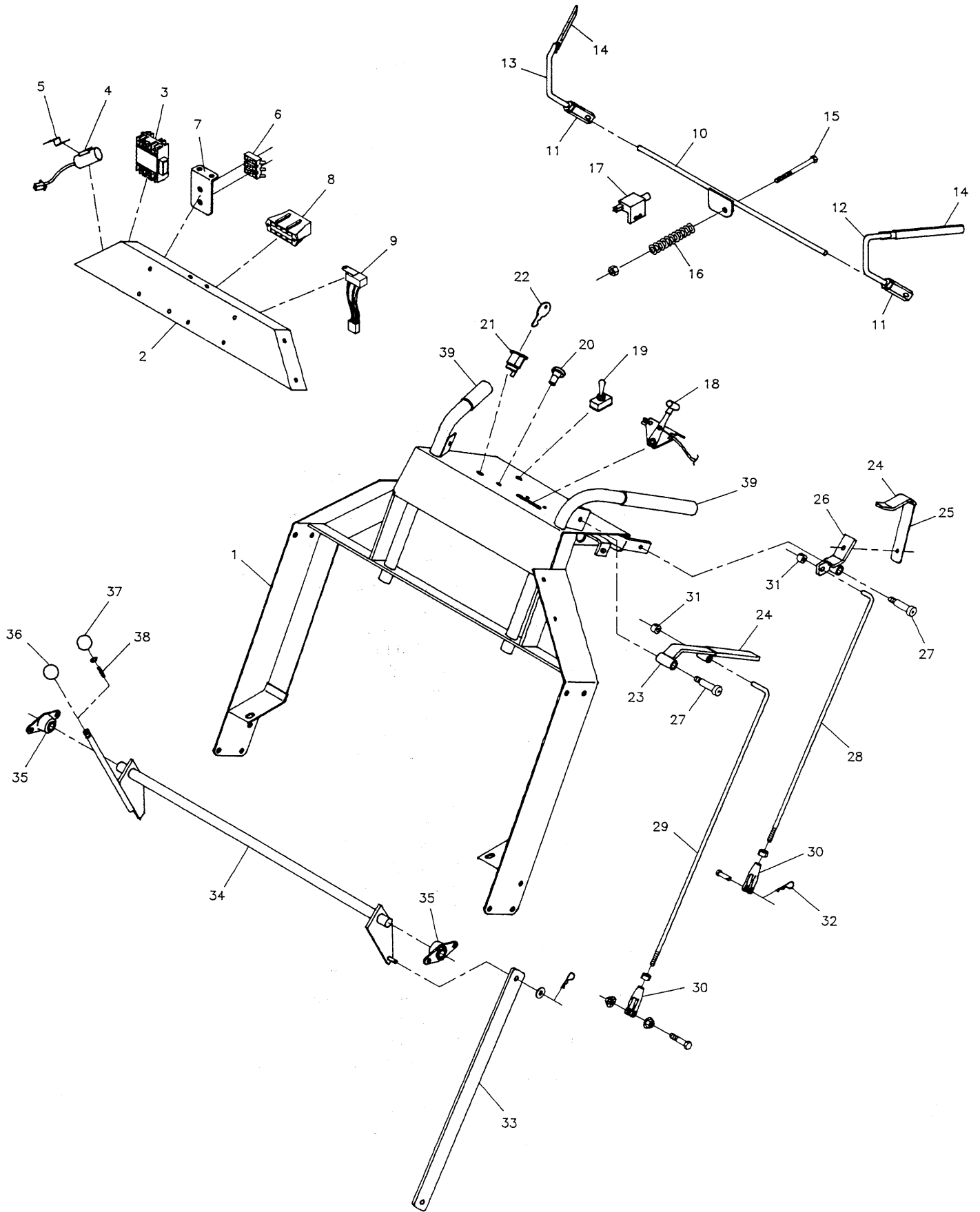
TRANSMISSION ASSEMBLY



TRANSMISSION ASSEMBLY

| REF. NO. | PART NO. | DESCRIPTION |
|----------|------------|---|
| 1 | 1521423 | Transmission Right Side |
| 2 | 1521424 | Transmission Left Side |
| 3 | 1543442 | Stroke Arm |
| 4 | 1543124 | Transmission Brace |
| 5 | 1543454 | Dump Valve Lever |
| 6 | 1525189-32 | 1/4" x 4" Eyebolt |
| 7 | 8820047 | 5/16" Set Collar |
| 8 | 1550860-35 | Inlet Hose, Right Transmission, 35" |
| 9 | 1550860-26 | Inlet Hose, Left Transmission, 26" |
| 10 | 1550860-37 | Return Hose, Left Transmission, 37" |
| 11 | 1550860-43 | Return Hose, Right Transmission, 43" |
| 12 | 1521392 | Hose Clamp |
| 13 | 1521432-1 | 90° Fitting |
| 14 | 1525268 | 1/4-20 x 1-3/4" Allen Screw |
| 15 | 1544577 | Transmission Fan Washer |
| 16 | 1521081 | Fan |
| 17 | 1542128 | Fan Spacer |
| 18 | 1543073 | Pulley |
| - | 1543647 | Pulley (SN 628 & up) |
| 19 | 1543088 | Input Pulley Spacer |
| 20 | 1543647 | Transmission Input Pulley |
| 21 | 1521839 | Hi-Pro Woodruff Key |
| 22 | 1521426 | 50/20 Connecting Link |
| 23 | 1525269 | 1/4-20 x 1-1/2" Allen Screw |
| 24 | 8820601 | Lug Nut |
| 25 | 8820149 | #3 Woodruff Key |
| 26 | 1521170 | Rod End Ball Joint |
| 27 | 1543458 | Reverse Rod |
| 28 | 1543500 | Ball Joint |
| 29 | 1543296 | Brass Bushing |
| - | 1522036 | Brass Bushing (SN: 649 & up) |
| 30 | 8825164 | 5/16" Fender Washer |
| 31 | 1543460 | Spring Guide |
| 32 | 1521494 | Spring |
| - | 1522035 | Spring (SN: 649 & up) |
| 33 | 1543439 | Double Set Collar |
| 34 | 1543459 | Control Rod |
| 35 | 1543502 | Anti-Rotation Weldment |
| 36 | 8820006 | Spring |
| 37 | 1541600 | Spacer |
| 38 | 1543070 | Hub |
| 39 | 1550407-9 | Key 1/4" x 2-1/2" |
| 40 | 1521045 | Tire/Wheel Assembly |
| - | 1521074 | Tire Only |
| - | 1521075 | Rim Only |
| 40A | 1521207 | Tire/Wheel Assembly (DD48 & DDS48 only) |
| 41 | 1520929 | 1/8" Shim |
| 42 | 1521210 | Retaining Ring |
| 43 | 1544729 | Stroke Arm Rod |
| 44 | 1521068-1 | Filter |

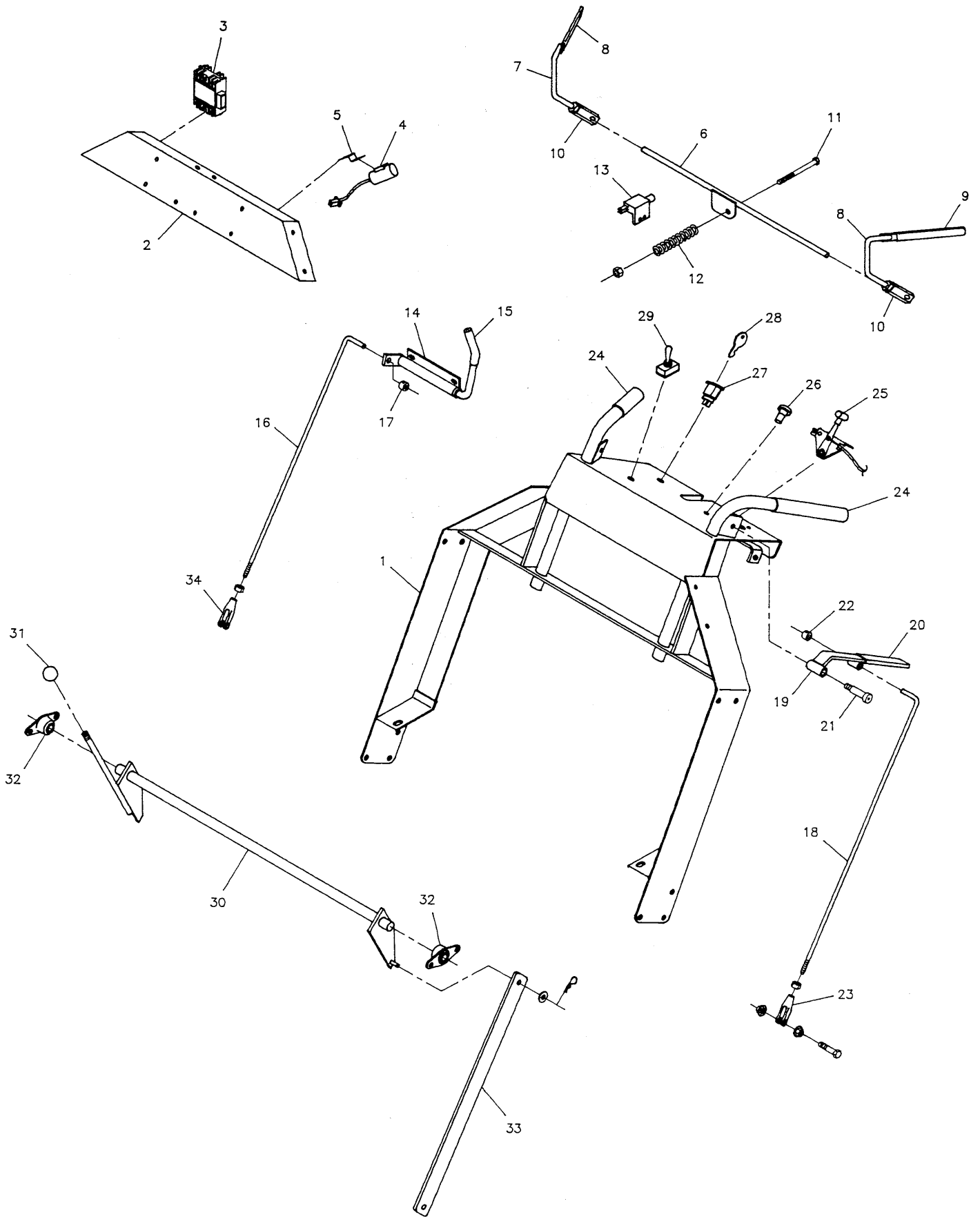
HANDLE BAR ASSEMBLY



HANDLE BAR ASSEMBLY

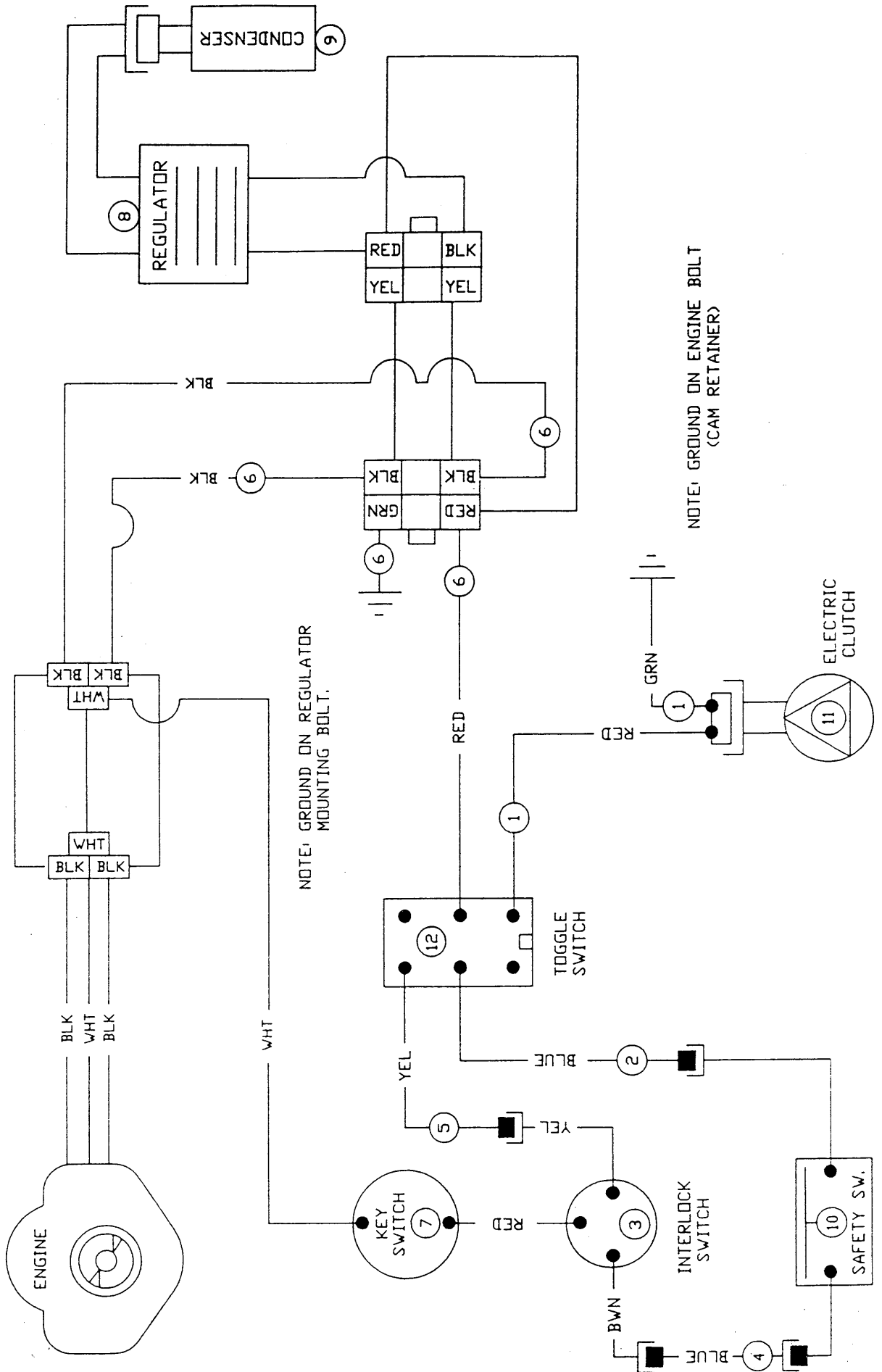
| REF. NO. | PART NO. | DESCRIPTION |
|----------|------------|--|
| 1 | 1530706 | Handle Bar Weldment |
| 2 | 1543516 | Handle Bar Cover |
| 3 | ----- | 14 HP Regulator, Kawasaki #21066-2071 |
| -- | ----- | 17 HP Regulator, Kawasaki #21066-2070 |
| 4 | ----- | Condenser, Kawasaki #21013-2064 (14 HP only) |
| 5 | 1544674 | Condenser Hold Down |
| 6 | 1520918 | Fuse Block (Glass type) |
| 7 | 1542511 | Fuse Block Mount (w/ 1520918 only) |
| 8 | 1521518 | Fuse Block (Blade type) |
| 9 | 1521452 | Interlock |
| 10 | 1543424 | Switch Rod |
| 11 | 1543417 | Hex Adjuster |
| 12 | 1543425L | Operator Presence Left w/ Grip |
| 13 | 1543425R | Operator Presence Right w/ Grip |
| 14 | 1521490 | Grip |
| 15 | 1525010-24 | 1/4-20 x 3" GD. 5 Bolt |
| 16 | 8820637 | Spring |
| 17 | 1521451 | Plunger Switch |
| -- | 1521769 | Plunger Switch (Briggs & Kohler) |
| 18 | 1521151 | Throttle Cable |
| -- | 1521662 | Throttle Cable (Briggs) |
| 19 | 1521545 | Electric Clutch Switch |
| -- | 1521213 | Switch (not shown) |
| -- | 1521093 | Switch Cover (not shown) |
| 20 | 1520810 | Choke Cable (Briggs) |
| 21 | 1521275 | Key Switch (14 HP Kawasaki) |
| -- | 1520836 | Key Switch (17 HP Kawasaki) |
| -- | 1520927 | Key Switch (Briggs & Kohler) |
| 22 | 1520878 | Ignition Key |
| 23 | 1543184 | Reverse Lever w/ Grip |
| 24 | 1525510 | Grip |
| 25 | 1543495 | Thumb Control w/ Grip |
| 26 | 1543576 | Thumb Control Pivot |
| 27 | 1525220 | 1/2" x 1-1/2" Shoulder Bolt |
| 28 | 1543462 | Thumb Control Rod |
| 29 | 1543461 | Reversing Rod |
| 30 | 1520979 | Clevis |
| 31 | 8820047 | 5/16" Set Collar |
| 32 | 1525210 | Hair Pin |
| 33 | 1543452 | Brake Push Rod |
| 34 | 1543084 | Brake Lever |
| 35 | 1521098 | Bearing |
| 36 | 1521733 | Knob (1/2" Thread) |
| 37 | 1510551 | Knob (5/16" Thread) |
| 38 | 1525117-8 | 5/16-18 Threaded Stud |
| 39 | 1520837 | Grip |

DDS HANDLE BAR ASSEMBLY



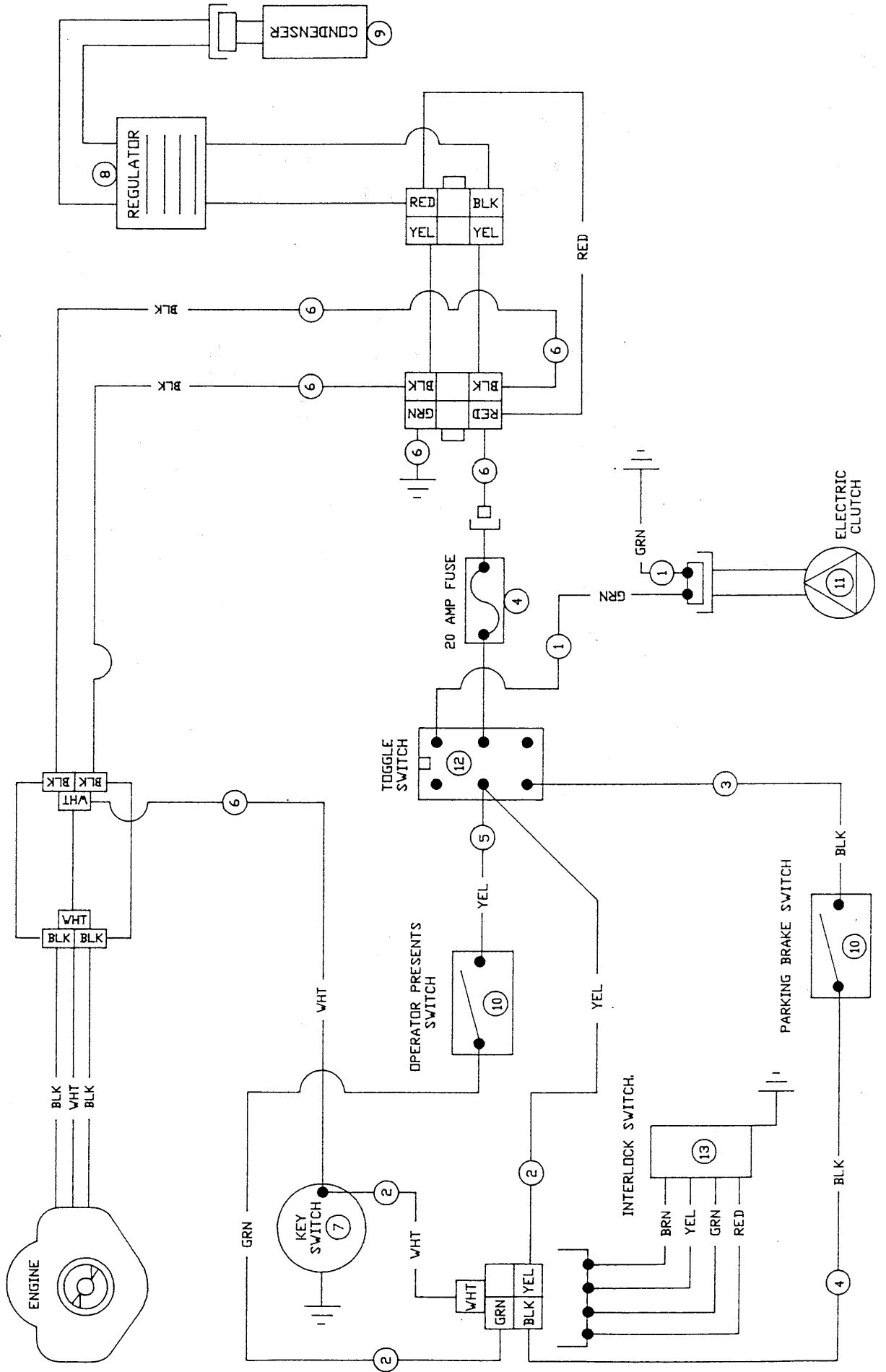
DDS HANDLE BAR ASSEMBLY

| REF. NO. | PART NO. | DESCRIPTION |
|----------|------------|--|
| 1 | 1531013 | Handle Bar Weldment |
| 2 | 1543516 | Handle Bar Cover |
| 3 | ----- | 14 HP Regulator, Kawasaki #21066-2071 |
| -- | ----- | 17 HP Regulator, Kawasaki #21006-2070 |
| 4 | ----- | Condenser, Kawasaki #21013-2064 (14 HP only) |
| 5 | 1544674 | Condenser Hold Down |
| 6 | 1543424 | Switch Rod |
| 7 | 1543425R | Operator Presence Right w/ Grip |
| 8 | 1543425L | Operator Presence Left w/ Grip |
| 9 | 1521490 | Grip |
| 10 | 1543417 | Hex Adjuster |
| 11 | 1525010-24 | 1/4-20 x 3" GD. 5 Bolt |
| 12 | 8820637 | Spring |
| 13 | 1521769 | Plunger Switch |
| 14 | 1544715 | Control Lever |
| 15 | 1521880 | Grip |
| 16 | 1544717 | Forward Rod |
| 17 | 8810546 | 3/8" Set Collar |
| 18 | 1543461 | Reversing Rod |
| 19 | 1543184 | Reverse Lever w/ Grip |
| 20 | 1525510 | Grip |
| 21 | 1525220 | 1/2" x 1-1/2" Shoulder Bolt |
| 22 | 8820047 | 5/16" Set Collar |
| 23 | 1520979 | Clevis |
| 24 | 1520837 | Grip |
| 25 | 1521151 | Throttle Cable |
| -- | 1521662 | Throttle Cable (Briggs) |
| 26 | 1520810 | Choke Cable (Briggs) |
| 27 | 1521842 | Key Switch (14 HP Kawasaki only) |
| -- | 1520927 | Key Switch |
| 28 | 1520878 | Ignition Key |
| 29 | 1521545 | Electric Clutch Switch |
| 30 | 1543084 | Brake Lever |
| 31 | 1521733 | Knob |
| 32 | 1521098 | Bearing |
| 33 | 1543452 | Brake Push Rod |
| 34 | 1521171 | Clevis |



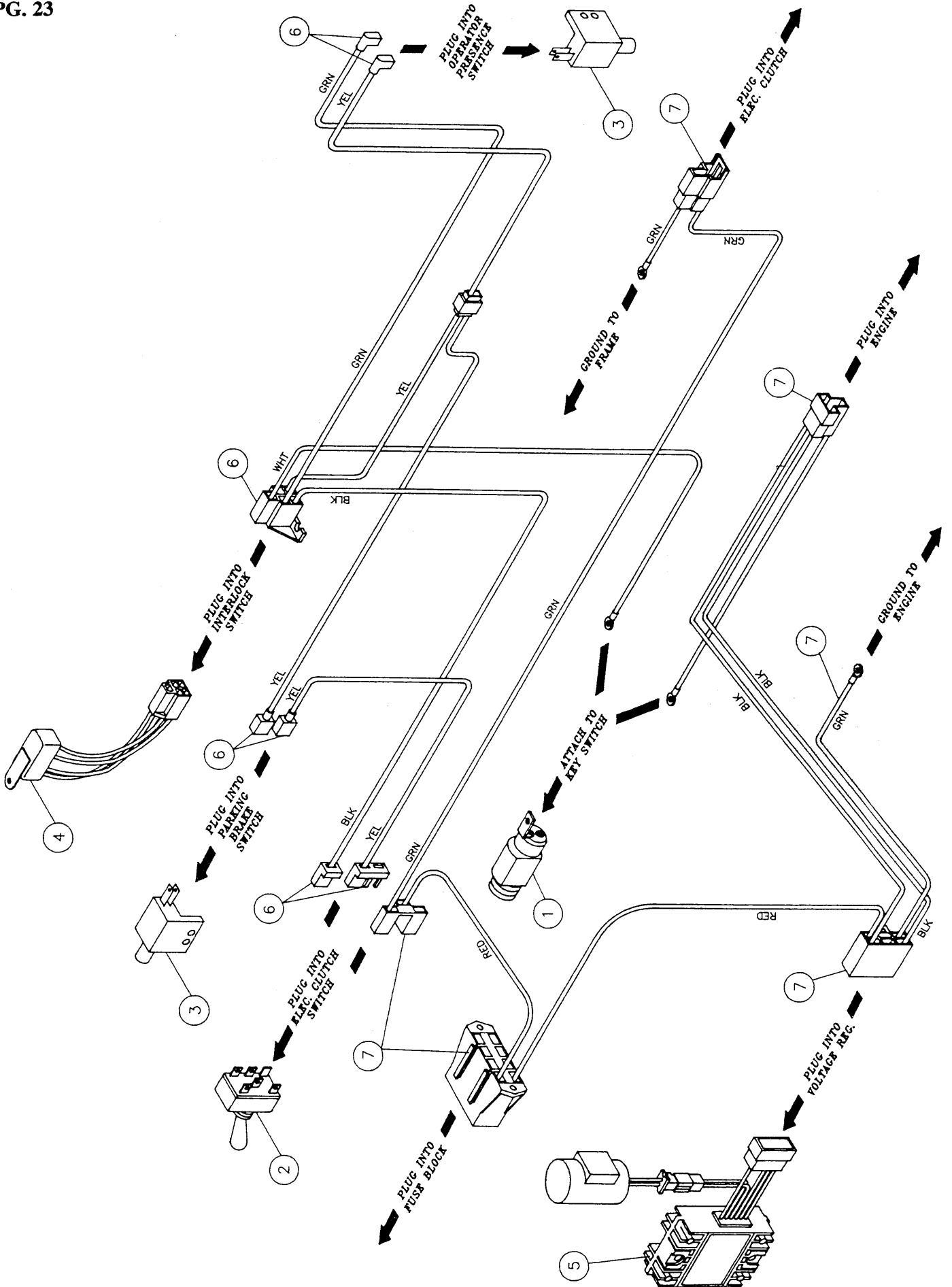
DD ELECTRICAL SCHEMATIC
14 HP Kawasaki Manual Start
SERIAL NUMBER 101-235

| REF. NO. | PART NO. | DESCRIPTION |
|-----------------|-----------------|-----------------------------------|
| 1 | 1543326 | Electric Clutch Harness |
| 2 | 1543324 | Blue Wire |
| 3 | 1543322 | Interlock |
| 4 | 1543323 | Interlock to Safety Switch |
| 5 | 1543325 | Yellow Interlock to Clutch Switch |
| 6 | 1543327 | Voltage Regulator Harness |
| 7 | 1521275 | Key Switch |
| 8 | ----- | Regulator, Kawasaki #21066-2071 |
| 9 | ----- | Condenser, Kawasaki #21013-2064 |
| 10 | 1542769 | Switch |
| 11 | 1521083 | Electric Clutch |
| 12 | 1521213 | Switch |



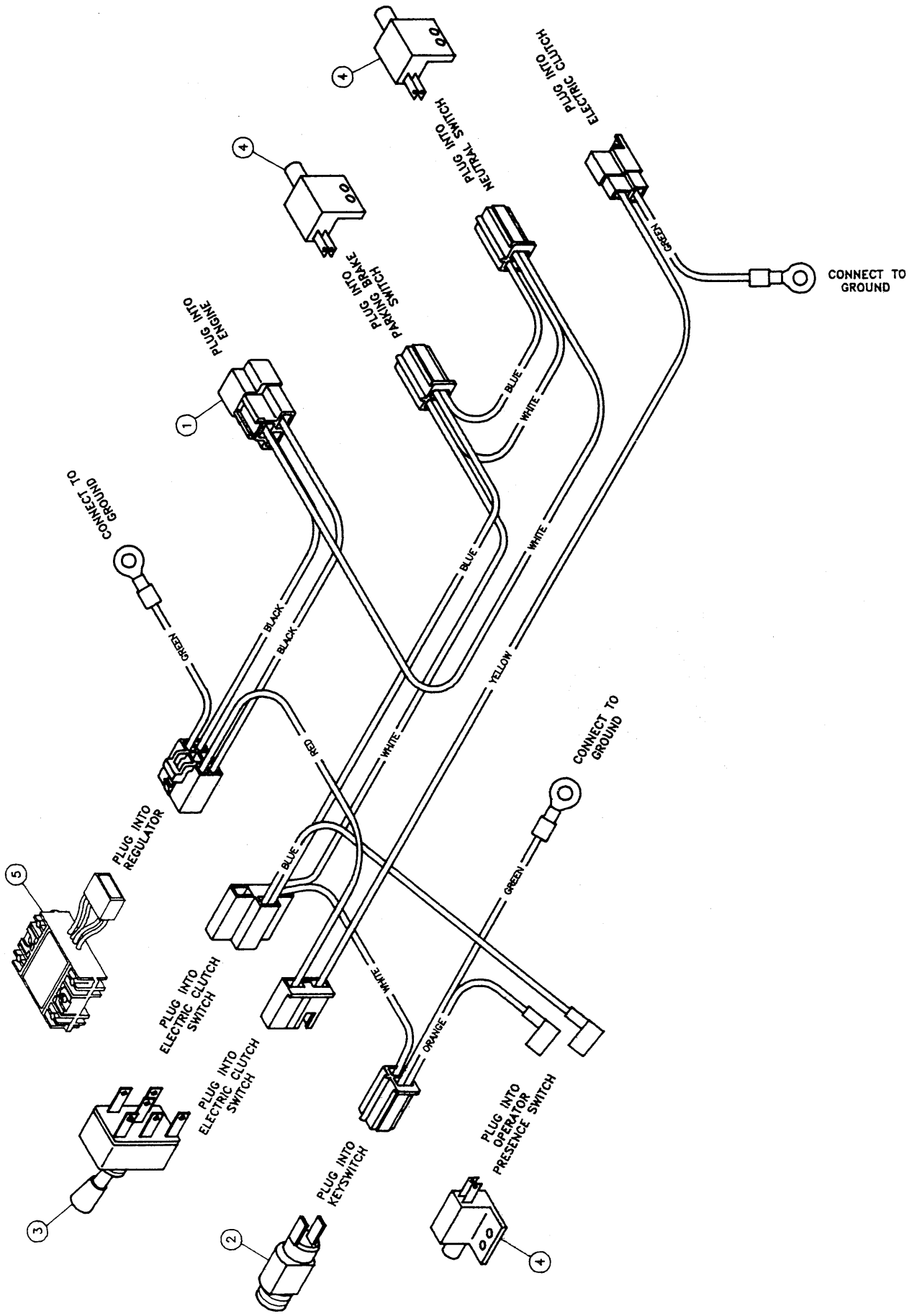
DD ELECTRICAL SCHEMATIC
14 HP Kawasaki Manual Start
SERIAL NUMBER 236-422

| REF. NO. | PART NO. | DESCRIPTION |
|-----------------|-----------------|---------------------------------|
| 1 | 1543526 | Electric Clutch Harness |
| 2 | 1543533 | Interlock Harness |
| 3 | 1543523 | Wire Assembly Black |
| 4 | 1543532 | In-Line Fuse Holder |
| 5 | 1543522 | Wire Assembly Yellow |
| 6 | 1543534 | Voltage Regulator Harness |
| 7 | 1521275 | Key Switch |
| 8 | ----- | Regulator, Kawasaki #21066-2071 |
| 9 | ----- | Condenser, Kawasaki #21013-2064 |
| 10 | 1521451 | Plunger Switch |
| 11 | 1521083 | Electric Clutch |
| 12 | 1521213 | Switch |
| -- | 1521093 | Switch Cover |
| 13 | 1521452 | Interlock |



DD ELECTRICAL SCHEMATIC
14 HP Kawasaki Manual Start
SERIAL NUMBER 423 & UP

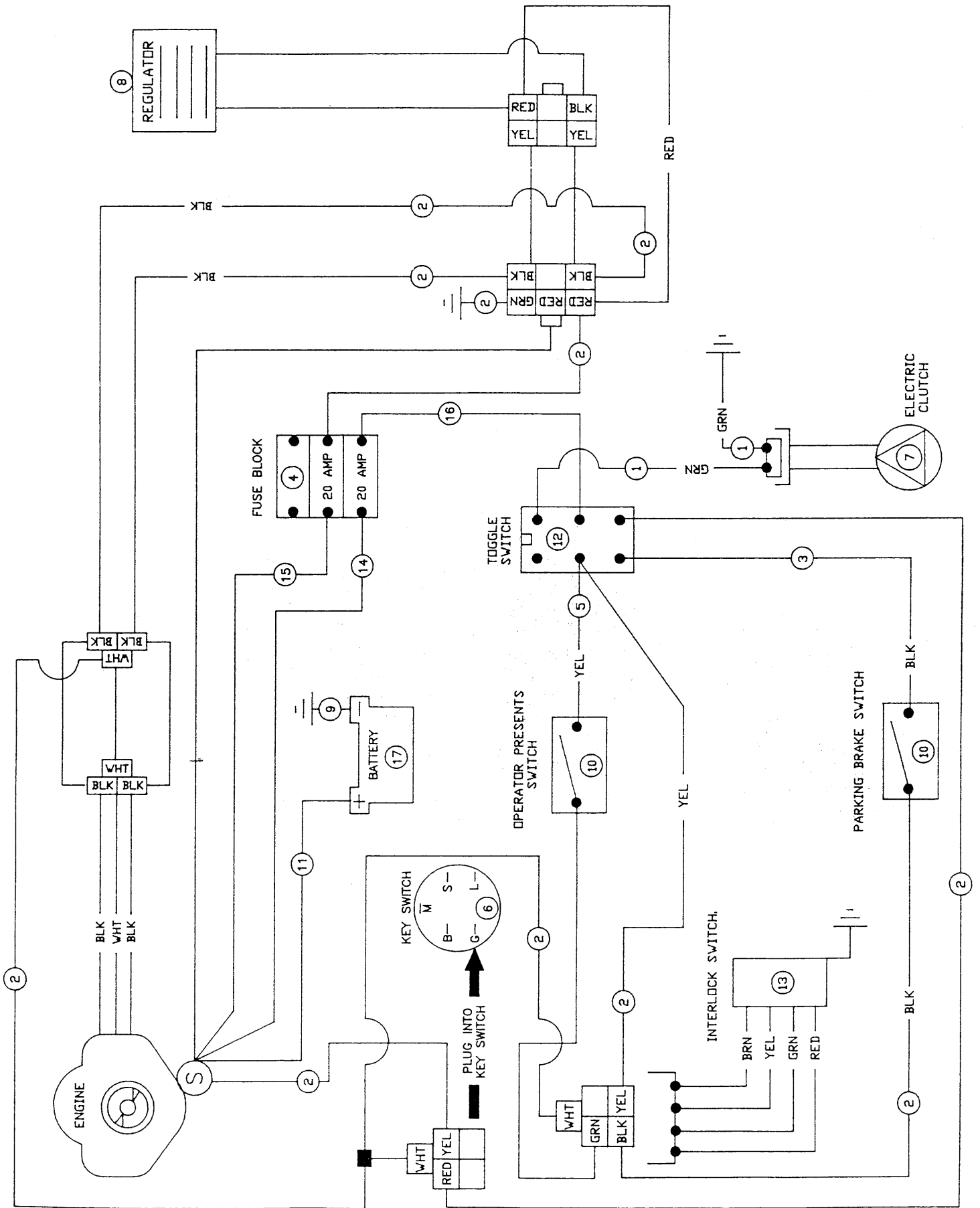
| REF. NO. | PART NO. | DESCRIPTION |
|-----------------|-----------------|---------------------------------|
| 1 | 1521275 | Key Switch |
| 2 | 1521545 | Electric Clutch Switch |
| 3 | 1521451 | Plunger Switch |
| 4 | 1521452 | Interlock |
| 5 | ----- | Regulator, Kawasaki #21066-2071 |
| -- | ----- | Condenser, Kawasaki #21013-2064 |
| 6 | 1530755 | Interlock Electrical Harness |
| 7 | 1530756 | Fuse Block Electrical Harness |



DDS ELECTRICAL SCHEMATIC

14 HP Kawasaki Manual Start

| REF. NO. | PART NO. | DESCRIPTION |
|----------|----------|---------------------------------------|
| 1 | 1531037 | DDSKA Wiring Harness |
| 2 | 1521842 | Key Switch |
| 3 | 1521545 | Electric Clutch Switch |
| 4 | 1521769 | Plunger Switch N.C. |
| 5 | ----- | 14 HP Regulator, Kawasaki #21006-2071 |

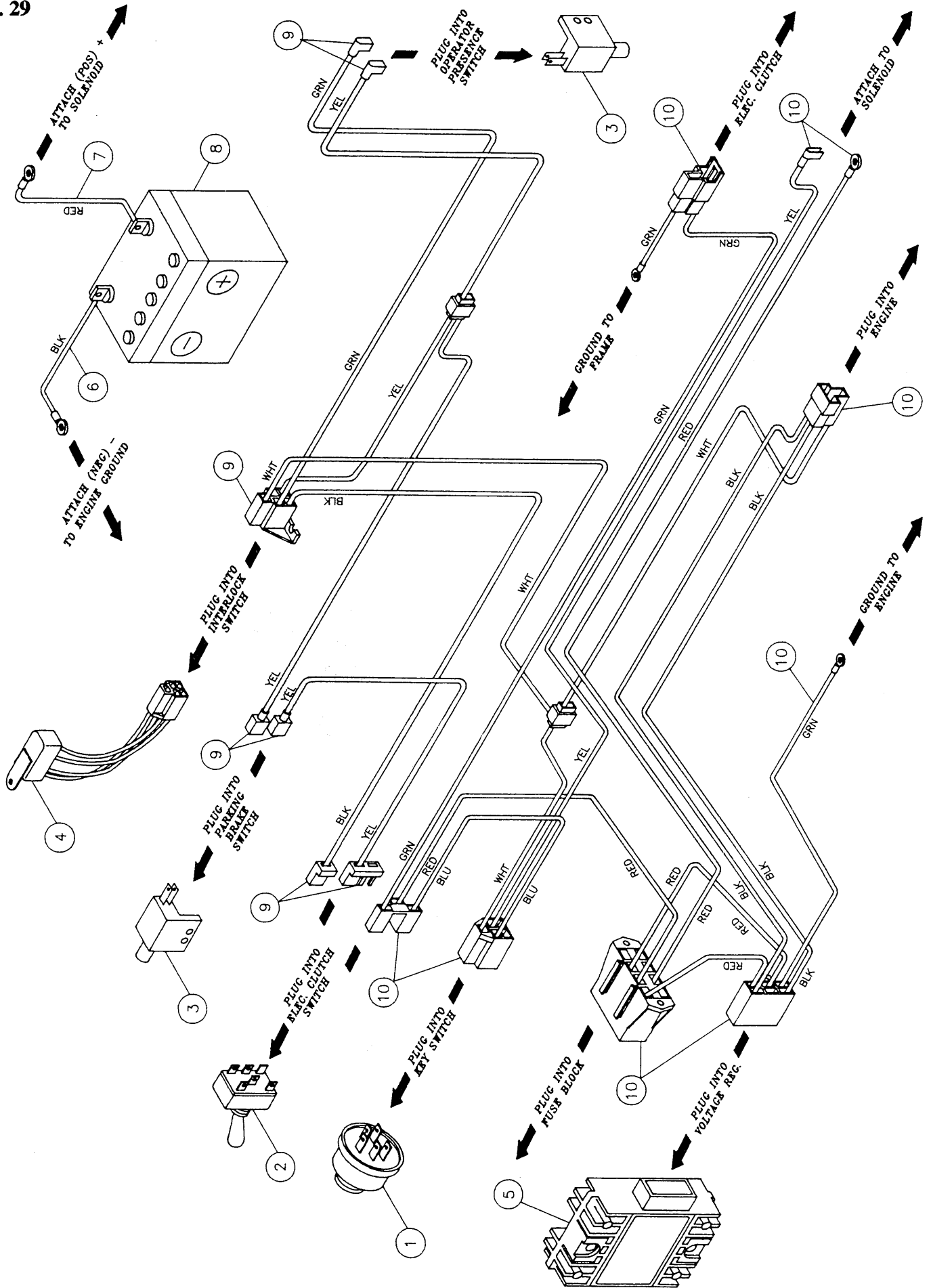


DD ELECTRICAL SCHEMATIC

17 HP Kawasaki Electric Start

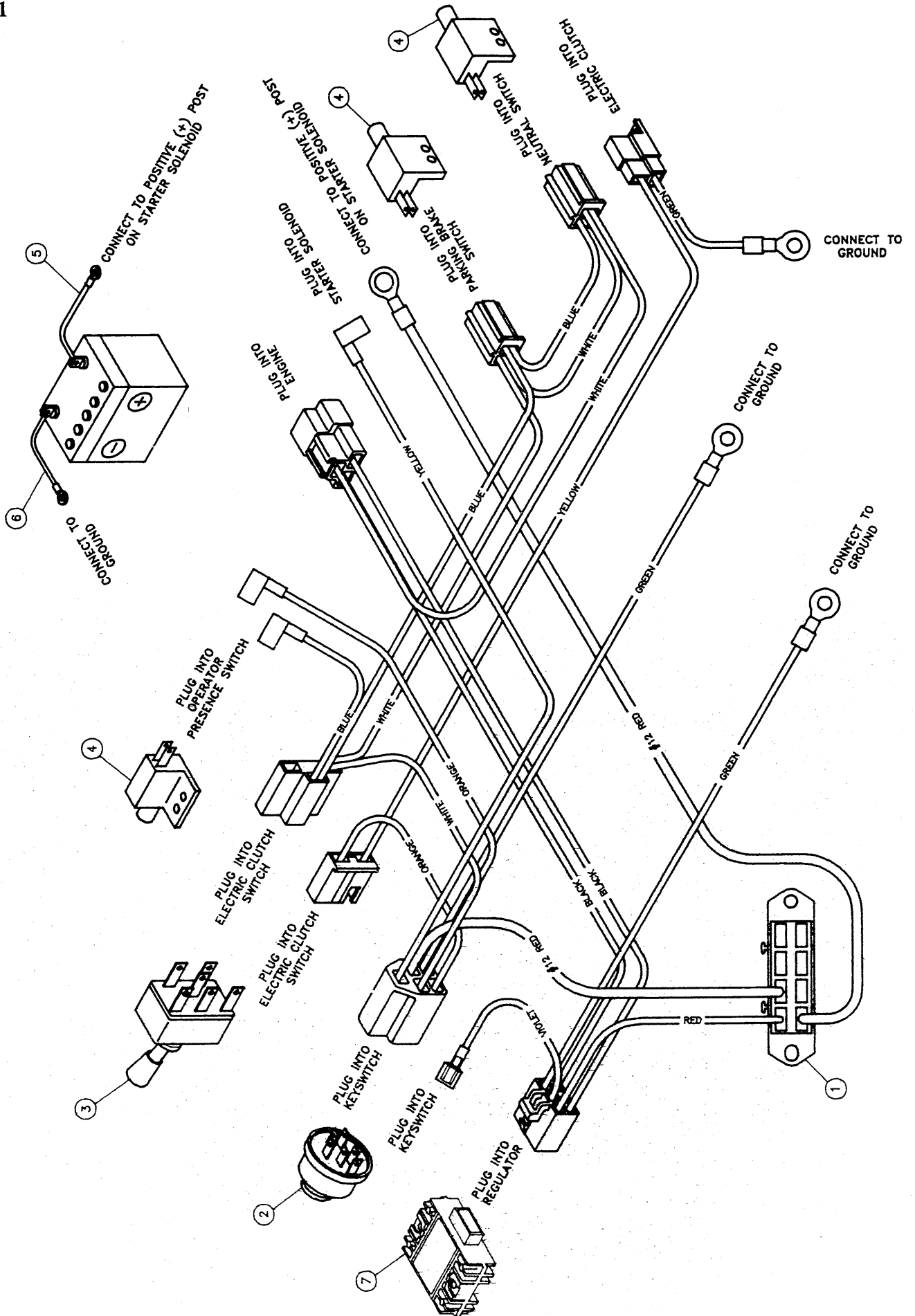
(Glass-Type Fuse Block)

| REF. NO. | PART NO. | DESCRIPTION |
|----------|----------|---------------------------------|
| 1 | 1543526 | Electric Clutch Harness |
| 2 | 1543531 | Main Wire Harness |
| 3 | 1543423 | Black Wire Assembly |
| 4 | 1520918 | Fuse Block |
| -- | 1520934 | 20 Amp Fuse |
| 5 | 1543522 | Yellow Wire Assembly |
| 6 | 1520836 | Key Switch |
| 7 | 1521083 | Electric Clutch |
| 8 | ----- | Regulator, Kawasaki #21066-2070 |
| 9 | 1543519 | Negative Battery Cable |
| 10 | 1521451 | Plunger Switch |
| 11 | 1543520 | Positive Battery Cable |
| 12 | 1521213 | Switch |
| -- | 1521093 | Switch Cover (not shown) |
| 13 | 1521452 | Interlock |
| 14 | 1543525 | Red Wire Assembly |
| 15 | 1543524 | Red Wire Assembly |
| 16 | 1543521 | Red Wire Assembly |
| 17 | ----- | 12 Volt Battery |



DD ELECTRICAL SCHEMATIC
17 HP Kawasaki Electric Start
(Blade-Type Fuse Block)

| REF. NO. | PART NO. | DESCRIPTION |
|-----------------|-----------------|---------------------------------|
| 1 | 1520836 | Key Switch |
| 2 | 1521545 | Electric Clutch Switch |
| 3 | 1521451 | Plunger Switch |
| 4 | 1521452 | Interlock |
| 5 | ----- | Regulator, Kawasaki #21066-2070 |
| 6 | 1521406 | Negative Battery Cable |
| 7 | 1521542 | Positive Battery Cable |
| 8 | ----- | 12 Volt Battery |
| 9 | 1530753 | Interlock Electrical Harness |
| 10 | 1530754 | Fuse Block Electrical Harness |



DDS ELECTRICAL SCHEMATIC

17 HP Kawasaki Electric Start

| REF. NO. | PART NO. | DESCRIPTION |
|----------|----------|---------------------------------------|
| 1 | 1531036 | DDSKAE Wiring Harness |
| 2 | 1520927 | Key Switch |
| 3 | 1521545 | Electric Clutch Switch |
| 4 | 1521769 | Plunger Switch N.C. |
| 5 | 1521542 | Positive (+) Battery Cable |
| 6 | 1521406 | Negative (-) Battery Cable |
| 7 | ----- | 17 HP Regulator, Kawasaki #21006-2070 |

DD ELECTRICAL SCHEMATIC

18 HP Briggs & Stratton Electric Start

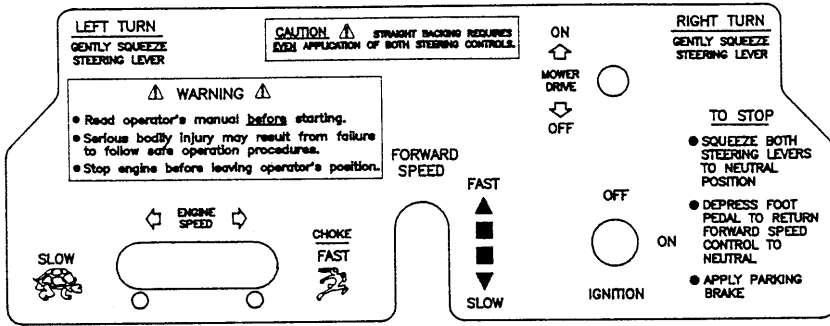
| REF. NO. | PART NO. | DESCRIPTION |
|----------|----------|----------------------------|
| 1 | 1544461 | DD Briggs Wiring Harness |
| 2 | 1520927 | Key Switch |
| 3 | 1521545 | Electric Clutch Switch |
| 4 | 1521769 | Plunger Switch N.C. |
| 5 | 1521766 | Relay |
| 6 | 1521765 | Parking Brake Switch |
| 7 | 1520801 | Starter Solenoid |
| 8 | 1521542 | Positive (+) Battery Cable |
| 9 | 1521406 | Negative (-) Battery Cable |
| 10 | 1544471 | Starter Cable |

DDS ELECTRICAL SCHEMATIC

18 HP Briggs & Stratton Electric Start

| REF. NO. | PART NO. | DESCRIPTION |
|----------|----------|----------------------------|
| 1 | 1531038 | DDSBVE Wiring Harness |
| 2 | 1520927 | Key Switch |
| 3 | 1521545 | Electric Clutch Switch |
| 4 | 1521769 | Plunger Switch N.C. |
| 5 | 1520801 | Starter Solenoid |
| 6 | 1521542 | Positive (+) Battery Cable |
| 7 | 1521406 | Negative (-) Battery Cable |
| 8 | 1544471 | Starter Cable |

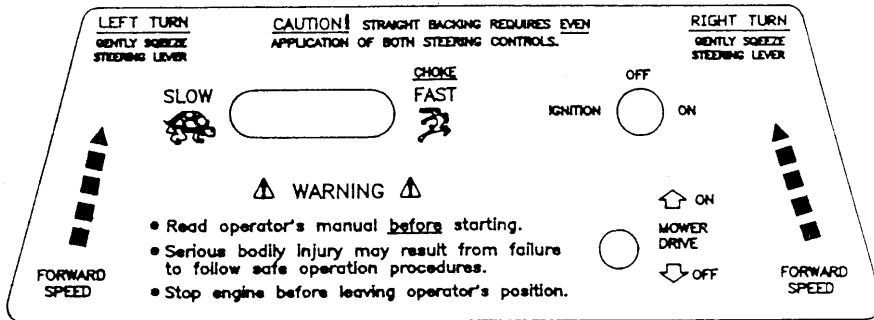
REPLACEMENT DECALS



1521874



1520851



1521496

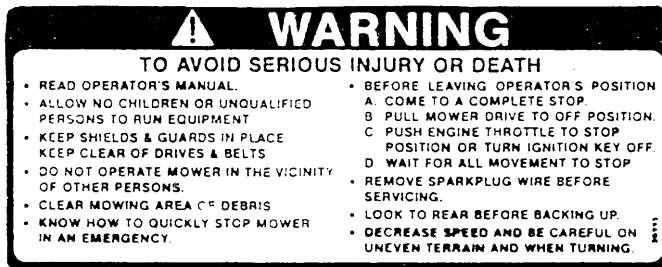


8820337

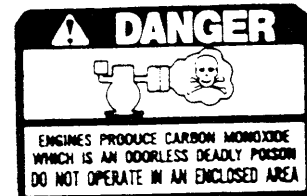


DO NOT OVERFILL OR START ENGINE NEAR SPILLED GASOLINE. LEAVE 1/4 INCH SPACE AT TOP OF TANK FOR FUEL EXPANSION. DO NOT ADD GASOLINE WHILE ENGINE IS HOT OR RUNNING. DO NOT OPERATE WHILE FUEL CAP IS REMOVED.

1521159



1520995



1521411



1520852

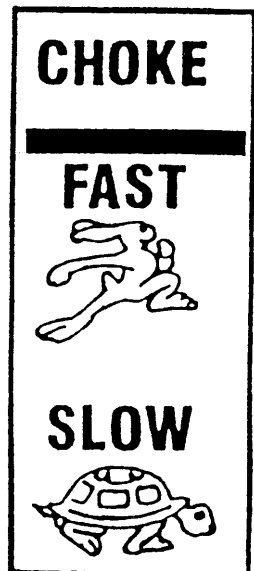
This machine may be covered by one or more of the following Patents: 4,787,195 / 4,879,867 / 4,920,734. Other Patents Pending.

1521421

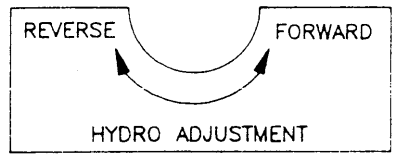


1520940

REPLACEMENT DECALS



1521197



1521498

DualDrive

1521422

PARKING BRAKE

1521246

HydroWalk

1521244

FERRIS

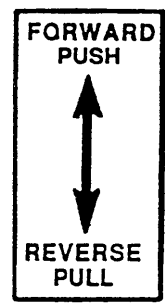
1520849

15 P.S.I.

1521153

OFF ON
 START
 IGNITION

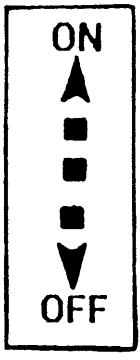
1520861



1521323

48"

1521266



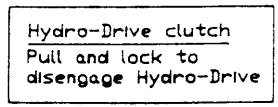
1521154

52"

1521299

GREASE DAILY

1521036



1521497

61"

1521302



