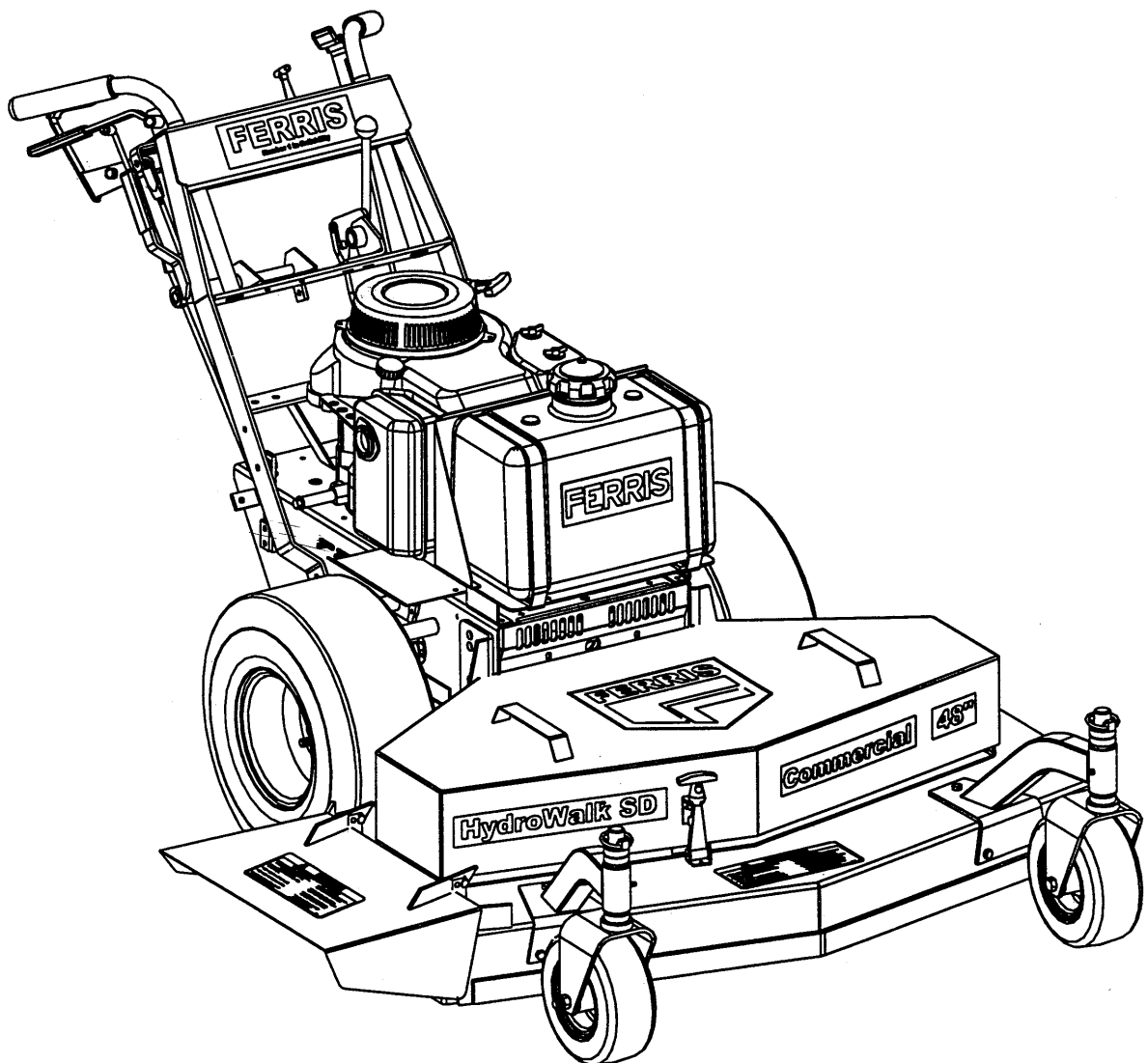




PRICE \$3.00

ILLUSTRATED PARTS LIST

HydroWalk Commercial Mowers



MODELS:

HW32KA, HW32KAR
HW36KA, HW36KAR
HW36K
HW36B
HW48KA, HW48KAR
HW48K
HW48B

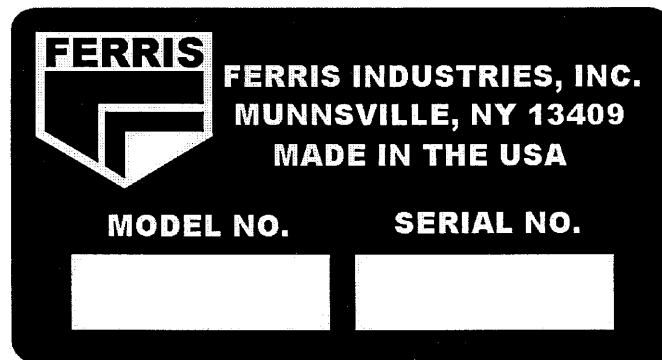
Ferris Industries Inc.
5375 N. Main Street
Munnsville, NY 13409

Manual No. 21279
Printed in USA
August 1999
Revision I



TABLE OF CONTENTS

| | Page |
|---|-------|
| 32" & 36" Cutter Decks..... | 1-2 |
| 48" Cutter Decks..... | 3-4 |
| Engine Deck..... | 5-6 |
| Engine Deck (SN: 3289 & up)..... | 7-8 |
| Transmission & Controls..... | 9-10 |
| Handle Bars..... | 11-12 |
| Handle Bars (HW32KA, 9hp Kawasaki)..... | 13-14 |
| Electrical Schematics..... | 15-16 |
| Replacement Decals..... | 17 |

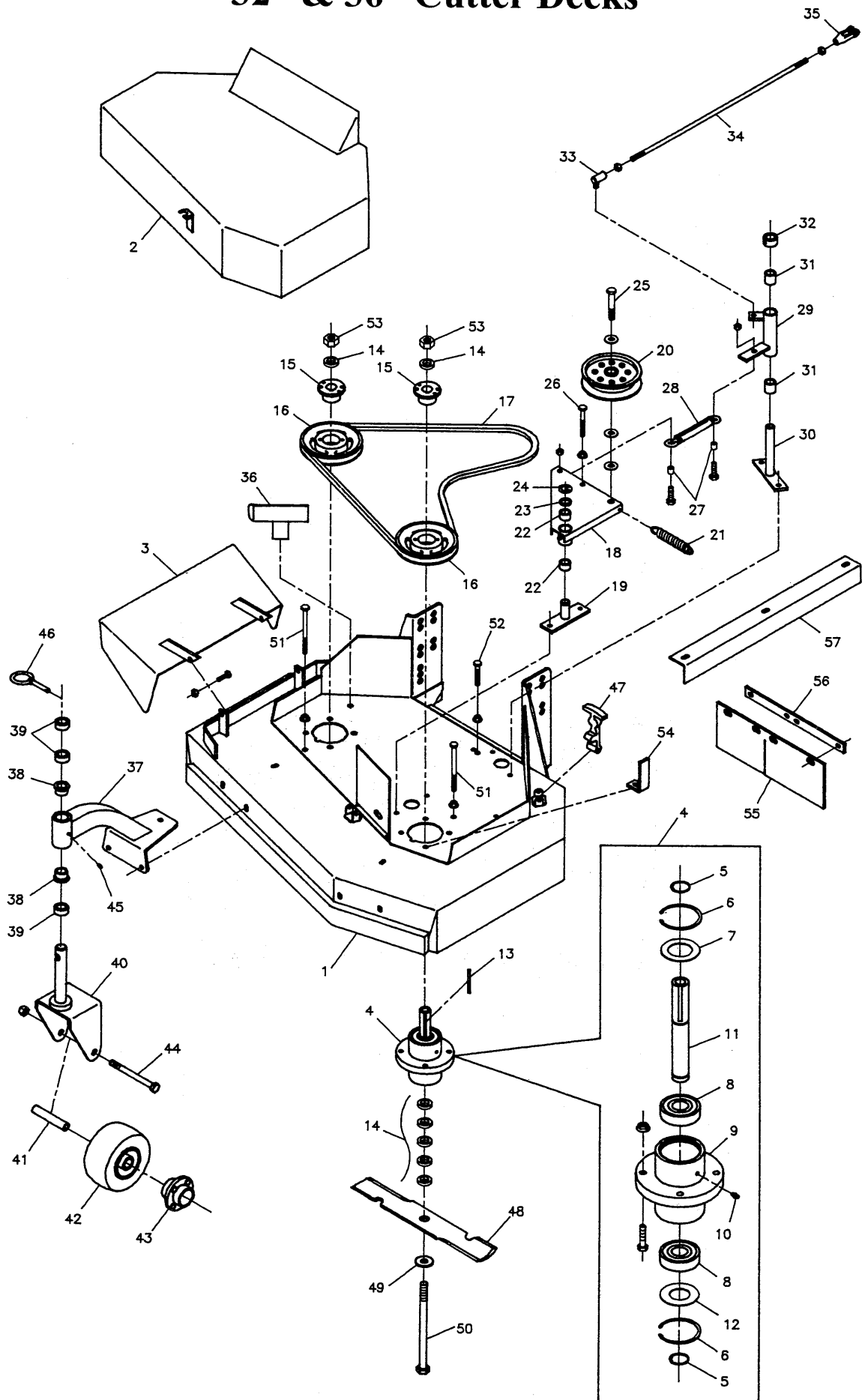


NOTE:

To insure that the correct parts are ordered and shipped for your machine, please be sure to use the parts book and pages that specifically cover your machine. Whenever in doubt, include the model and serial number of your machine along with the part numbers. For future reference, record the model and serial number of your machine in the space provided above.

WARNING: THOROUGHLY READ OPERATOR'S MANUAL AND COMPLETELY ASSEMBLE ALL LOOSE PARTS BEFORE OPERATING MOWER. DO NOT OPERATE YOUR MOWER UNLESS ALL PARTS ARE ATTACHED AND IN GOOD WORKING ORDER. KEEP YOUR MOWER IN GOOD REPAIR AT ALL TIMES.

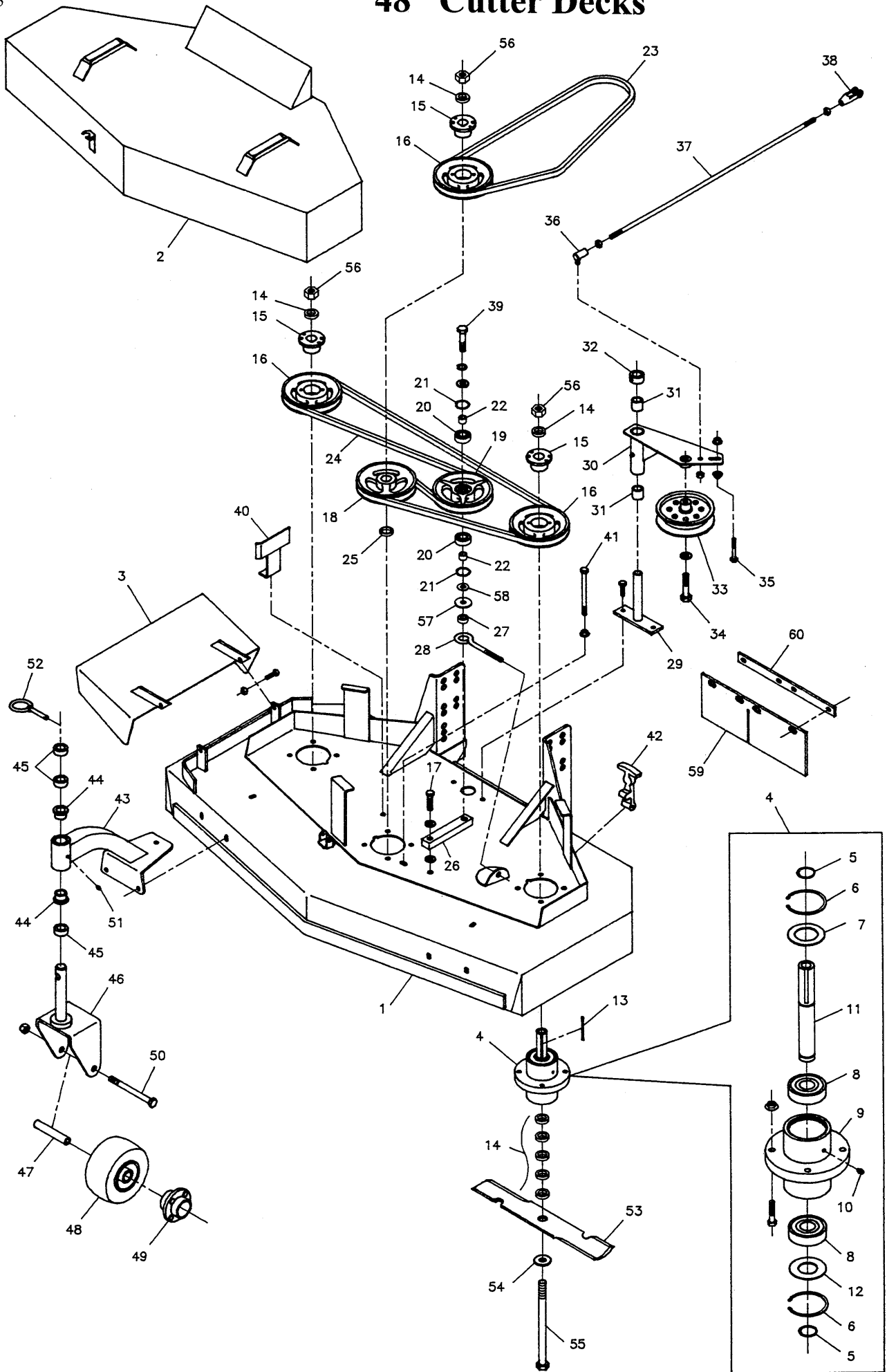
32" & 36" Cutter Decks



32" & 36" Cutter Decks

| REF. NO. | PART NO. | DESCRIPTION | REF. NO. | PART NO. | DESCRIPTION |
|----------|----------|--------------------------------|----------|----------|----------------------------|
| 1 | 30840 | 36" Cutter Deck | 32 | 10116 | Collar, 3/4" Set |
| -- | 30601 | 32" Cutter Deck | 33 | 20805 | Ball Joint |
| -- | 30517 | 36" Rear Discharge Cutter Deck | 34 | 42553 | Blade Engagement Rod |
| -- | 30744 | 32" Rear Discharge Cutter Deck | 35 | 21171 | Clevis |
| 2 | 42577 | 36" Guard | 36 | 42528 | Belt Keep |
| -- | 45373 | 36" Guard (SN: 3289 & up) | 37 | 43887 | Caster Mount |
| -- | 30575 | 32" Guard | 38 | 21541 | Bushing, Flange |
| 3 | 42565 | 36" Discharge Chute | 39 | 41476 | Spacer, Caster |
| 4 | 30301 | Spindle Assembly | 40 | 41702 | Mount, Caster Wheel |
| 5 | 20864 | Snap Ring, External | 41 | 41657 | Sleeve |
| 6 | 20866 | Snap Ring, Internal | 42 | 21181 | Caster Wheel Assembly |
| 7 | 41653 | Spindle Washer-Top | 43 | 21181-4 | Hub Complete (Stamped M) |
| 8 | 20828 | Bearing | -- | 21262 | Hub Complete (Stamped T) |
| 9 | 30293 | Housing, Spindle | 44 | 25017-44 | Bolt, 1/2-13 x 5-1/2" GD.5 |
| 10 | 20095 | Grease Fitting, 1/4-28 | 45 | 21728 | Grease Fitting, Press-In |
| 11 | 41480 | Shaft, Spindle | -- | 20095 | Grease Fitting, 1/4-28 |
| 12 | 41672 | Spindle Washer-Bottom | 46 | 20655 | Pin, Lynch |
| 13 | 50407-9 | Key, 1/4" sq. x 2-1/2" | 47 | 20841-1 | Latch, Rubber |
| 14 | 41477 | Spacer, Blade | 48 | 21227 | Blade |
| 15 | 20819 | Hub | -- | 20843 | Blade (32" Deck) |
| 16 | 20814 | Pulley | 49 | 25159 | Washer, 5/8" SAE |
| 17 | 21251 | Belt | 50 | 25019-76 | Bolt, 5/8-11 x 9-1/2" GD.5 |
| -- | 21390 | Belt (32" Deck) | 51 | 25013-40 | Bolt, 3/8-16 x 5" GD.5 |
| 18 | 42563 | Clutch Pivot | 52 | 25013-18 | Bolt, 3/8-16 x 2-1/4" GD.5 |
| 19 | 41629 | Idler Pivot | 53 | 25040 | Nut, 5/8-11 Hex |
| 20 | 21096 | Idler Pulley | 54 | 42969 | Belt Guide (32" Deck Only) |
| -- | 21369 | Idler Pulley (32" Deck) | 55 | 42974 | Rear Discharge Rubber Flap |
| 21 | 20639 | Spring | 56 | 42736 | Flap Support |
| 22 | 20874 | Bushing | 57 | 42734 | Rear Discharge Baffle 36" |
| 23 | 25520 | Shim | -- | 43614 | Rear Discharge Baffle 32" |
| 24 | 20863 | C-Clip | | | |
| 25 | 25018-24 | Bolt, 1/2-20 x 3" GD.5 | | | |
| 26 | 25013-24 | Bolt, 3/8-16 x 3" GD.5 | | | |
| 27 | 41600 | Sleeve | | | |
| 28 | 41852 | Turnbuckle | | | |
| 29 | 42569 | Blade Engagement Bell Crank | | | |
| 30 | 42560 | Blade Engagement Pivot | | | |
| 31 | 20875 | Bushing | | | |

48" Cutter Decks

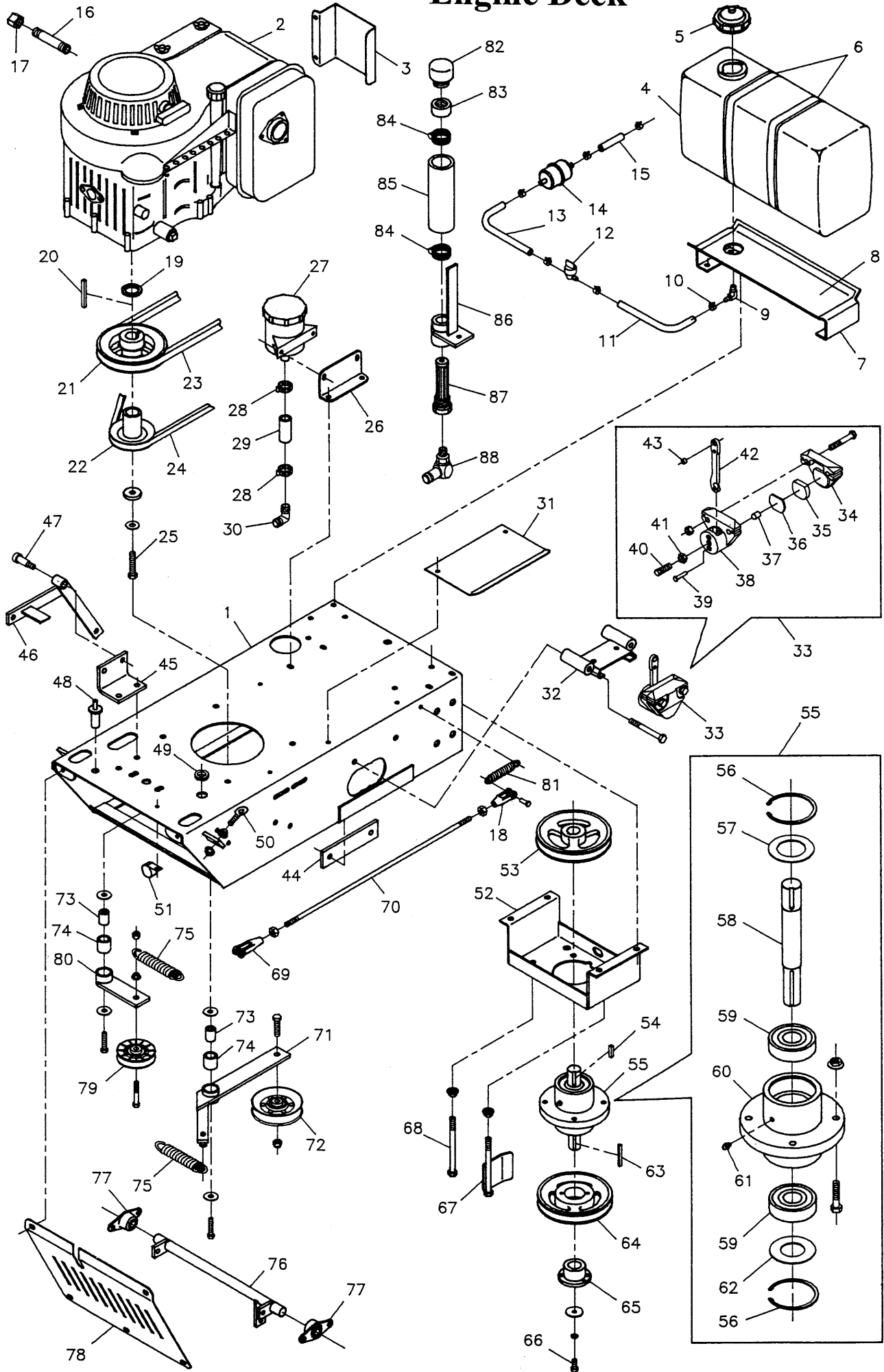


48" Cutter Decks

| REF. NO. | PART NO. | DESCRIPTION | REF. NO. | PART NO. | DESCRIPTION |
|----------|----------|--------------------------------|----------|----------|---|
| 1 | 30841 | 48" Cutter Deck | 35 | 25011-18 | 5/16-18 x 2-1/4" GD.5 Bolt |
| -- | 30580 | 48" Rear Discharge Cutter Deck | 36 | 20805 | Ball Joint |
| 2 | 30511 | 48" Guard | 37 | 42659 | Blade Engagement Rod |
| -- | 45375 | 48" Guard (SN: 3289 & up) | 38 | 21171 | Clevis |
| 3 | 41668 | Discharge Chute | 39 | 25018-18 | Bolt, 1/2-20 x 2-1/4" GD.5 |
| 4 | 30301 | Spindle Assembly | -- | 25018-14 | Bolt, 1/2-20 x 1-3/4" (before SN: 1618) |
| 5 | 20864 | Snap Ring, External | 40 | 42657 | Belt Keep |
| 6 | 20866 | Snap Ring, Internal | 41 | 25054-40 | Bolt, 3/8-16 x 5" GD.5 |
| 7 | 41653 | Spindle Washer-Top | 42 | 20841-1 | Latch, Rubber |
| 8 | 20828 | Bearing | 43 | 43887 | Mount, Deck Caster |
| 9 | 30293 | Housing, Spindle | 44 | 21541 | Bushing, Flange |
| 10 | 20095 | Grease Fitting, 1/4-28 | 45 | 41476 | Spacer, Caster |
| 11 | 41480 | Shaft, Spindle | 46 | 41702 | Mount, Caster Wheel |
| 12 | 41672 | Spindle Washer-Bottom | 47 | 41657 | Sleeve |
| 13 | 50407-9 | Key, 1/4" sq. x 2-1/2" | 48 | 21181 | Caster Wheel Assembly |
| 14 | 41477 | Spacer, Blade | 49 | 21181-4 | Hub Complete (Stamped M) |
| 15 | 20819 | Hub | -- | 21262 | Hub Complete (Stamped T) |
| 16 | 20814 | Pulley | 50 | 25017-44 | Bolt, 1/2-13 x 5-1/2" GD.5 |
| 17 | 25016-14 | Bolt, 7/16-20 x 1-3/4" GD.5 | 51 | 21728 | Grease Fitting, Press-In |
| 18 | 41478 | Pulley | -- | 20095 | Grease Fitting, 1/4-28 |
| 19 | 30819 | Idler Pulley (Complete) | 52 | 20655 | Pin, Lynch |
| -- | 41481 | Pulley, Idler (only) | 53 | 20843 | Blade |
| 20 | 20827 | Bearing | 54 | 25159 | Washer, 5/8" SAE |
| 21 | 20865 | Snap Ring, Internal | 55 | 25019-76 | Bolt, 5/8-11 x 9-1/2" GD.5 |
| 22 | 20870 | Insert, Bearing | 56 | 25040 | Nut, 5/8-11 Hex |
| 23 | 21261 | Belt, 48" Deck Drive | 57 | 25150 | Washer, 1/2" USS (after SN 1618) |
| 24 | 20873 | Belt, 48" Spindle Drive | 58 | 25158 | Washer, 1/2" SAE (after SN 1618) |
| 25 | 41484 | Spacer, Pulley | 59 | 42858 | Rubber Flap |
| 26 | 44610 | Arm, Idler | 60 | 42859 | Rubber Flap Strap |
| -- | 41622 | Arm, Idler (before SN: 1618) | | | |
| 27 | 44609 | Spacer, Idler (after SN: 1618) | | | |
| 28 | 21812 | Eye Bolt, 3/8" x 6" | | | |
| -- | 41729 | J-Bolt (before SN: 1618) | | | |
| 29 | 42560 | Pivot Shaft | | | |
| 30 | 42656 | Blade Engagement Shaft | | | |
| 31 | 20875 | Bushing | | | |
| 32 | 10116 | Collar, 3/4" Set | | | |
| 33 | 21097 | Idler Pulley | | | |
| 34 | 25018-16 | Bolt, 1/2-20 x 2" GD.5 | | | |

Engine Deck

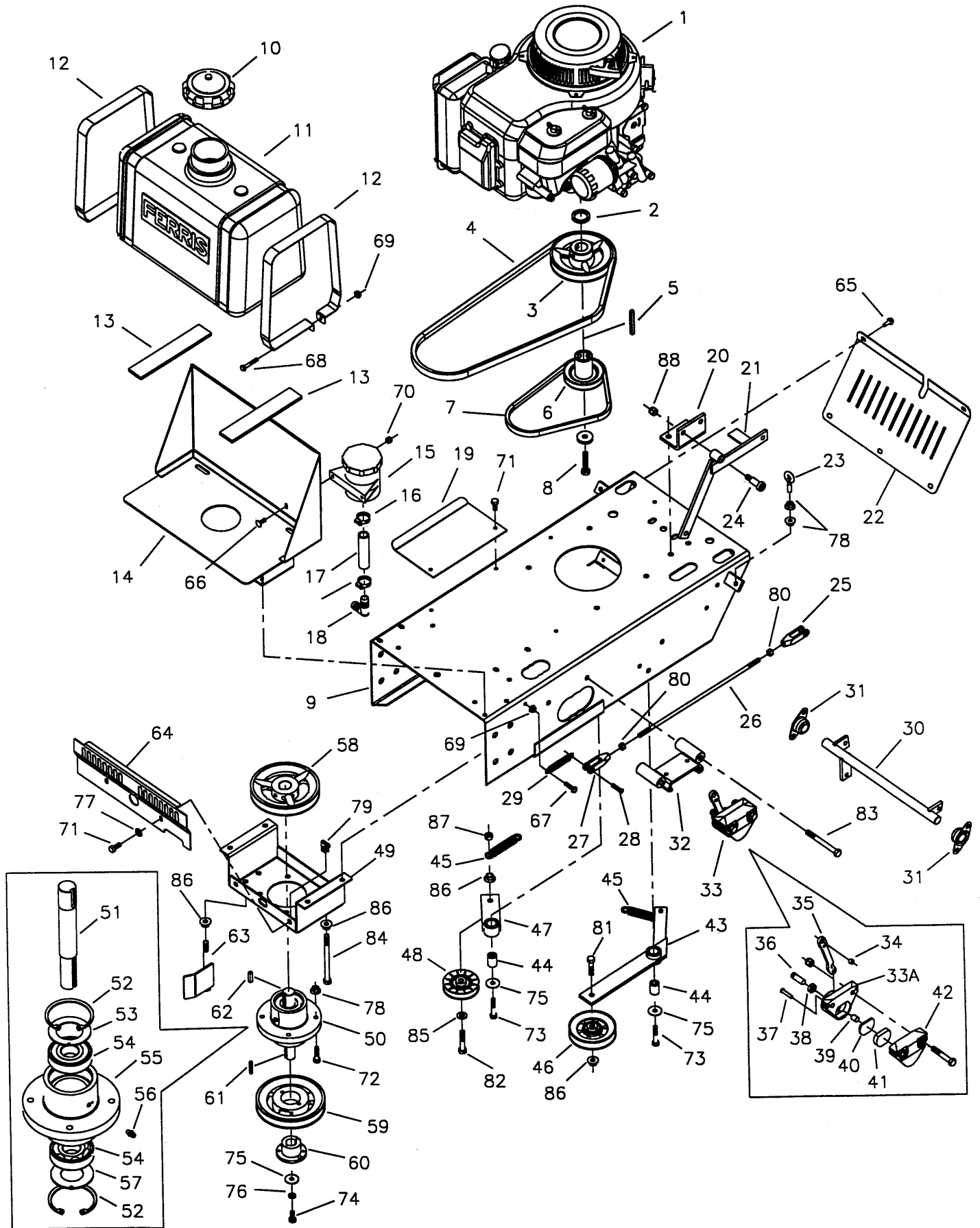
5



Engine Deck

| REF. NO. | PART NO. | DESCRIPTION | REF. NO. | PART NO. | DESCRIPTION |
|----------|----------|-----------------------------|----------|----------|---|
| 1 | 30455 | Engine Deck | 45 | 44635 | Pivot Mount |
| -- | 30602 | Engine Deck 32" | -- | 42587 | Clutch Pivot (before SN: 2061, 36") (before SN: 1678, 48") |
| 2 | 21334 | Engine, 13hp Kawasaki | 46 | 44634 | Blade Engagement Pivot |
| -- | 21355 | Engine, 9hp Kawasaki | -- | 42573 | Blade Pivot (before SN: 2061, 36") (before SN: 1678, 48") |
| -- | 21254 | Engine, 14hp Kohler | 47 | 25223 | 1/2" x 1" Shoulder Bolt |
| -- | 21144 | Engine, 12.5hp Kohler | -- | 41730 | Spacer (before SN: 2061, 36") (before SN: 1678, 48") |
| -- | 21249 | Engine, 12.5hp Briggs | 48 | 21522 | Plunger Switch |
| 3 | 42539 | Muffler Guard (Kohler) | -- | 42647 | Plunger Switch (before SN: 370) |
| -- | 42442 | Muffler Guard (Briggs) | 49 | 21077 | Grommet |
| 4 | 20982 | Gas Tank | 50 | 25141-17 | Eye Bolt |
| 5 | 20797 | Gas Cap | 51 | 21452 | Interlock |
| 6 | 41957 | Gas Tank Strap | -- | 43430 | Interlock (Kohler) |
| 7 | 42504 | Gas Tank Mount | 52 | 42591 | Jack Shaft Mount |
| 8 | 42029 | Safety Walk | 53 | 41478 | Pulley |
| 9 | 21240 | 90° Brass Fitting | 54 | 50407-1 | Key, 1/4" sq. x 1" |
| 10 | 20835 | Hose Clamp | 55 | 30474 | Jack Shaft Spindle Assembly |
| 11 | 50831-8 | 8" Gas Line | 56 | 20866 | Snap Ring, Internal |
| -- | 50831-9 | 9" Gas Line (Kohler) | 57 | 41653 | Spindle Washer-Top |
| 12 | 21235 | Valve, Fuel Shut Off | 58 | 42660 | Shaft, Spindle |
| 13 | 50831-14 | 14" Gas Line | 59 | 20828 | Bearing |
| -- | 50831-22 | 22" Gas Line (Kohler) | 60 | 30468 | Housing, Spindle |
| 14 | 21178-3 | Fuel Filter | 61 | 20095 | Grease Fitting, 1/4-28 |
| 15 | 50831-5 | 5" Gas Line (Kawasaki Only) | 62 | 41672 | Spindle Washer-Bottom |
| 16 | 21122 | Nipple (Kohler) | 63 | 50403-8 | Key, 3/16" sq. x 1-1/4" |
| 17 | 21466 | Cap (Kohler) | 64 | 20814 | Pulley |
| 18 | 20980 | Clevis | 65 | 21241 | Hub |
| 19 | 42620 | Spacer, Crank Shaft | 66 | 25012-6 | Bolt, 5/16-24 x 3/4" GD.5 |
| 20 | 50407-9 | Key, 1/4" sq. x 2-1/2" | 67 | 42635 | Belt Keep |
| 21 | 20817 | Pulley | 68 | 25013-40 | Bolt, 3/8-16 x 5" GD.5 |
| 22 | 42597 | Pulley | 69 | 20979 | Clevis |
| 23 | 21229 | Belt, Jackshaft Drive | 70 | 42555 | Brake Linkage Rod |
| 24 | 21230 | Belt, Pump Drive | 71 | 42917 | Idler Arm w/ Bushing |
| 25 | 25239-50 | Bolt, M10 x 50 | 72 | 43628 | Idler Pulley |
| 26 | 42977 | Oil Reservoir Mount | 73 | 42134 | Spacer, Pivot |
| 27 | 21384 | Oil Reservoir | 74 | 20876B | Bushing, Brass |
| 28 | 21164 | Hose Clamp | 75 | 20807 | Spring |
| 29 | 50848-2 | Hose, 2" | 76 | 42533 | Transmission Control Rod |
| 30 | 21395 | 90° Fitting | 77 | 21098 | Bearing, Flange |
| 31 | 42538 | Heat Shield | 78 | 42641 | Screen |
| 32 | 42595 | Brake Mount | 79 | 43627 | Idler Pulley |
| 33 | 20969 | Brake Right Side | 80 | 42531 | Pivot Arm w/ Bushing |
| -- | 20968 | Brake Left Side | 81 | 20639 | Spring |
| 34 | 21088 | Anvil | 82 | 21232 | Air Filter |
| 35 | 21010 | Puck | 83 | 42605 | Reservoir Cap |
| 36 | 21335 | Back Plate | 84 | 21234 | Clamp |
| 37 | 21470 | Actuator Pin | 85 | 50849-1 | Reservoir Tube |
| 38 | ----- | Brake Housing | 86 | 42623 | Reservoir Mount |
| 39 | 21471 | Groove Pin | 87 | 21082 | Line Strainer |
| 40 | 21473 | Adjuster Bolt | 88 | 21233 | 90° Fitting |
| 41 | 21472 | Jam Nut | | | |
| 42 | 21038 | Lever | | | |
| 43 | 42036 | Brake Lever Spacer | | | |
| 44 | 42558 | Brake Brace | | | |

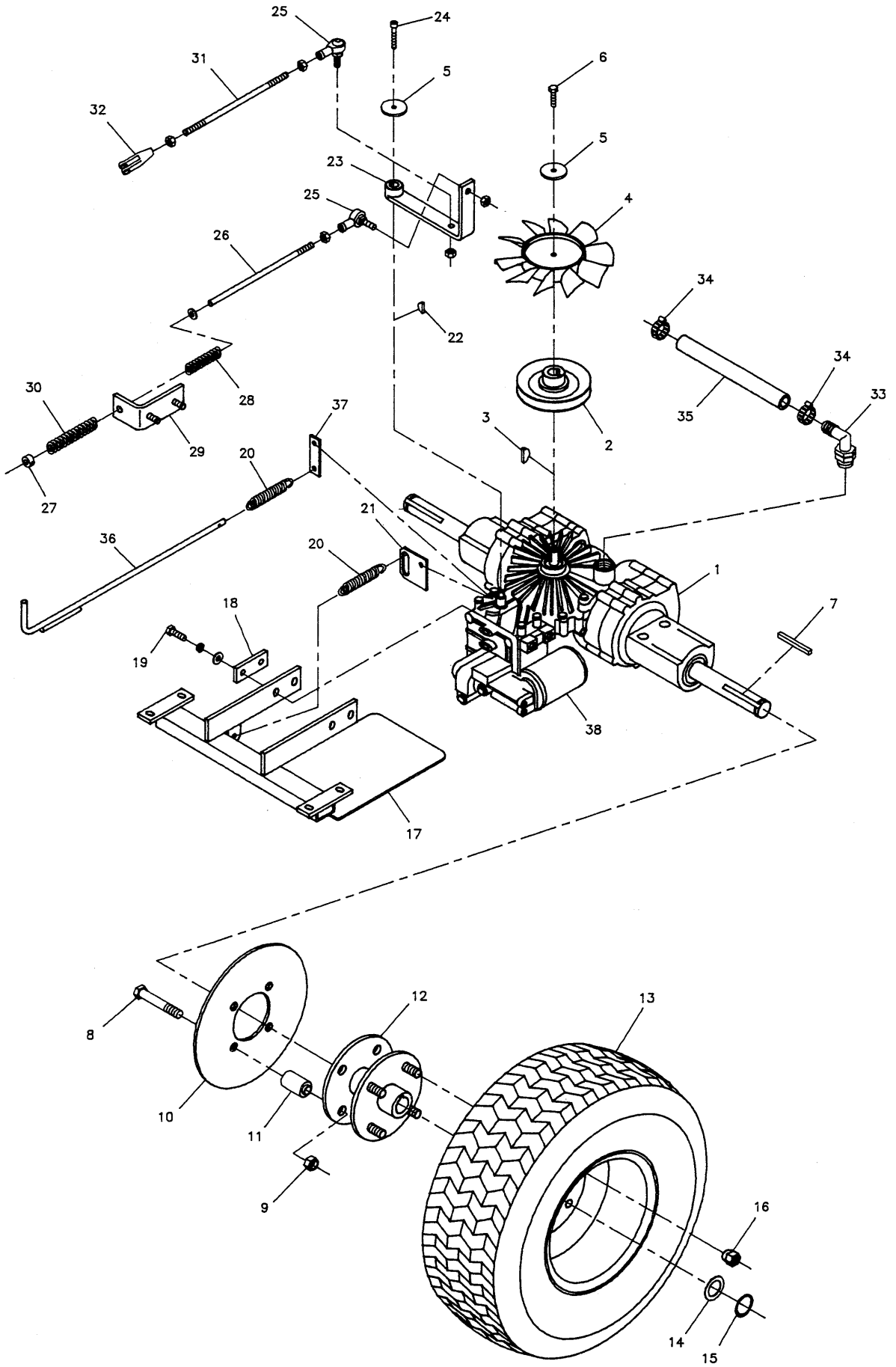
Engine Deck (SN: 3289 & up)



Engine Deck (SN: 3289 & up)

| REF. NO. | PART NO. | DESCRIPTION | REF. NO. | PART NO. | DESCRIPTION |
|----------|-----------|----------------------------|----------|----------|-----------------------------------|
| 1 | 21334 | Engine, 13hp Kawasaki | 54 | 20828 | Bearing |
| 2 | 42620 | Spacer, Crankshaft | 55 | 30468 | Housing, Spindle |
| 3 | 20817 | Pulley | 56 | 20095 | Grease Fitting, 1/4-28 |
| 4 | 21229 | Belt, Jackshaft Drive | 57 | 41672 | Spindle Washer-Bottom |
| 5 | 50407-9 | Key, 1/4" sq. x 2-1/2" | 58 | 41478 | Pulley |
| 6 | 42597 | Pulley, Transmission Drive | 59 | 20814 | Pulley |
| 7 | 21230 | Belt, Transmission Drive | 60 | 21241 | Hub, Tapered |
| 8 | 25239-50 | Bolt, M10 x 50MM | 61 | 50403-8 | Key, 3/16" sq. x 1-1/4" |
| 9 | 30455 | Engine Deck | 62 | 50407-1 | Key, 1/4" sq. x 1" |
| 10 | 22158 | Cap, Gas | 63 | 42635 | Belt Guide |
| 11 | 21869 | Tank, 5 Galon Fuel | 64 | 45367 | Guard, Jackshaft |
| 12 | 44694 | Strap, 5 Gal. Fuel Tank | 65 | 25279-6 | Bolt, 1/4-20 x 3/4" Self-Tapping |
| 13 | 21877 | Pad, Rubber Mount | 66 | 25144-6 | Bolt, 1/4-20 x 3/4" Carriage |
| 14 | 45368 | Mount, HW Fuel Tank | 67 | 25010-8 | Bolt, 1/4-20 x 1" GD.5 |
| 15 | 21384 | Reservior, Hydraulic | 68 | 25010-12 | Bolt, 1/4-20 x 1-1/2" GD.5 |
| 16 | 21164 | Clamp, #10 Hose | 69 | 25126 | Nut, 1/4-20 Hex Serr. Flange |
| 17 | 50848-3.5 | Hose, 3-1/2" Long | 70 | 25095 | Nut, 1/4-20 Hex Nylon Lock |
| 18 | 21395 | Fitting, 90 Deg. Plastic | 71 | 25011-6 | Bolt, 5/16-18 x 3/4" GD.5 |
| 19 | 42538 | Shield, Heat | 72 | 25011-10 | Bolt, 5/16-18 x 1-1/4" GD.5 |
| 20 | 44635 | Pivot Mount | 73 | 25011-14 | Bolt, 5/16-18 x 1-3/4" GD.5 |
| 21 | 44634 | Blade Engagement Pivot | 74 | 25012-6 | Bolt, 5/16-24 x 3/4" GD.5 |
| 22 | 42641 | Screen | 75 | 25164 | Washer, 5/16" Fender |
| 23 | 25141-17 | Eye Bolt | 76 | 25170 | Washer, 5/16" Lock |
| 24 | 25223 | Bolt, 1/2" x 1" Shoulder | 77 | 25155 | Washer, 5/16" SAE |
| 25 | 20979 | Clevis, 5/16-24, Plastic | 78 | 25139 | Nut, 5/16-18 Hex Lg. Serr. Flange |
| 26 | 42555-009 | Rod, Brake Linkage | 79 | 22308 | Body Clip, 5/16-18 x 1/2" Deep |
| 27 | 20980 | Clevis, 5/16-24, Steel | 80 | 25035 | Nut, 5/16-24 Hex |
| 28 | 25217-7 | Pin, 1/4" x 7/8" Clevis | 81 | 25013-12 | Bolt, 3/8-16 x 1-1/2" GD.5 |
| 29 | 20639 | Spring, Extension | 82 | 25013-16 | Bolt, 3/8-16 x 2" GD.5 |
| 30 | 42533 | Rod, Transmission Control | 83 | 25013-28 | Bolt, 3/8-16 x 3-1/2" GD.5 |
| 31 | 21098 | Bearing, Flange | 84 | 25013-40 | Bolt, 3/8-16 x 5" |
| 32 | 42595 | Mount, Brake Caliper | 85 | 25156 | Washer, 3/8" SAE |
| 33 | 20968 | Brake-Left Side | 86 | 25128 | Nut, 3/8-16 Hex Serr. Flange |
| -- | 20969 | Brake-Right Side | 87 | 25100 | Nut, 3/8-16 Hex Side Lock |
| 33A | ----- | Brake Housing | 88 | 25096 | Nut, 3/8-16 Hex Nylon Lock |
| 34 | 21878 | Bushing | | | |
| 35 | 21038 | Lever | | | |
| 36 | 21473 | Adjuster Bolt | | | |
| 37 | 21471 | Groove Pin | | | |
| 38 | 21472 | Jam Nut | | | |
| 39 | 21470 | Actuator Pin | | | |
| 40 | 21335 | Back Plate | | | |
| 41 | 21010 | Brake Pad | | | |
| 42 | 21088 | Anvil | | | |
| 43 | 42917 | Arm, Idler w/ Bushing | | | |
| -- | 20876B | Bushing, Brass | | | |
| 44 | 42134 | Spacer, Pivot | | | |
| 45 | 20807 | Spring, Extension | | | |
| 46 | 43628 | Pulley, Idler | | | |
| 47 | 42531 | Arm, Idler w/ Bushing | | | |
| -- | 20876B | Bushing, Brass | | | |
| 48 | 43627 | Pulley, Idler | | | |
| 49 | 43591 | Jackshaft Mount | | | |
| 50 | 30474 | Jackshaft Spindle Assembly | | | |
| 51 | 43660 | Shaft, Jackshaft | | | |
| 52 | 20866 | Snap Ring, Internal | | | |
| 53 | 41653 | Spindle Washer-Top | | | |

Transmission & Controls

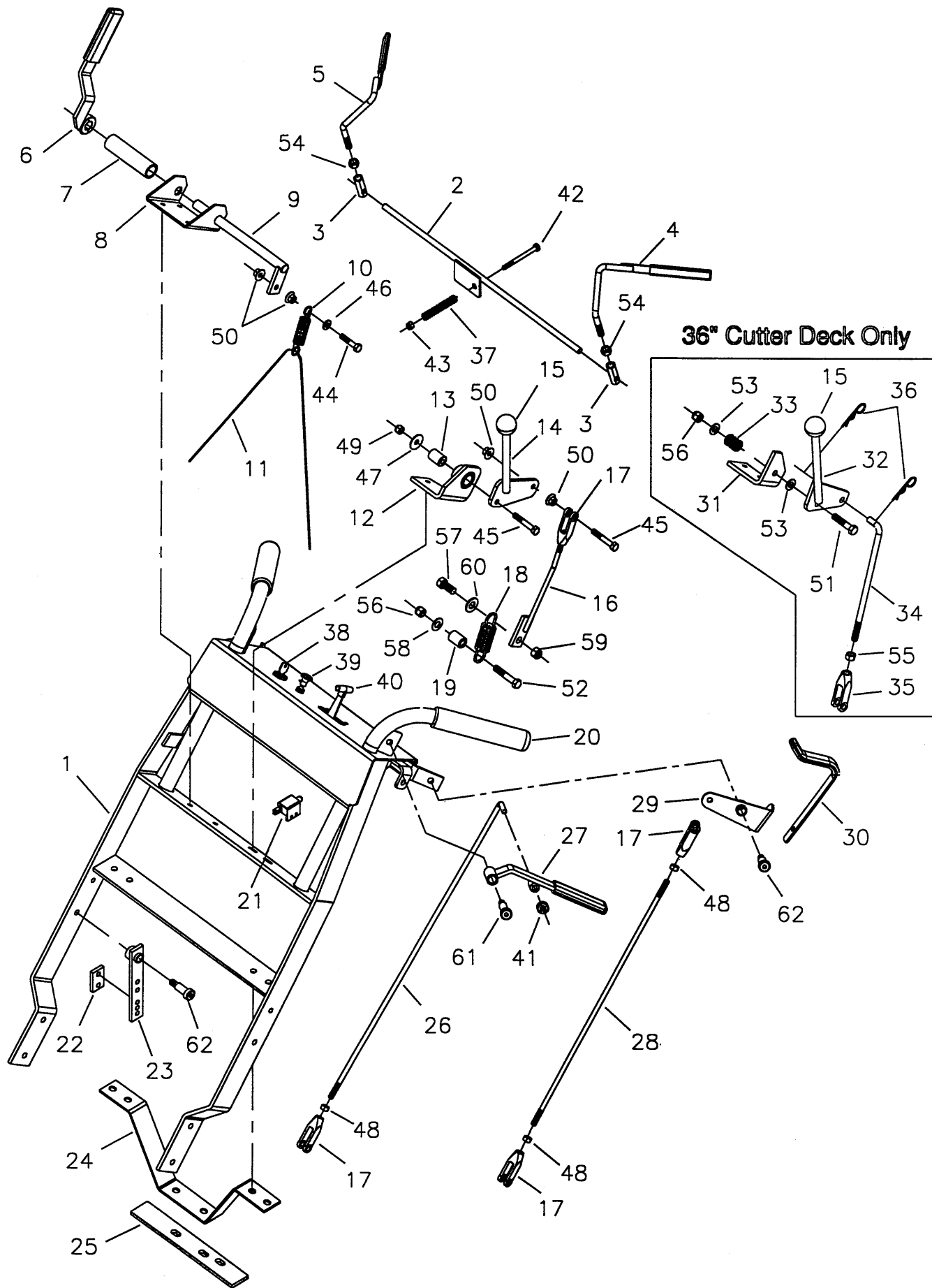


Transmission & Controls

| REF. NO. | PART NO. | DESCRIPTION |
|----------|------------|---|
| 1 | 21469 | Transmission |
| 2 | 21476 | Pulley, Transmission Input |
| 3 | 21084 | Key, Woodruff |
| 4 | 21081 | Fan, Transmission |
| 5 | 44577-009 | Washer, Transmission Fan |
| 6 | 25198-6 | Bolt, 1/4-20 x 3/4" GD.5 |
| 7 | 50407-9 | Key, 1/4" sq. x 2-1/2" |
| 8 | 25018-24 | Bolt, 1/2-20 x 3" GD.5 |
| 9 | 25098 | Nut, 1/2-20 Hex Nylon Lock |
| 10 | 42526 | Brake Disc |
| 11 | 42618 | Spacer, Hub |
| 12 | 42590 | Drive Hub |
| 13 | 21207 | 18" Tire/Rim Assembly |
| -- | 20604 | 16" Tire/Rim Assembly (HW32 & HW48T) |
| 14 | 20928 | Shim Washer |
| 15 | 21210 | Snap Ring |
| 16 | 20601 | Lug Nut |
| 17 | 42494 | Transmission Brace |
| -- | 44734 | Transmission Brace (SN 2266 & up, 36") (SN 2024 & up, 48") |
| 18 | 42646 | Skid Plate Washer |
| 19 | 25011-8 | Bolt, 5/16-18 x 1" GD.5 |
| 20 | 20639 | Spring |
| 21 | 43671 | Dump Valve Lever |
| 22 | 20149 | Key |
| 23 | 42537 | Control Arm |
| 24 | 25269 | 1/4-20 x 1-1/2" Allen Screw |
| 25 | 21170 | Ball Joint |
| 26 | 42551 | Neutral Linkage Rod |
| 27 | 20047 | Collar, 5/16" Set |
| 28 | 21004 | Spring, Reverse |
| 29 | 42550 | Neutral Bracket |
| 30 | 20637 | Spring, Forward |
| 31 | 42924 | Linkage Rod |
| 32 | 20979 | Clevis |
| 33 | 21469-1 | 90° Fitting |
| 34 | 21164 | Hose Clamp |
| 35 | 50848-8.25 | Hose, 8-1/4" |
| 36 | 42638 | Dump Valve Rod (before SN 2116, 36") (before SN 1733, 48") (SN 2266 & up, 36") (SN 2024 & up, 48") |
| 37 | 42636 | Dump Valve Extension (before SN 2116, 36") (before SN 1733, 48") (SN 2266 & up, 36") (SN 2024 & up, 48") |
| 38 | 21068-1 | Filter (before SN 1581) |

NOTE: All machines after SN 1581 are now equipped with an internal filter

Handle Bars

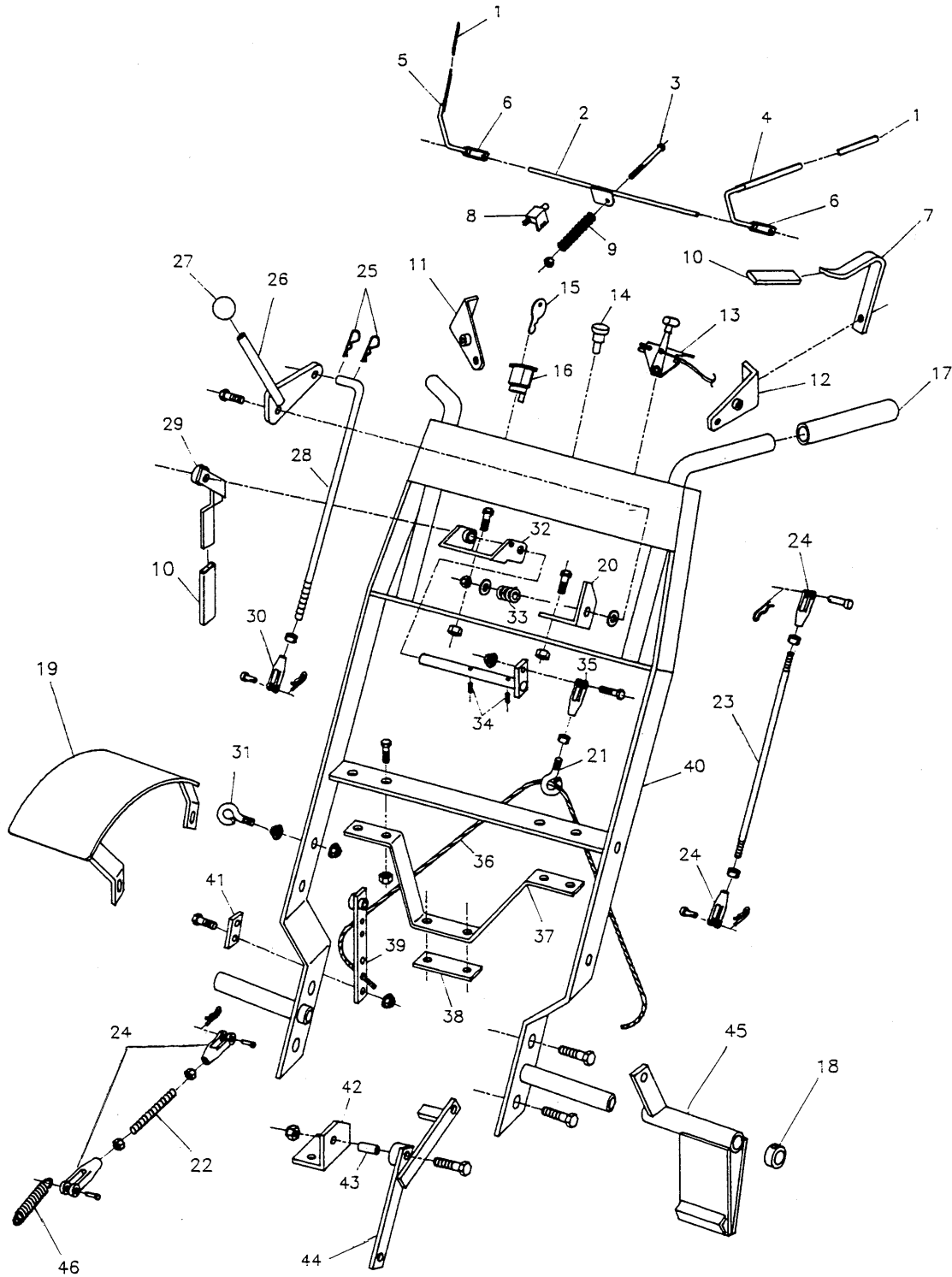


Handle Bars

| REF. NO. | PART NO. | DESCRIPTION | REF. NO. | PART NO. | DESCRIPTION |
|----------|-----------|-----------------------------------|----------|----------|---------------------------------|
| 1 | 30694 | Handle Bar Weldment | 42 | 25010-24 | Bolt, 1/4-20 x 3" GD.5 |
| 2 | 43424 | Rod, Switch Actuator | 43 | 25095 | Nut, 1/4-20 Hex Nylon Lock |
| 3 | 43417 | Adjuster, Hex | 44 | 25011-12 | Bolt, 5/16-18 x 1-1/2" GD.5 |
| 4 | 43425L | Operator Presence Left w/ Grip | 45 | 25011-16 | Bolt, 5/16-18 x 2" GD.5 |
| 5 | 43425R | Operator Presence Right w/ Grip | 46 | 25155 | Washer, 5/16" SAE |
| -- | 21490 | Grip, Vinyl | 47 | 25164 | Washer, 5/16" Fender |
| 6 | 44625 | Handle, Parking Brake | 48 | 25033 | Nut, 5/16-24 Hex |
| -- | 25510 | Grip, Foam | 49 | 25057 | Nut, 5/16-18 Hex Nylon Lock |
| 7 | 50079-4 | 3/4" PVC, 4" Long | 50 | 25139 | Nut, 5/16-18 Hex Lg. Serr. Flg. |
| 8 | 42627 | Mount, Parking Brake | 51 | 25013-14 | Bolt, 3/8-16 x 1-3/4" GD.5 |
| 9 | 42633 | Shaft, Parking Brake | 52 | 25013-16 | Bolt, 3/8-16 x 2" GD.5 |
| 10 | 21242 | Spring, Extension | 53 | 25156 | Washer, 3/8" SAE |
| 11 | 50832-3 | Wire Cable, 31-1/2" Long | 54 | 25034 | Nut, 3/8-16 Hex |
| 12 | 42653 | Bracket, Blade Engage. w/ Bushing | 55 | 25035 | Nut, 3/8-24 Hex |
| -- | 20876B | Bushing, Brass | 56 | 25096 | Nut, 3/8-16 Hex Nylon Lock |
| 13 | 42134 | Spacer, Pivot | 57 | 25015-8 | Bolt, 7/16-14 x 1" GD.5 |
| 14 | 42655 | Handle, Blade Engagement | 58 | 25157 | Washer, 7/16" SAE |
| 15 | 21733 | Knob, Plastic | 59 | 25125 | Nut, 7/16-14 Hex Nylon Lock |
| 16 | 42654 | Linkage, Blade Engagement | 60 | 25158 | Washer, 1/2" SAE |
| 17 | 20979 | Clevis, 5/16-24, Plastic | 61 | 25220 | Bolt, 1/2" x 1-1/2" Shoulder |
| 18 | 21107 | Spring, Extension | 62 | 25223 | Bolt, 1/2" x 1" Shoulder |
| 19 | 42658-009 | Pivot, Spring | | | |
| 20 | 20837 | Grip, Foam | | | |
| 21 | 21451 | Switch, Plunger, N.O. | | | |
| 22 | 42624-009 | Clamp, Cable | | | |
| 23 | 42548 | Pivot, Brake | | | |
| 24 | 42523 | Support, Handle Bar | | | |
| 25 | 42682 | Support, Engine Deck | | | |
| 26 | 42547-009 | Rod, Brake Handle Linkage | | | |
| 27 | 21982 | Handle, Brake w/ Grip | | | |
| -- | 25510 | Grip, Foam | | | |
| 28 | 42554-009 | Rod, Thumb Control Linkage | | | |
| 29 | 42542L | Pivot, Thumb Control-Left | | | |
| -- | 42542R | Pivot, Thumb Control-Right | | | |
| 30 | 42614 | Thumb Control w/ Grip | | | |
| -- | 25510 | Grip, Foam | | | |
| 31 | 41491 | Bracket, Blade Engagement | | | |
| 32 | 42557 | Handle, Blade Engagement | | | |
| 33 | 20808 | Spring, Compression | | | |
| 34 | 42380 | Rod, 36" Blade Engagement | | | |
| 35 | 21171 | Clevis, 3/8-24, Plastic | | | |
| 36 | 25210 | Pin, Hair | | | |
| 37 | 20637 | Spring, Compression | | | |
| 38 | 21275 | Switch, Ignition | | | |
| -- | 20878 | Ignition Key | | | |
| 39 | 20810 | Cable, Choke, 43" (Kohler only) | | | |
| 40 | 21151 | Cable, Throttle, 31" | | | |
| 41 | 20047 | Collar, 5/16" Set | | | |

Handle Bars

MODEL HW32KA (9hp, 32" Side Discharge)



Handle Bars

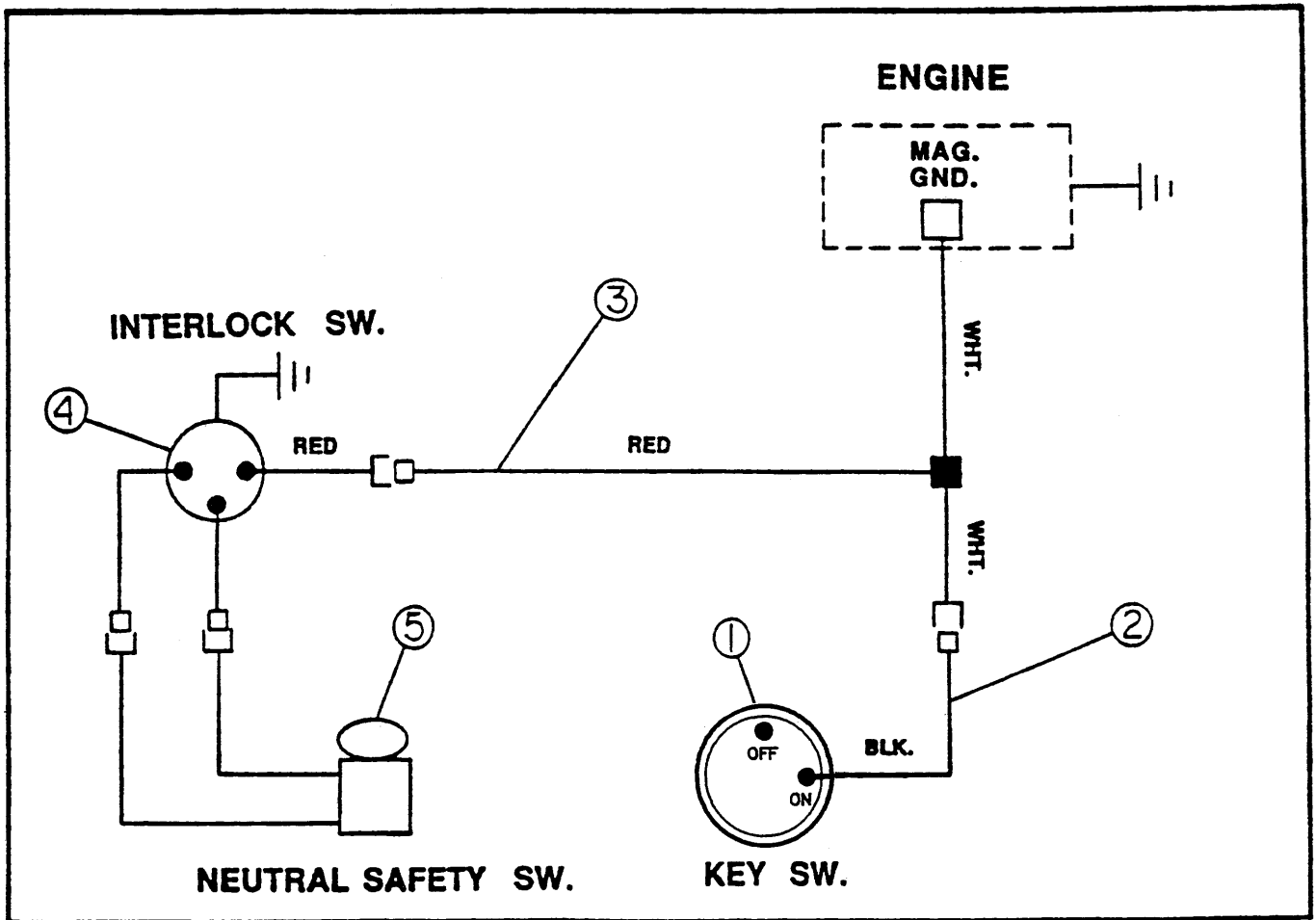
MODEL HW32KA (9 hp, 32" Side Discharge)

| REF. NO. | PART NO. | DESCRIPTION | REF. NO. | PART NO. | DESCRIPTION |
|----------|----------|---------------------------------|----------|----------|--------------------------|
| 1 | 21490 | Grip | 35 | 42979 | Clevis |
| 2 | 43424 | Switch Rod | 36 | 50832-3 | Wire Cable, 31-1/2" Long |
| 3 | 25010-24 | 1/4-20 x 3" GD. 5 Bolt | 37 | 42523 | Handle Bar Support |
| 4 | 43425L | Operator Presence Left w/ Grip | 38 | 42682 | Deck Support |
| 5 | 43425R | Operator Presence Right w/ Grip | 39 | 42548 | Brake pivot |
| 6 | 43417 | Hex Adjuster | 40 | 30745 | Handle Bar Weldment 32" |
| 7 | 42614 | Thumb Control w/ Grip | 41 | 42624 | Cable Clamp |
| 8 | 21451 | Plunger Switch | 42 | 42587 | Clutch Pivot Bracket |
| 9 | 20637 | Spring | 43 | 41731 | Spacer |
| 10 | 25510 | Grip | 44 | 42573 | Blade Engagement Pivot |
| 11 | 42542R | Thumb Control Pivot Right | 45 | 42975 | Brake Plate Left |
| 12 | 42542L | Thumb Control Pivot Left | -- | 42976 | Brake Plate Right |
| 13 | 21151 | Throttle Cable | 46 | 20639 | Spring |
| 14 | 21276 | Choke Cable (Kohler Only) | | | |
| 15 | 20878 | Ignition Key | | | |
| 16 | 21275 | Key Switch | | | |
| 17 | 20837 | Grip | | | |
| 18 | 10116 | 3/4" Set Collar | | | |
| 19 | 42976 | Fender | | | |
| 20 | 41491 | Blade Engagement Bracket | | | |
| 21 | 25141-26 | Eye Bolt | | | |
| 22 | 25118-24 | Threaded Rod | | | |
| 23 | 42554 | Direction Linkage Rod | | | |
| 24 | 20979 | Clevis | | | |
| 25 | 25210 | Hair Pin | | | |
| 26 | 42557 | Blade Engagement Lever | | | |
| 27 | 10551 | Knob | | | |
| 28 | 42380 | Blade Engagement Rod | | | |
| 29 | 42644 | Parking Brake Lever | | | |
| 30 | 21171 | Clevis | | | |
| 31 | 25141-17 | Eye Bolt | | | |
| 32 | 42627 | Parking Brake Mount | | | |
| 33 | 20808 | Spring | | | |
| 34 | 25515 | Roll Pin | | | |

Electrical Schematic

Machines WITHOUT Operator Presence

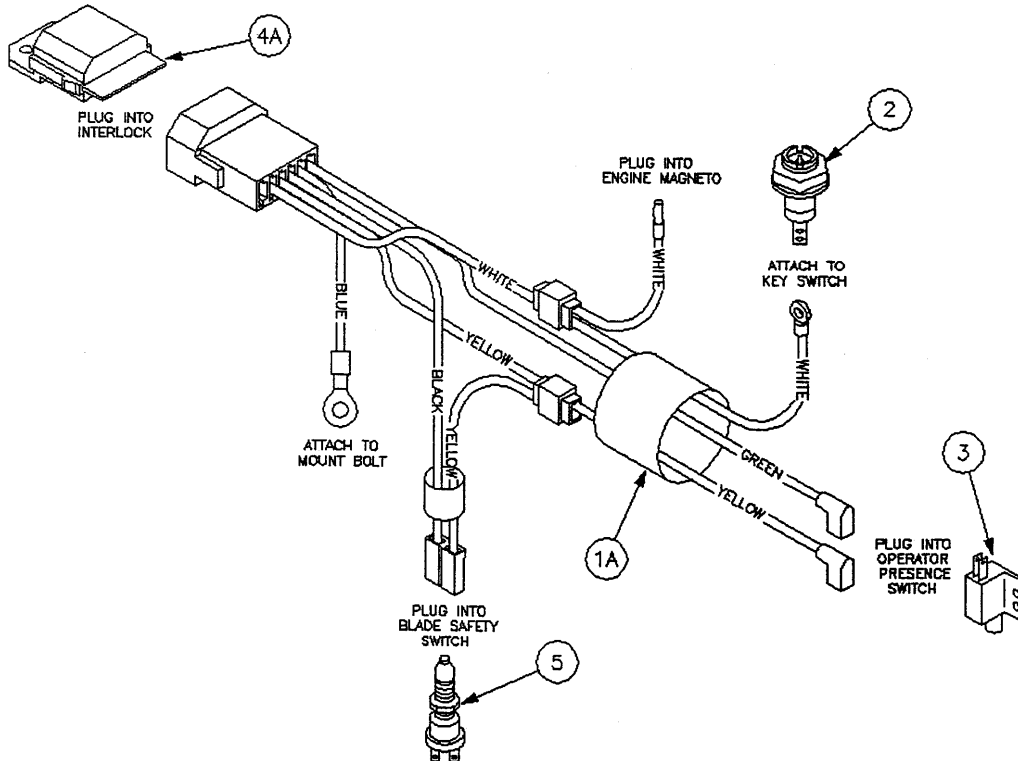
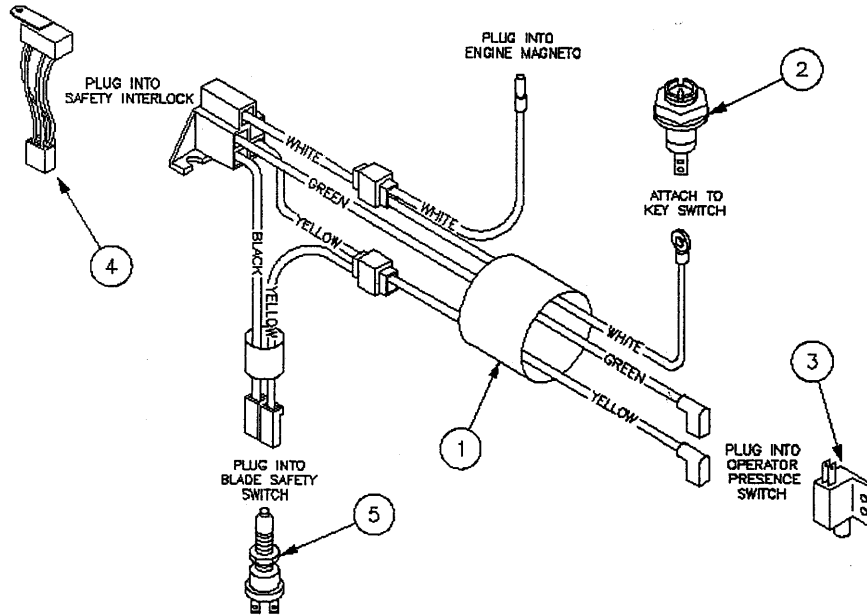
| REF. NO. | PART NO. | DESCRIPTION |
|----------|----------|--|
| 1 | 1521275 | Key Switch |
| 2 | 1542732 | Packard Connector Wire Assembly |
| 3 | 1542650 | Engine Wire Assembly |
| 4 | 1542648 | Interlock Assembly (Kohler) |
| -- | 1542730 | Interlock Assembly (Briggs, Kawasaki, Honda) |
| 5 | 1542647 | Red Switch (before SN: 370) |
| -- | 1542769 | Black Switch (SN: 371 & up) |



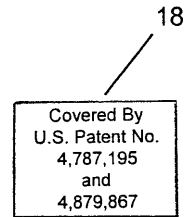
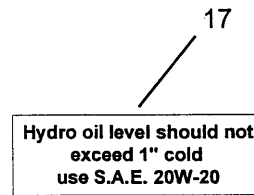
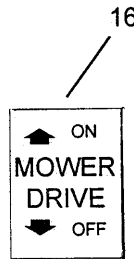
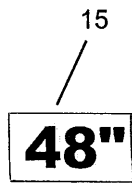
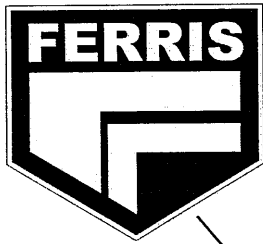
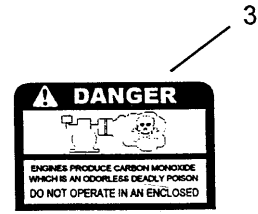
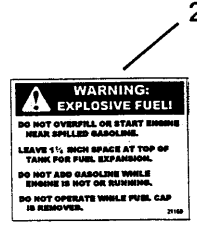
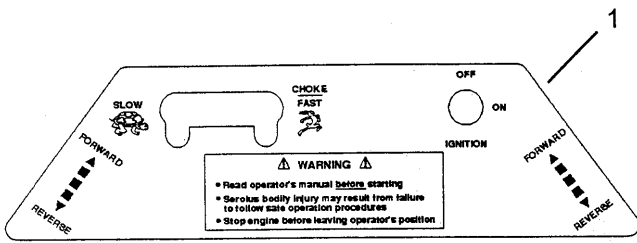
Electrical Schematic

(Machines WITH Operator Presence)

| REF. NO. | PART NO. | DESCRIPTION |
|----------|----------|--|
| 1 | 30747 | Main Harness |
| 1A | 31076 | HW Kawasaki Wire Harness |
| — | 31077 | HW Kohler Wire Harness (not shown) |
| 2 | 21275 | Key Switch |
| 3 | 21451 | Plunger Switch |
| 4 | 21452 | Interlock Switch (Use with #30747 only) |
| — | 43430 | Kohler Interlock Assembly (Use with #30747 only) |
| 4A | 21833 | Interlock (Used with #31076 & #31077) |
| 5 | 21522 | Plunger Switch |



Replacement Decals



| REF. NO. | PART NO. | DESCRIPTION | REF. NO. | PART NO. | DESCRIPTION |
|----------|----------|-------------------------------------|----------|----------|-----------------------------|
| 1 | 21243 | Decal, HW Dash | 10 | 20846 | Decal, Commercial |
| 2 | 21159 | Decal, Warning Explosive Fuel | 11 | 21244 | Decal, HydroWalk |
| 3 | 21411 | Decal, Danger Carbon Monoxide | 12 | 22295 | Decal, HydroWalk SD |
| 4 | 20852 | Decal, Ferris Logo-Large (48" only) | 13 | 21387 | Decal, 32" |
| 5 | 22297 | Decal, Ferris Logo-Medium | 14 | 21245 | Decal, 36" |
| 6 | 20851 | Decal, Danger | 15 | 21266 | Decal, 48" |
| 7 | 20850 | Decal, Warning | 16 | 20940 | Decal, Mower Drive On/Off |
| 8 | 21246 | Decal, Parking Brake-HW | 17 | 21247 | Decal, Hydro Oil Level |
| 9 | 21036 | Decal, Grease Daily | 18 | 21167 | Decal, Walker Patent Number |