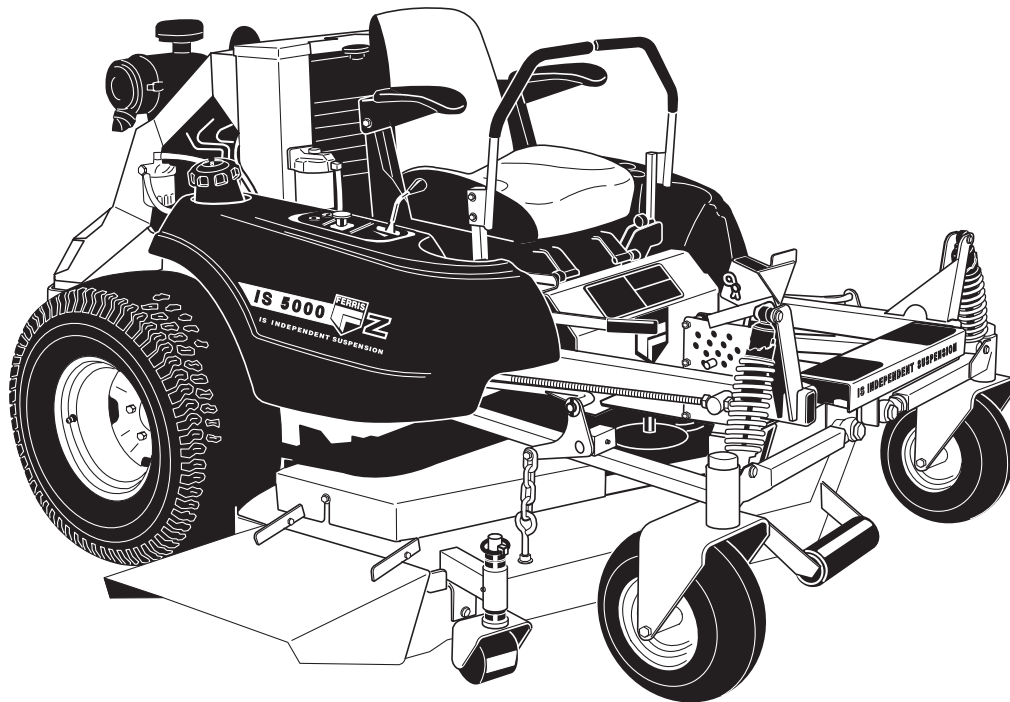




Parts Manual

IS5000Z Series

Zero-Turn Riding Mower



Models:

5901070
5901071
5901073
5901074
5900201
5900203
5900204

Ferris Industries
5375 North Main Street
Munnsville, NY 13409 USA
800-933-6175

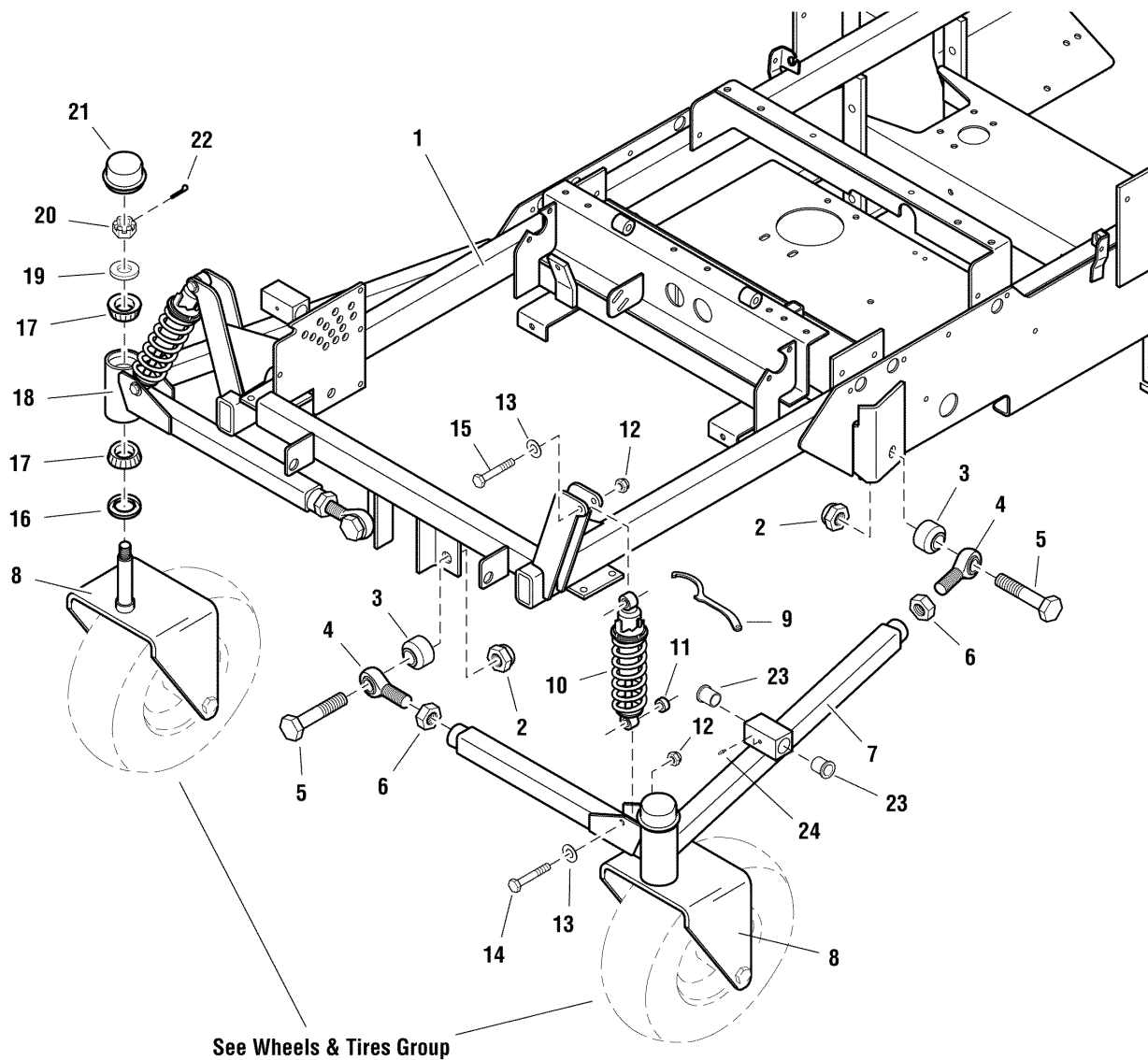
5022903
Revision 13
Rev. Date: 1/2006
TP 400-7061-13-5Z-F

MODEL COMPONENTS	PAGE
Main Frame & Front Suspension Group	4
Hood, Bumper & Shield Group - Diesel (Early Models)	6
Hood, Bumper & Shield Group - Diesel (Later Models)	8
Hood, Bumper & Shield Group - Gas	10
Floor Pan & Brake Cover Group	12
Seat Compartment Group	14
Seat & Mount Group	16
Fuel Supply Hose & Tank Replacement Parts Group - Diesel	18
Fuel Supply Hose & Tank Replacement Parts Group - Gas	20
Fuel Tank & Mount Group (Early Models)	22
Fuel Tank & Mount Group (Later Models)	24
Instrument & Control Panel Group - Diesel (S/N: 880 & below)	26
Instrument & Control Panel Group - Diesel (S/N: 881 & above)	28
Instrument & Control Panel Group - Gas	30
Engine Accessories Group - Diesel (Early Models)	32
Engine Accessories Group - Diesel (Later Models)	36
Engine Accessories Group - Gas	40
Engine & PTO Group - Gas	42
Engine & PTO Group - Diesel	44
Radiator Accessories Group	46
PTO Clutch Drive Group	48
Pump Drive Group - Diesel	50
Pump Drive Group - Gas	52
Motion Control Group - Lower	54
Motion Control Group - Upper	56
Hydraulic Group - Diesel (Early Models)	60
Hydraulic Group - Diesel (Later Models)	62
Hydraulic Group - Gas	64
Parking Brake Group - Lower	66
Parking Brake Group - Upper	68
Deck Lift Group	70
Gearbox Mount Group	74
Wheels & Tires Group	76
Decal Group - Brand & Model	78
Decal Group - Safety & Operation - North American Models	80
Decal Group - Safety & Operation - CE Models	82
Oil Cooler Mount Group (Early Models)	84
Oil Cooler Mount Group (Later Models)	86
Suspension Group - Rear	88
61" & 72" Mower Deck - Hanger Chains	90
61" Mower Deck - Deflector & Shield - Rear Discharge	92
61" Mower Deck - Housing, Covers, Spindles & Blades - Rear Discharge	94
61" Mower Deck - Pulleys, Belt & Idler Arm - Rear Discharge	96
61" Mower Deck - Rollers & Casters - Rear Discharge	98
61" & 72" Mower Deck - Rear Mount Bars	100
72" Mower Deck - Deflector & Shield - Rear Discharge	102
72" Mower Deck - Housing, Covers, Spindles & Blades	104
72" Mower Deck - Housing, Covers, Spindles & Blades - Rear Discharge	106
72" Mower Deck - Pulleys, Belt & Idler Arm	108
72" Mower Deck - Rollers & Casters	110
Electrical Schematics - Diesel (S/N: 410 & below)	112-117
Electrical Schematics - Diesel (S/N: 411 & above)	118-123
Electrical Schematics - Gas	124-127
Torque Specification Chart	Inside Back Cover

Main Frame & Front Suspension Group

NOTE: Unless noted otherwise,
use the standard hardware torque
specification chart.

061FRM0



The above parts group applies to the following Mfg. Nos.:

5901070 (S/N: 1225 & below) (IS5000Z/C3)
5901074 (S/N: 1225 & below) (IS5000Z/C3)
5901071 (S/N: 1225 & below) (IS5000Z/C3)
5901073 (IS5000Z/D34)

Main Frame & Front Suspension Group

REF NO	PART NO.	QTY.	DESCRIPTION
1	5047339B	1	MAIN FRAME
2	5025284	4	NUT, 3/4-16 Hex Nylon Lock
3	5046093	4	SPACER, .75 x 1.50 x 1.00
4	5022039	4	BALL JOINT, 3/4-16 Male
5	5025265X28	4	BOLT, 3/4-16 x 3-1/2
6	5025093	4	NUT, 3/4-16 Hex Jam
7	5047350	1	SUSPENSION ARM - LH (Includes Ref No's 23 and 24)
8	5045769B	2	CASTER TIRE MOUNT
9	5022853	1	SPANNER WRENCH
10	5022842	2	SHOCK & SPRING ASSEMBLY
11	5044933	2	SPACER, .39 x .75 x .38
12	5025096	4	NUT, 3/8-16 Hex Nylon Lock
13	5025156	4	WASHER, 3/8" SAE
14	5025013X20	2	BOLT, 3/8-16 x 2-1/2
15	5025013X18	2	BOLT, 3/8-16 x 2-1/4
16	5021072	2	GREASE SEAL
17	5020884	4	BEARING, Tapered Roller
18	5047351	1	SUSPENSION ARM - RH (Includes Ref No's 23 and 24))
19	5025160	2	WASHER, 3/4" SAE
20	5025104	2	NUT, 3/4-16 Hex Slotted
21	5021073	2	CAP
22	5025203X10	2	COTTER PIN, 1/8" X 1-1/4"
23	5023343	4	BUSHING, 1.00 X 1.13 X 1.38, Plastic (Qty. (2) per suspension arm)
24	5020095	2	GREASE FITTING, 1/4-28 Straight

Footnotes

The above parts group applies to the following Mfg. Nos.:

5901070 (S/N: 1225 & below) (IS5000Z/C3)

5901074 (S/N: 1225 & below) (IS5000Z/C3)

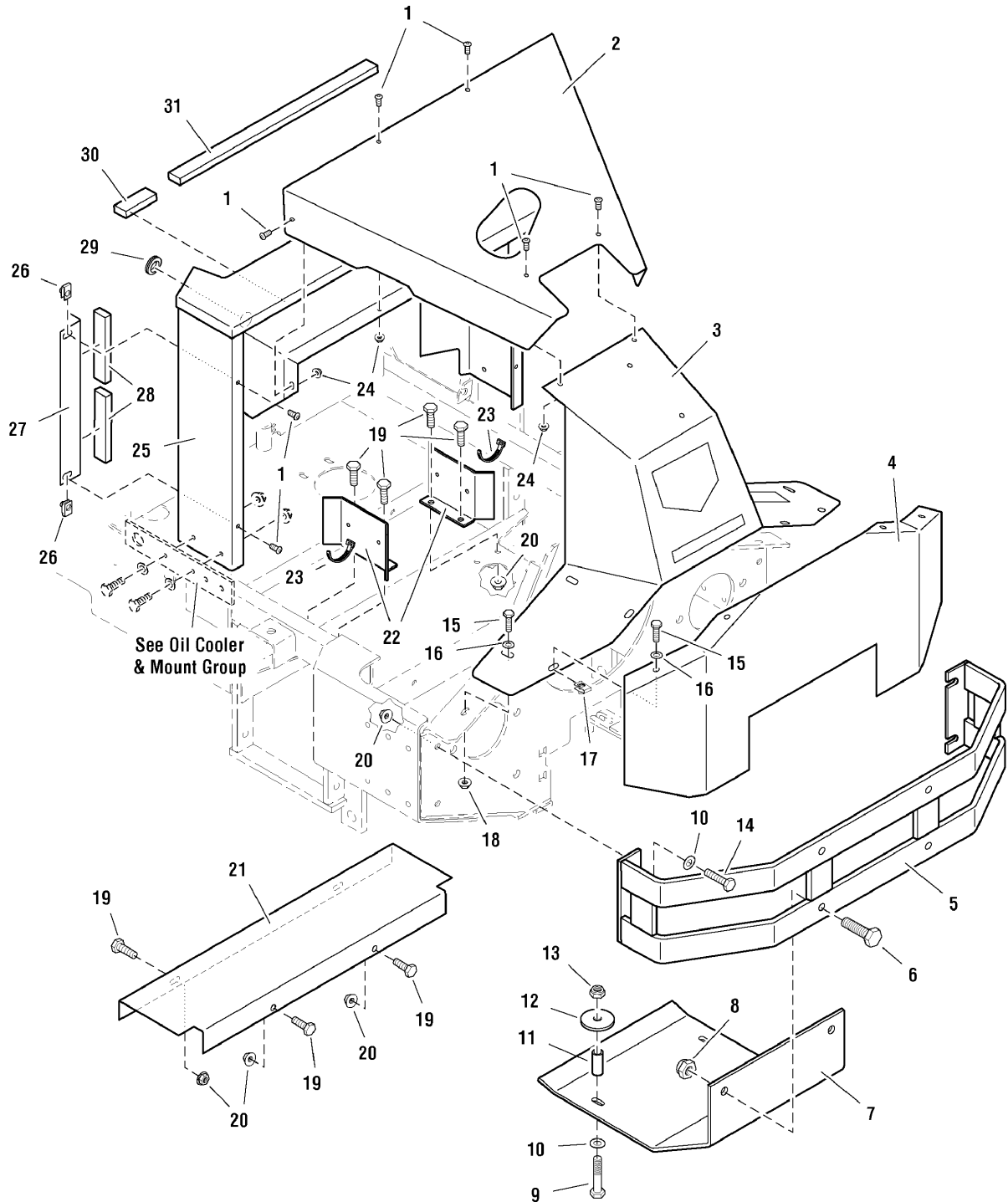
5901071 (S/N: 1225 & below) (IS5000Z/C3)

5901073 (IS5000Z/D34)

Hood, Bumper & Shield Group - Diesel (Early Models)

061HDBD0

NOTE: Unless noted otherwise,
use the standard hardware torque
specification chart.



The above parts group applies to the following Mfg. Nos.:
5901070 (S/N: 1225 & below) (IS5000Z/C3)

Hood, Bumper & Shield Group - Diesel (Early Models)

REF NO	PART NO.	QTY.	DESCRIPTION
1	5025299X4	10	SCREW, Allen Head, 1/4-20 x 1/2
2	5047555B	1	HOOD
3	5047552B	1	REAR HOOD SUPPORT
4	5045784B	1	REAR SHIELD
5	5047578B	1	BUMPER
6	5025018X12	2	BOLT, 1/2-20 x 1-1/2
7	5047581B	1	SKID SHIELD
8	5025098	2	NUT, 1/2-20 Hex Nylon Lock
9	5025013X20	2	BOLT, 3/8-16 x 2-1/2
10	5025156	6	WASHER, 3/8" SAE
11	5044992	2	SPACER, .38 x .50 x 1.56
12	5025305	2	WASHER, 3/8 x 1-3/4
13	5025096	2	NUT, 3/8-16 Hex Nylon Lock
14	5025013X10	4	BOLT, 3/8-16 x 1-1/4
15	5025011X8	8	BOLT, 5/16-18 x 1
16	5025155	8	WASHER, 5/16" SAE
17	5022308	4	BODY CLIP, 5/16-18
18	5025127	4	NUT, 5/16-18 Hex Small Serrated Flange
19	5025013X8	8	BOLT, 3/8-16 x 1
20	5025128	12	NUT, 3/8-16 Hex Serrated Flange
21	5047545B	1	DEBRIS SHIELD
22	5047587B	2	SUPPORT PLATE
23	5021029	2	TIE WRAP, 11"
24	5025126	6	NUT, 1/4-20 Hex Serrated Flange
25	5047436B	1	RADIATOR SHROUD
26	5022665	4	BODY CLIP, 1/4-20
27	5047749B	2	RADIATOR SEAL ANGLE
28	5050913X7	4	FOAM SEAL, 7"
29	5021077	2	GROMMET, 1/2"
30	5050913X2	1	FOAM SEAL, 2"
31	5050913X16	1	FOAM SEAL, 16"

Footnotes

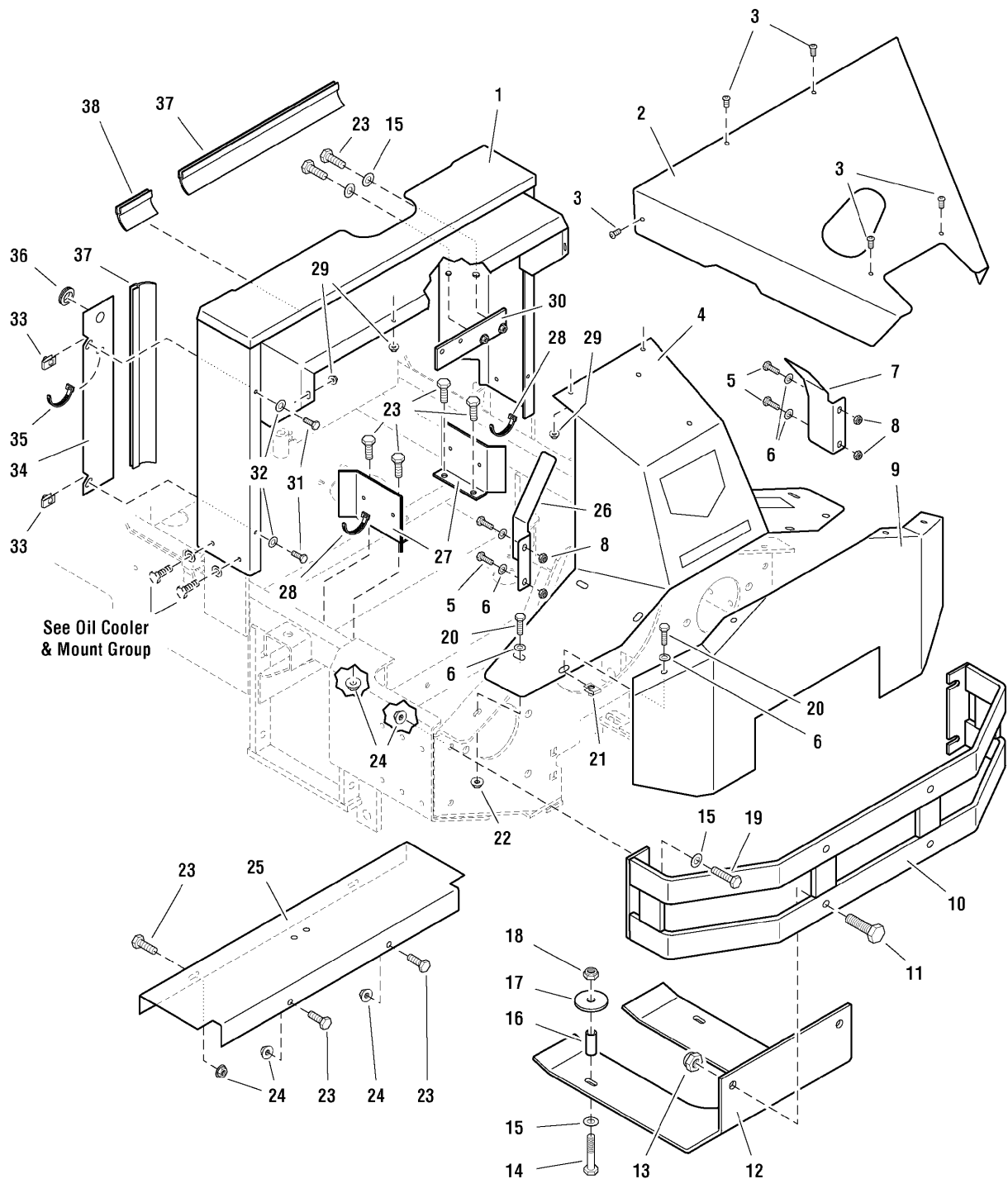
The above parts group applies to the following Mfg. Nos.:

5901070 (S/N: 1225 & below) (IS5000Z/C3)

Hood, Bumper & Shield Group - Diesel (Later Models)

061HDBD1

NOTE: Unless noted otherwise,
use the standard hardware torque
specification chart.



The above parts group applies to the following Mfg. Nos.:

5901070 (S/N: 1225 & below) (IS5000Z/C3)

5901074 (S/N: 1225 & below) (IS5000Z/C3)

5901071 (S/N: 1225 & below) (IS5000Z/C3)

Hood, Bumper & Shield Group - Diesel (Later Models)

REF NO	PART NO.	QTY.	DESCRIPTION
1	5048552B	1	RADIATOR SHROUD
2	5047555B	1	HOOD
3	5025299X6	6	SCREW, Allen Head, 1/4-20 x 3/4
4	5047552B	1	REAR HOOD SUPPORT
5	5025011X6	4	BOLT, 5/16-18 x 3/4
6	5025155	12	WASHER, 5/16" SAE
7	5048348B	1	FLYWHEEL GUARD-RH (Export models only)
8	5025057	4	NUT, 5/16-18 Hex Nylon Lock
9	5045784B	1	REAR SHIELD
10	5047578B	1	BUMPER
11	5025018X12	2	BOLT, 1/2-20 x 1-1/2
12	5047581B	1	SKID SHIELD
13	5025098	2	NUT, 1/2-20 Hex Nylon Lock
14	5025013X20	2	BOLT, 3/8-16 x 2-1/2
15	5025156	8	WASHER, 3/8" SAE
16	5044992	2	SPACER, .38 x .50 x 1.56
17	5025305	2	WASHER, 3/8 x 1-3/4
18	5025096	2	NUT, 3/8-16 Hex Nylon Lock
19	5025013X10	4	BOLT, 3/8-16 x 1-1/4
20	5025011X8	8	BOLT, 5/16-18 x 1
21	5022308	4	BODY CLIP, 5/16-18
22	5025127	4	NUT, 5/16-18 Hex Small Serrated Flange
23	5025013X8	10	BOLT, 3/8-16 x 1
24	5025128	12	NUT, 3/8-16 Hex Serrated Flange
25	5047545B	1	DEBRIS SHIELD
26	5048349B	1	FLYWHEEL GUARD-LH (Export models only)
27	5047587B	2	SUPPORT PLATE
28	5021029	2	TIE WRAP, 11"
29	5025391	6	NUT, 1/4-20 Hex Nylock Flange
30	5048627B	1	MOUNT, Water Separator
31	5025010X6	4	BOLT, 1/4-20 x 3/4
32	5025154	4	WASHER, 1/4" SAE
33	5022665	4	BODY CLIP, 1/4-20
34	5048557B	2	SIDE BAFFLE
35	5021030	2	TIE WRAP, 5-1/2"
36	5021077	2	GROMMET, 1/2"
37	5050926X17	3	WIPER SEAL, 17"
38	5050926X3	1	WIPER SEAL, 3"

Footnotes

The above parts group applies to the following Mfg. Nos.:

5901070 (S/N: 1225 & below) (IS5000Z/C3)

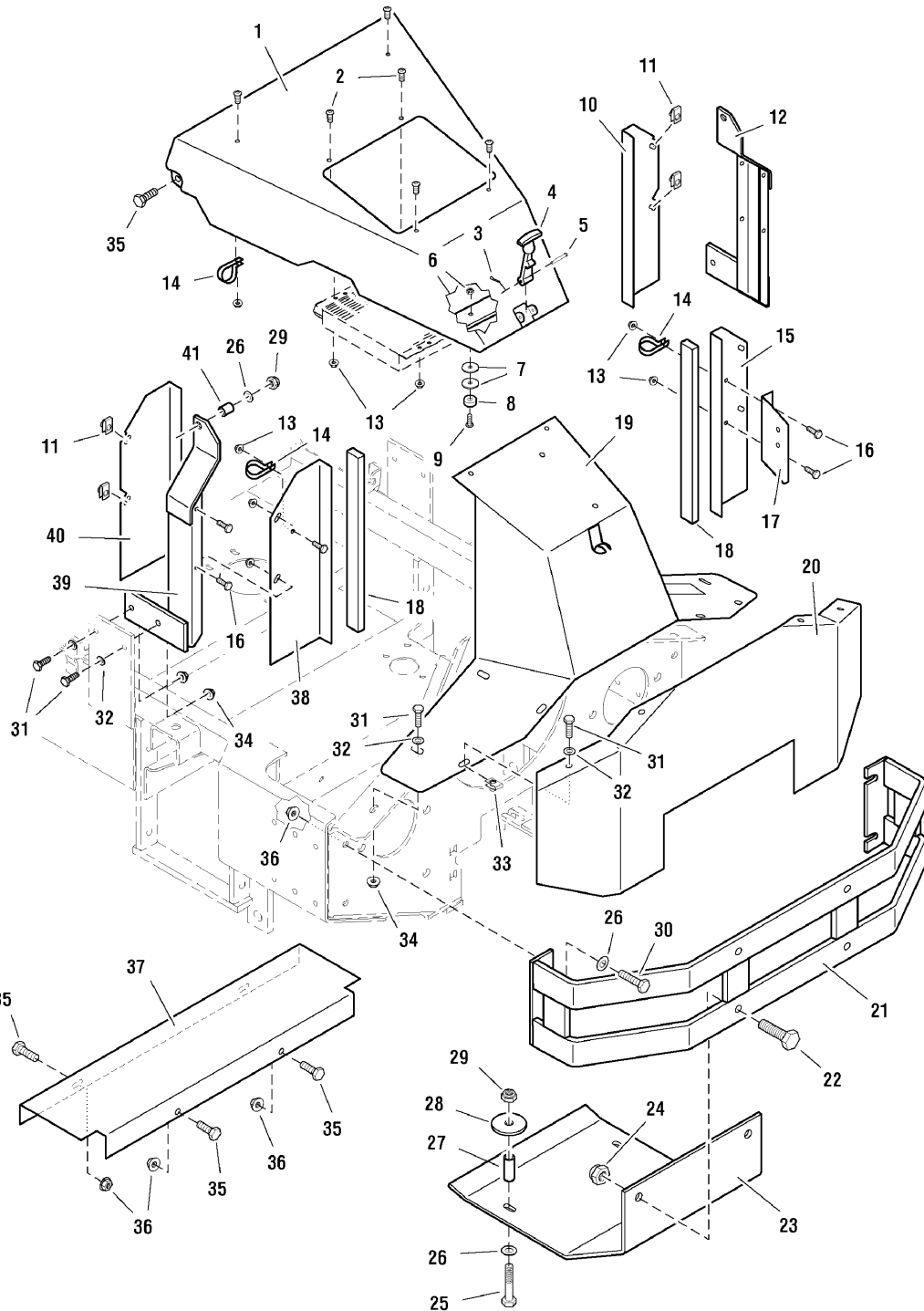
5901074 (S/N: 1225 & below) (IS5000Z/C3)

5901071 (S/N: 1225 & below) (IS5000Z/C3)

Hood, Bumper & Shield Group - Gas

061HDBG0

NOTE: Unless noted otherwise,
use the standard hardware torque
specification chart.



The above parts group applies to the following Mfg. Nos.:
5901073 (IS5000Z/D34)

Hood, Bumper & Shield Group - Gas

REF NO	PART NO.	QTY.	DESCRIPTION
1	5047973B	1	HOOD
2	5025299X6	6	SCREW, Allen Head, 1/4-20 x 3/4
3	5020841X5	1	COTTER PIN
4	5020841X1	1	RUBBER LATCH
5	5020841X4	1	CLEVIS PIN
6	5025271	2	NUT, #10-24 Hex Nylon Lock
7	5025288	4	WASHER, 1/4" Fender
8	5022997	2	RUBBER BUMPER
9	25179-6	2	SCREW, #10-24 x 3/4
10	5047984B	1	SHROUD COVER-RH
11	5022665	4	BODY CLIP, 1/4-20
12	5047967B	1	HOOD MOUNT CHANNEL-RH
13	5025126	13	NUT, 1/4-20 Hex Serrated Flange
14	5021500	4	CLAMP, Vinyl
15	5047976B	1	AIR BAFFLE-RH
16	5025010X5	11	BOLT, 1/4-20 x 5/8
17	5047974B	1	OVERFLOW BOTTLE MOUNT
18	5050913X16	2	FOAM SEAL, 16"
19	5047962B	1	REAR HOOD SUPPORT
20	5045784B	1	REAR SHIELD
21	5047578B	1	BUMPER
22	5025018X12	2	BOLT, 1/2-20 x 1-1/2
23	5047581B	1	SKID SHIELD
24	5025098	2	NUT, 1/2-20 Hex Nylon Lock
25	5025013X20	2	BOLT, 3/8-16 x 2-1/2
26	5025156	4	WASHER, 3/8" SAE
27	5044992	2	SPACER, .38 x .50 x 1.56
28	5025305	2	WASHER, 3/8 x 1-3/4
29	5025096	4	NUT, 3/8-16 Hex Nylon Lock
30	5025013X10	4	BOLT, 3/8-16 x 1-1/4
31	5025011X8	12	BOLT, 5/16-18 x 1
32	5025155	12	WASHER, 5/16" SAE
33	5022308	4	BODY CLIP, 5/16-18
34	5025127	8	NUT, 5/16-18 Hex Small Serrated Flange
35	5025013X8	6	BOLT, 3/8-16 x 1
36	5025128	4	NUT, 3/8-16 Hex Serrated Flange
37	5047545B	1	DEBRIS SHIELD
38	5047975B	1	AIR BAFFLE-LH
39	5047966B	1	HOOD MOUNT CHANNEL-LH
40	5047983B	1	SHROUD COVER-LH
41	5041930	2	SPACER, .38 x .50 x .27

Footnotes

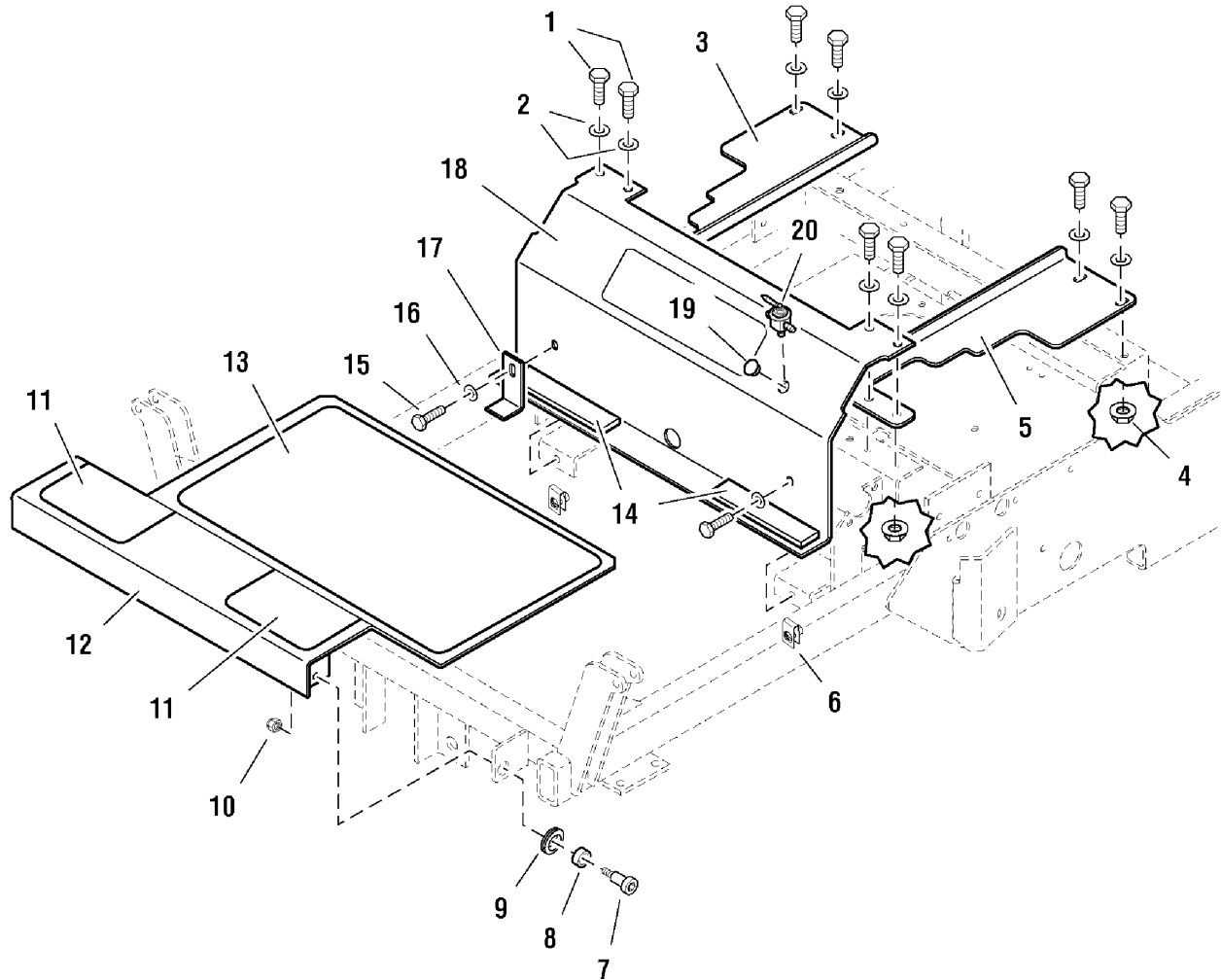
The above parts group applies to the following Mfg. Nos.:

5901073 (IS5000Z/D34)

Floor Pan & Brake Cover Group

061FLR0

NOTE: Unless noted otherwise,
use the standard hardware torque
specification chart.



The above parts group applies to the following Mfg. Nos.:

5901070 (S/N: 1225 & below) (IS5000Z/C3)

5901074 (S/N: 1225 & below) (IS5000Z/C3)

5901071 (S/N: 1225 & below) (IS5000Z/C3)

5901073 (IS5000Z/D34)

Floor Pan & Brake Cover Group

REF NO	PART NO.	QTY.	DESCRIPTION
1	5025013X8	8	BOLT, 3/8-16 x 1
2	5025156	8	WASHER, 3/8" SAE
3	5047548B	1	SHIELD - RH
4	5025128	8	NUT, 3/8-16 Hex Serrated Flange
5	5047549B	1	SHIELD - LH
6	5022308	2	BODY CLIP, 5/16-18
7	5025340	2	SHOULDER BOLT, 3/8 x 5/8
8	5041600	2	SLEEVE
9	5022816	2	GROMMET
10	5025057	2	NUT, 5/16-18 Hex Nylon Lock
11	5045915	2	SAFETY WALK
12	5045333B	1	FLOOR PAN
13	5044873	1	SAFETY WALK
14	5021877	2	RUBBER PAD
15	5025011X6	2	BOLT, 5/16-18 x 3/4
16	5025155	2	WASHER, 5/16" SAE
17	5047285B	1	HOLD DOWN (Export models only)
18	47636	1	BRAKE COVER PANEL ASSEMBLY
19	5021003	1	HOLE PLUG (Diesel model)
20	5022976	1	FUEL SHUT OFF VALVE (Gas model)

Footnotes

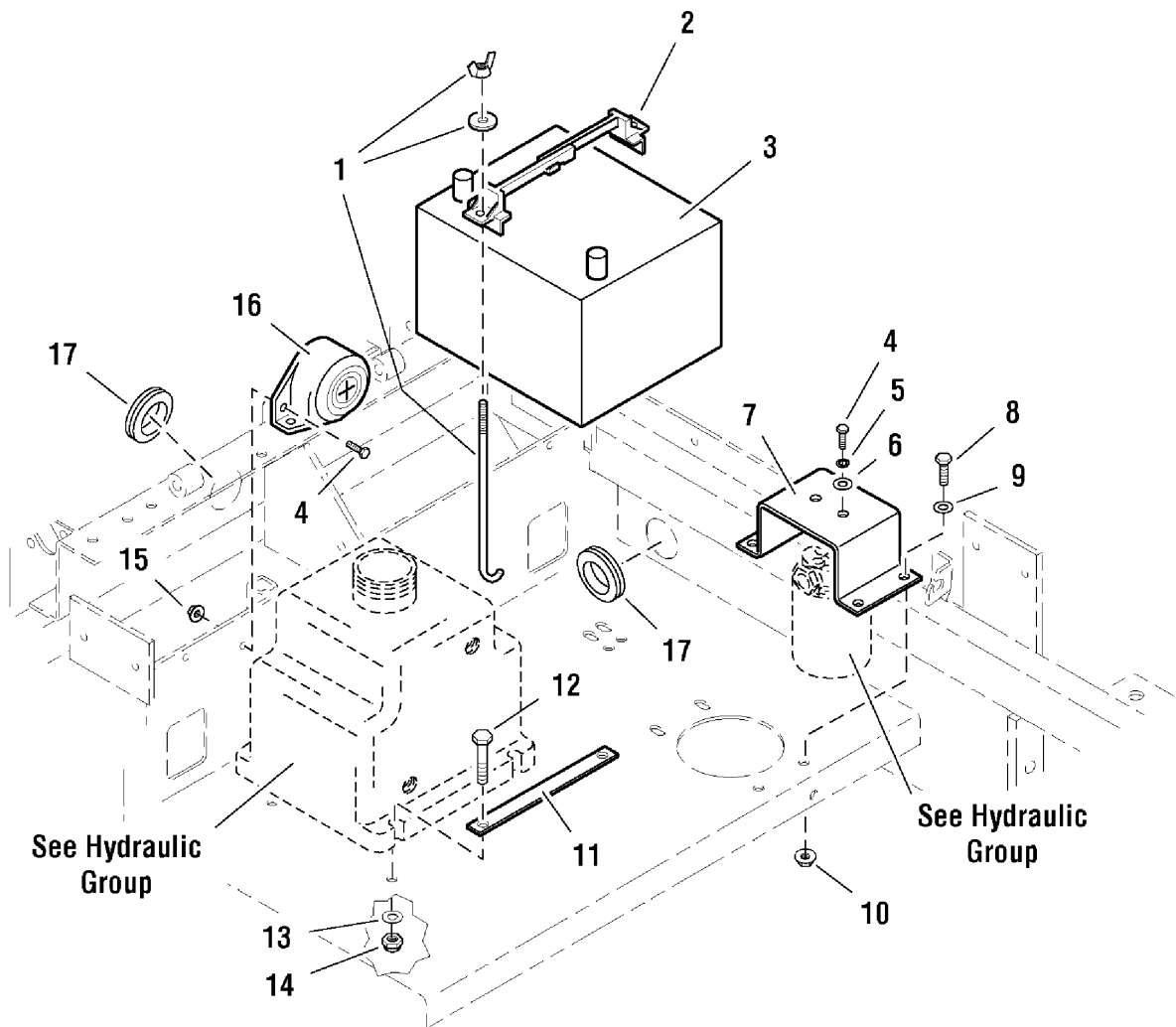
The above parts group applies to the following Mfg. Nos.:

5901070 (S/N: 1225 & below) (IS5000Z/C3)
5901074 (S/N: 1225 & below) (IS5000Z/C3)
5901071 (S/N: 1225 & below) (IS5000Z/C3)
5901073 (IS5000Z/D34)

Seat Compartment Group

NOTE: Unless noted otherwise,
use the standard hardware torque
specification chart.

061STC0



The above parts group applies to the following Mfg. Nos.:

5901070 (S/N: 1225 & below) (IS5000Z/C3)
5901074 (S/N: 1225 & below) (IS5000Z/C3)
5901071 (S/N: 1225 & below) (IS5000Z/C3)
5901073 (IS5000Z/D34)

Seat Compartment Group

REF NO	PART NO.	QTY.	DESCRIPTION
1	5022596	2	BATTERY HOLDDOWN BOLT
2	5022595	1	BATTERY HOLDDOWN
3	-	1	BATTERY, 12V (BCI58, 500 CCA)
4	5025010X6	4	BOLT, 1/4-20 x 3/4
5	5025169	2	WASHER, 1/4" Lock
6	5025154	2	WASHER, 1/4" SAE
7	5047635B	1	OIL FILTER MOUNT
8	5025011X6	4	BOLT, 5/16-18 x 3/4
9	5025155	4	WASHER, 5/16" SAE
10	5025127	4	NUT, 5/16-18 Hex Small Serrated Flange
11	5046061B	2	HOLD DOWN PLATE
12	5025013X18	4	BOLT, 3/8-16 x 2-1/4
13	5025156	4	WASHER, 3/8" SAE
14	5025096	4	NUT, 3/8-16 Hex Nylon Lock
15	5025126	2	NUT, 1/4-20 Hex Serrated Flange
16	5022594	1	ALARM
17	5021397	3	GROMMET, 1-1/4"

Footnotes

The above parts group applies to the following Mfg. Nos.:

5901070 (S/N: 1225 & below) (IS5000Z/C3)

5901074 (S/N: 1225 & below) (IS5000Z/C3)

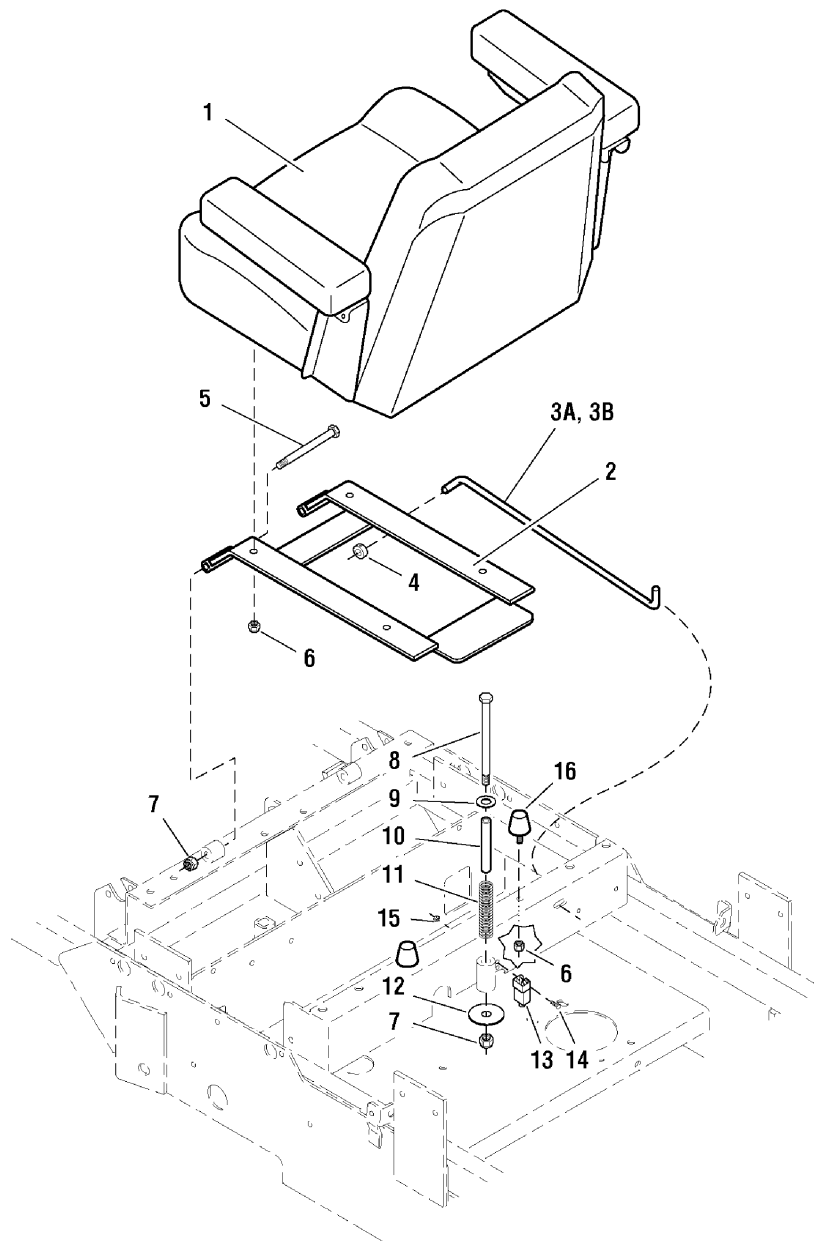
5901071 (S/N: 1225 & below) (IS5000Z/C3)

5901073 (IS5000Z/D34)

Seat & Mount Group

NOTE: Unless noted otherwise,
use the standard hardware torque
specification chart.

061STM0



The above parts group applies to the following Mfg. Nos.:

5901070 (S/N: 1225 & below) (IS5000Z/C3)
5901074 (S/N: 1225 & below) (IS5000Z/C3)
5901071 (S/N: 1225 & below) (IS5000Z/C3)
5901073 (IS5000Z/D34)

Seat & Mount Group

REF NO	PART NO.	QTY.	DESCRIPTION
1	5022955	1	SEAT, Deluxe, Gray, Complete
1	5022955X1	1	CUSHION, Bottom Cover
1	5022955X2	1	CUSHION, Back Cover
1	5022955X3	2	ARM REST SET
1	5022955X4	2	ARM REST PADS
1	5020930X3	1	SEAT ADJUSTER RAILS (set of 2)
2	5047744B	1	SEAT MOUNT
3A	5046470	1	SEAT STOP ROD
3B	5048571	1	SEAT STOP ROD (Diesel models, S/N: 411 & above)
4	5020047	1	COLLAR, 5/16" Set
5	5025013X32	2	BOLT, 3/8-16 x 4
6	5025057	6	NUT, 5/16-18 Hex Nylon Lock
7	5025096	3	NUT, 3/8-16 Hex Nylon Lock
8	5025013X48	1	BOLT, 3/8-16 x 6
9	5025156	1	WASHER, 3/8" SAE
10	5046586	1	SPACER, .38 x .50 x 5.06
11	5022798	1	SPRING, Compression
12	5025326	1	WASHER, 3/8 x 2
13	5022094	1	SWITCH, Plunger, NO/NC
14	5025270	2	SCREW, #10-24 x 1
15	25029	2	NUT, #10-24 Hex
16	5022612	2	RUBBER BUMPER

Footnotes

The above parts group applies to the following Mfg. Nos.:

5901070 (S/N: 1225 & below) (IS5000Z/C3)

5901074 (S/N: 1225 & below) (IS5000Z/C3)

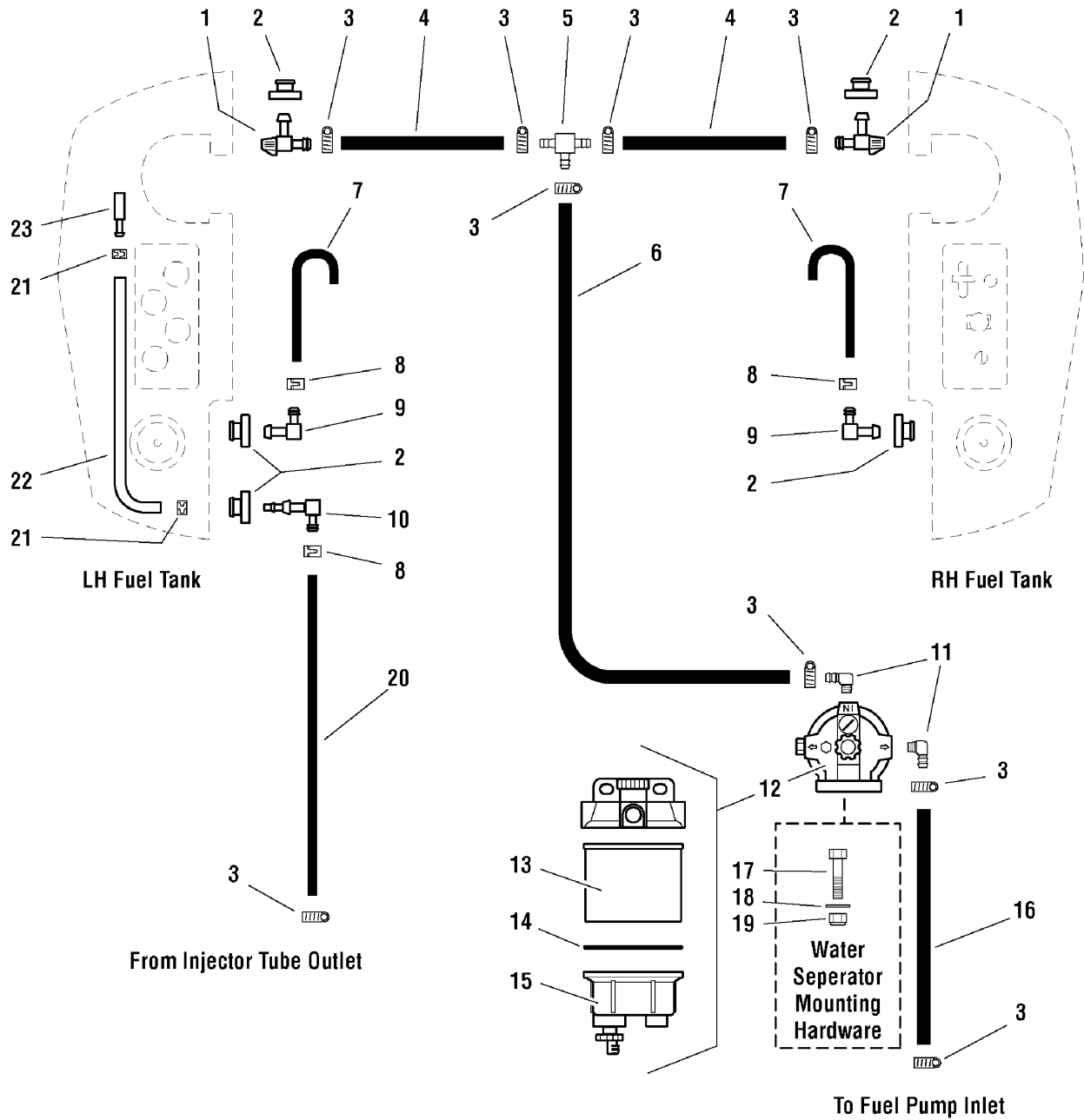
5901071 (S/N: 1225 & below) (IS5000Z/C3)

5901073 (IS5000Z/D34)

Fuel Supply Hose & Tank Replacement Parts Group - Diesel

061FSHD0

NOTE: Unless noted otherwise, use the standard hardware torque specification chart.



The above parts group applies to the following Mfg. Nos.:

5901070 (S/N: 1225 & below) (IS5000Z/C3)

5901074 (S/N: 1225 & below) (IS5000Z/C3)

5901071 (S/N: 1225 & below) (IS5000Z/C3)

Fuel Supply Hose & Tank Replacement Parts Group - Diesel

REF NO	PART NO.	QTY.	DESCRIPTION
1	5023060	2	VALVE, Fuel Shut-Off
2	1726400	5	GROMMET
3	5022922	9	CLAMP, #4 Hose
4	5050919X36	2	HOSE, 36"
5	5022920	1	FITTING, TEE, 3/8" Hose
6	5050919X34	1	HOSE, 34"
7	5050831X20	2	1/4" Fuel Line, 20" Long
8	5020835	3	CLAMP, Hose
9	1674231	2	ELBOW FITTING
10	5023061	1	ELBOW FITTING
11	5022708	2	FITTING, 1/4" NPT, 90 Deg.
12	5022926	1	FILTER/WATER SEPARATOR ASSEMBLY, Complete (Includes Ref No. 13 - 15)
13	5022926X1	1	FUEL FILTER
14	5022926X2	1	O-RING SEAL
15	5022926X3	1	BOWL
16	5050831X48	1	1/4" Fuel Line, 48" Long
17	5025013X12	2	BOLT, 3/8-16 x 1-1/2
18	5025156	2	WASHER, 3/8" SAE
19	5025096	2	NUT, 3/8-16 Hex Nylon Lock
20	50919-63	1	HOSE, 63"
21	5023069	2	HOSE CLAMP
22	5050925X26	1	HOSE, 26"
23	5023068	1	CONNECTOR FITTING

Footnotes

The above parts group applies to the following Mfg. Nos.:

5901070 (S/N: 1225 & below) (IS5000Z/C3)

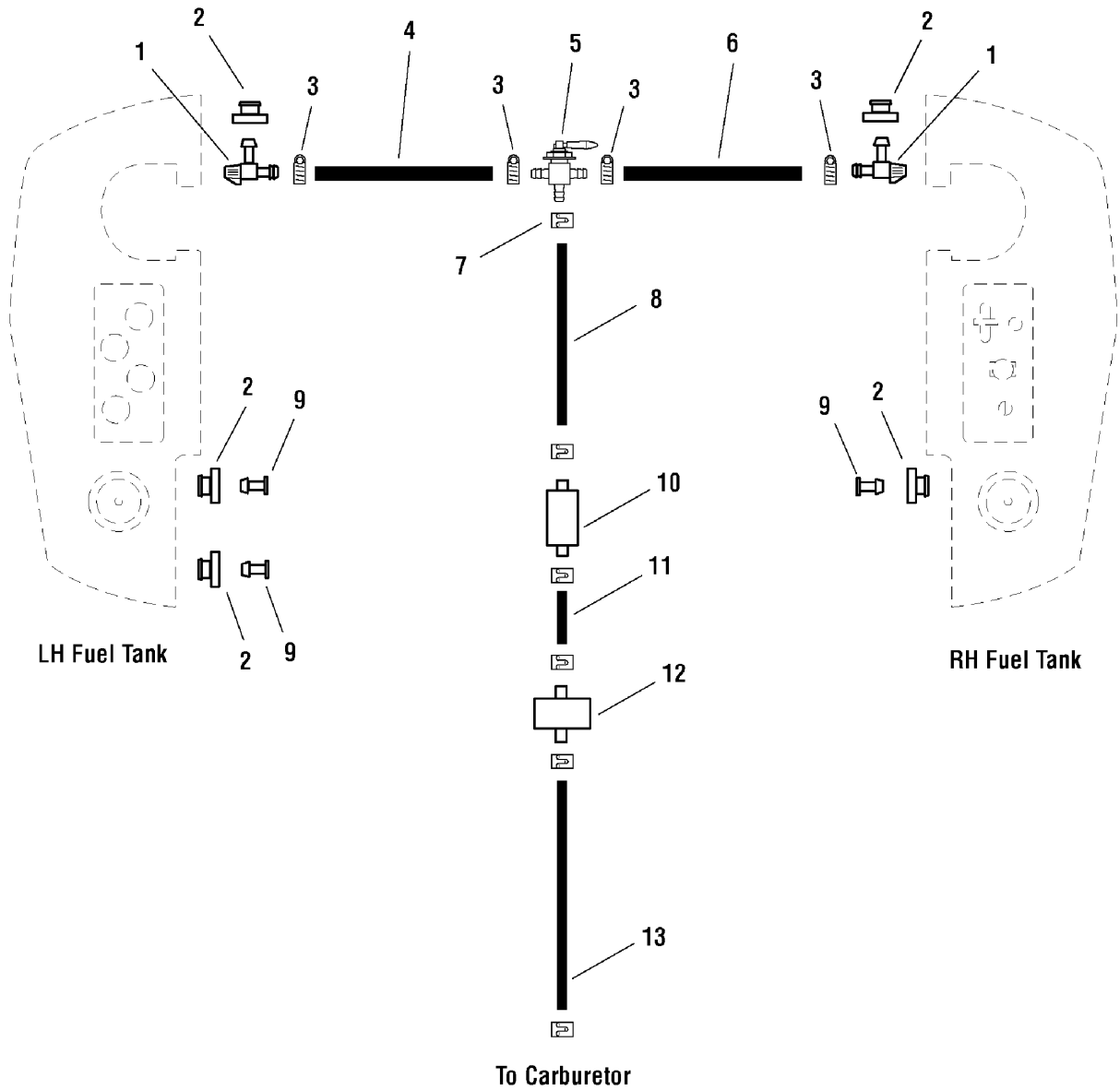
5901074 (S/N: 1225 & below) (IS5000Z/C3)

5901071 (S/N: 1225 & below) (IS5000Z/C3)

Fuel Supply Hose & Tank Replacement Parts Group - Gas

061FSHG0

NOTE: Unless noted otherwise,
use the standard hardware torque
specification chart.



The above parts group applies to the following Mfg. Nos.:
5901073 (IS5000Z/D34)

Fuel Supply Hose & Tank Replacement Parts Group - Gas

REF NO	PART NO.	QTY.	DESCRIPTION
1	5023060	2	VALVE, Fuel Shut-Off
2	1726400	5	GROMMET
3	5022922	4	CLAMP, #4 Hose
4	5050919X34	2	HOSE, 34"
5	5022976	1	FUEL SHUT OFF VALVE
6	5050919X46	1	HOSE, 46"
7	5020835	6	CLAMP, Hose
8	5050831X30	1	1/4" Fuel Line, 30" Long
9	5023059	2	PLUG
10	-	1	FUEL FILTER
11	5050831X12	1	1/4" Fuel Line, 12" Long
12	-	1	FUEL PUMP
13	5050831X36	1	1/4" Fuel Line, 36" Long

Footnotes

- See your local Briggs & Stratton engine dealer for parts & service.

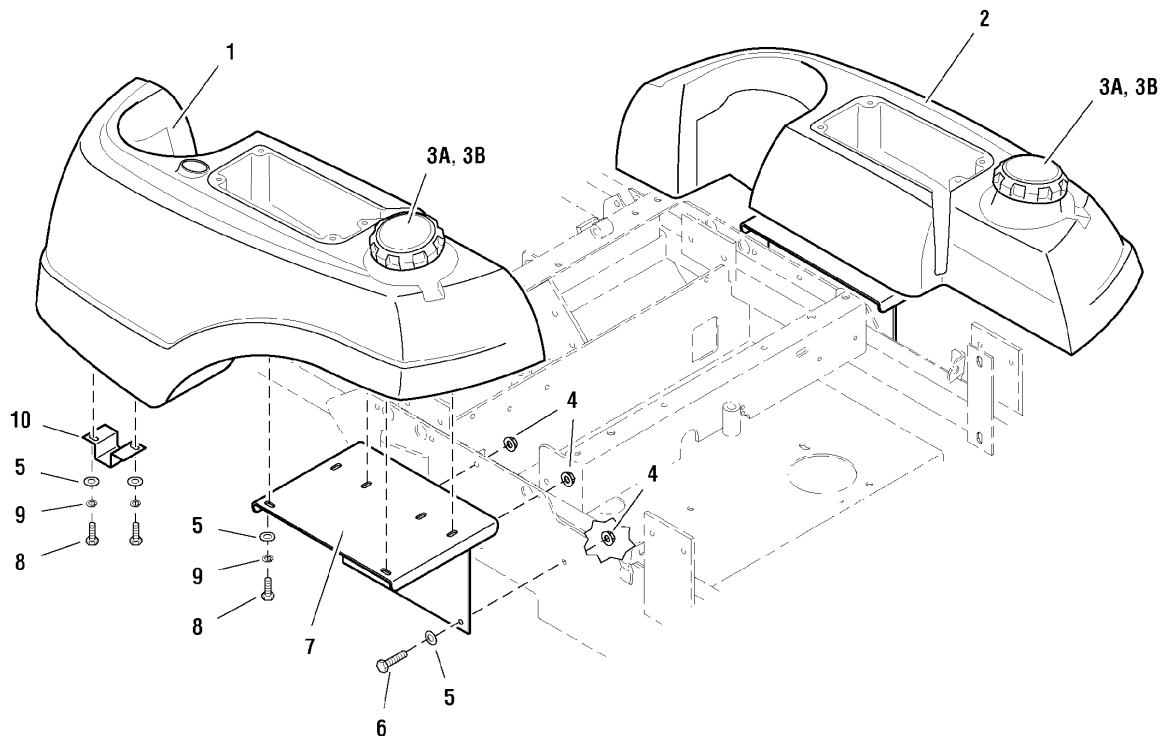
The above parts group applies to the following Mfg. Nos.:

5901073 (IS5000Z/D34)

Fuel Tank & Mount Group (Early Models)

061TNK0

NOTE: Unless noted otherwise,
use the standard hardware torque
specification chart.



The above parts group applies to the following Mfg. Nos.:

5901070 (S/N: 1225 & below) (IS5000Z/C3)
5901074 (S/N: 1225 & below) (IS5000Z/C3)
5901071 (S/N: 1225 & below) (IS5000Z/C3)
5901073 (IS5000Z/D34)

Fuel Tank & Mount Group (Early Models)

REF NO	PART NO.	QTY.	DESCRIPTION
1	5047590	1	FUEL TANK, IS5000Z, LH
2	5047591	1	FUEL TANK, IS5000Z, RH
3A	5022915	2	FUEL TANK CAP, DIESEL (Yellow center, non-vented)
3B	5022158	2	FUEL TANK CAP (Gas model only)
4	5025139	8	NUT, 5/16-18 Hex Large Serrated Flange
5	5025155	20	WASHER, 5/16" SAE
6	5025011X8	8	BOLT, 5/16-18 x 1
7	5048527B	2	FUEL TANK MOUNT
8	5025011X6	12	BOLT, 5/16-18 x 3/4
9	5025170	12	WASHER, 5/16" Lock
10	5047993B	2	GUARD, Tank Valve

Footnotes

The above parts group applies to the following Mfg. Nos.:

5901070 (S/N: 1225 & below) (IS5000Z/C3)

5901074 (S/N: 1225 & below) (IS5000Z/C3)

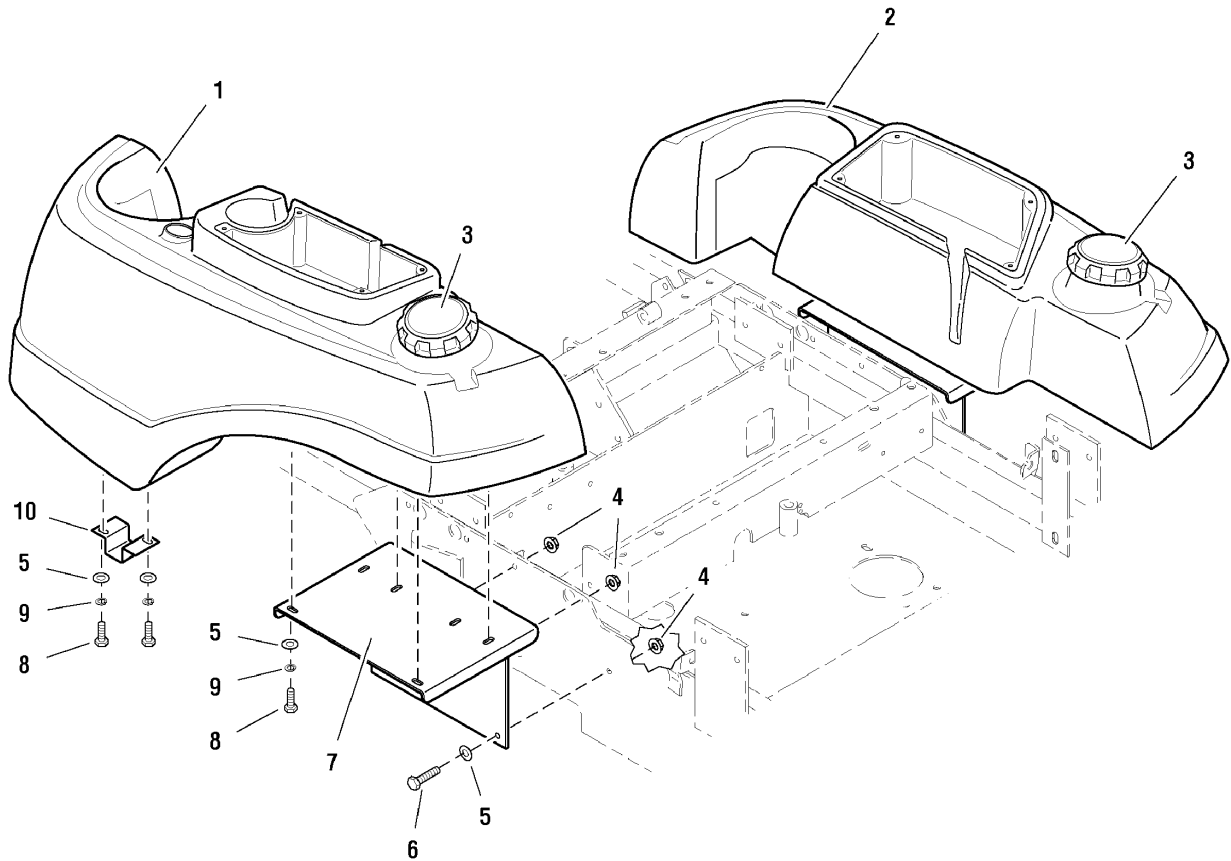
5901071 (S/N: 1225 & below) (IS5000Z/C3)

5901073 (IS5000Z/D34)

Fuel Tank & Mount Group (Later Models)

061TNK1

NOTE: Unless noted otherwise,
use the standard hardware torque
specification chart.



The above parts group applies to the following Mfg. Nos.:

5901070 (S/N: 1225 & below) (IS5000Z/C3)

5901074 (S/N: 1225 & below) (IS5000Z/C3)

5901071 (S/N: 1225 & below) (IS5000Z/C3)

Fuel Tank & Mount Group (Later Models)

REF NO	PART NO.	QTY.	DESCRIPTION
1	5049120	1	FUEL TANK, IS5000Z, LH
2	5049121	1	FUEL TANK, IS5000Z, RH
3	5022915	2	FUEL TANK CAP, DIESEL (Yellow center, non-vented)
4	5025139	8	NUT, 5/16-18 Hex Large Serrated Flange
5	5025155	20	WASHER, 5/16" SAE
6	5025011X8	8	BOLT, 5/16-18 x 1
7	5048527B	2	FUEL TANK MOUNT
8	5025011X6	12	BOLT, 5/16-18 x 3/4
9	5025170	12	WASHER, 5/16" Lock
10	5047993B	2	GUARD, Tank Valve

Footnotes

The above parts group applies to the following Mfg. Nos.:

5901070 (S/N: 1225 & below) (IS5000Z/C3)

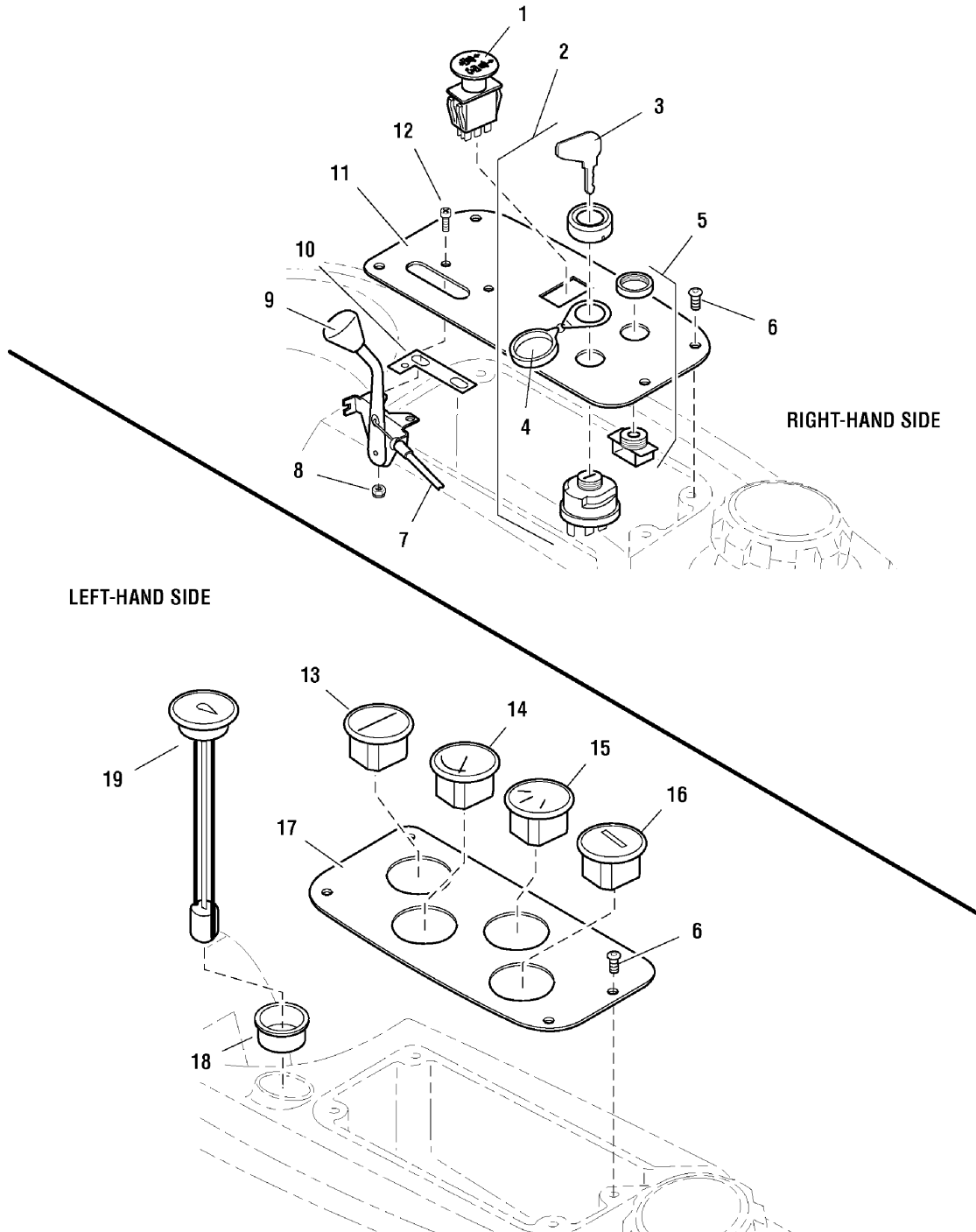
5901074 (S/N: 1225 & below) (IS5000Z/C3)

5901071 (S/N: 1225 & below) (IS5000Z/C3)

Instrument & Control Panel Group - Diesel (S/N: 880 & below)

061INSD0

NOTE: Unless noted otherwise,
use the standard hardware torque
specification chart.



The above parts group applies to the following Mfg. Nos.:

5901070 (S/N: 1225 & below) (IS5000Z/C3)

5901074 (S/N: 1225 & below) (IS5000Z/C3)

5901071 (S/N: 1225 & below) (IS5000Z/C3)

Instrument & Control Panel Group - Diesel (S/N: 880 & below)

REF NO	PART NO.	QTY.	DESCRIPTION
1	5022180	1	SWITCH, PTO
2	5022883X1	1	SWITCH, Ignition, Complete (Includes Ref No. 3 & 4)
3	5022883X2	1	KEY, Ignition (Set of 2)
4	5022883X3	1	COVER PLATE
5	5022883X4	1	INDICATOR, Glow Plug
6	5025299X4	8	SCREW, Allen Head, 1/4-20 x 1/2
7	5046392	1	CABLE, Throttle Control, 47-1/2"
8	5025271	2	NUT, #10-24 Hex Nylon Lock
9	5046360	1	HANDLE, Throttle Control, Complete (with knob)
9	5046360X1	1	KNOB
10	5048475	1	THROTTLE STOP PLATE (CE models only)
11	5047394B	1	CONTROL PANEL-RH
12	25179-6	2	SCREW, #10-24 x 3/4
13	5046473	1	GAUGE, Warning, Oil/Temp
14	5022483	1	GAUGE, Water Temperature
15	5022387	1	GAUGE, Voltmeter
16	5020060	1	HOUR METER
17	5046256B	1	GAUGE PANEL
18	5022917X1	1	GROMMET
19	5022917	1	FUEL GAUGE

Footnotes

The above parts group applies to the following Mfg. Nos.:

5901070 (S/N: 1225 & below) (IS5000Z/C3)

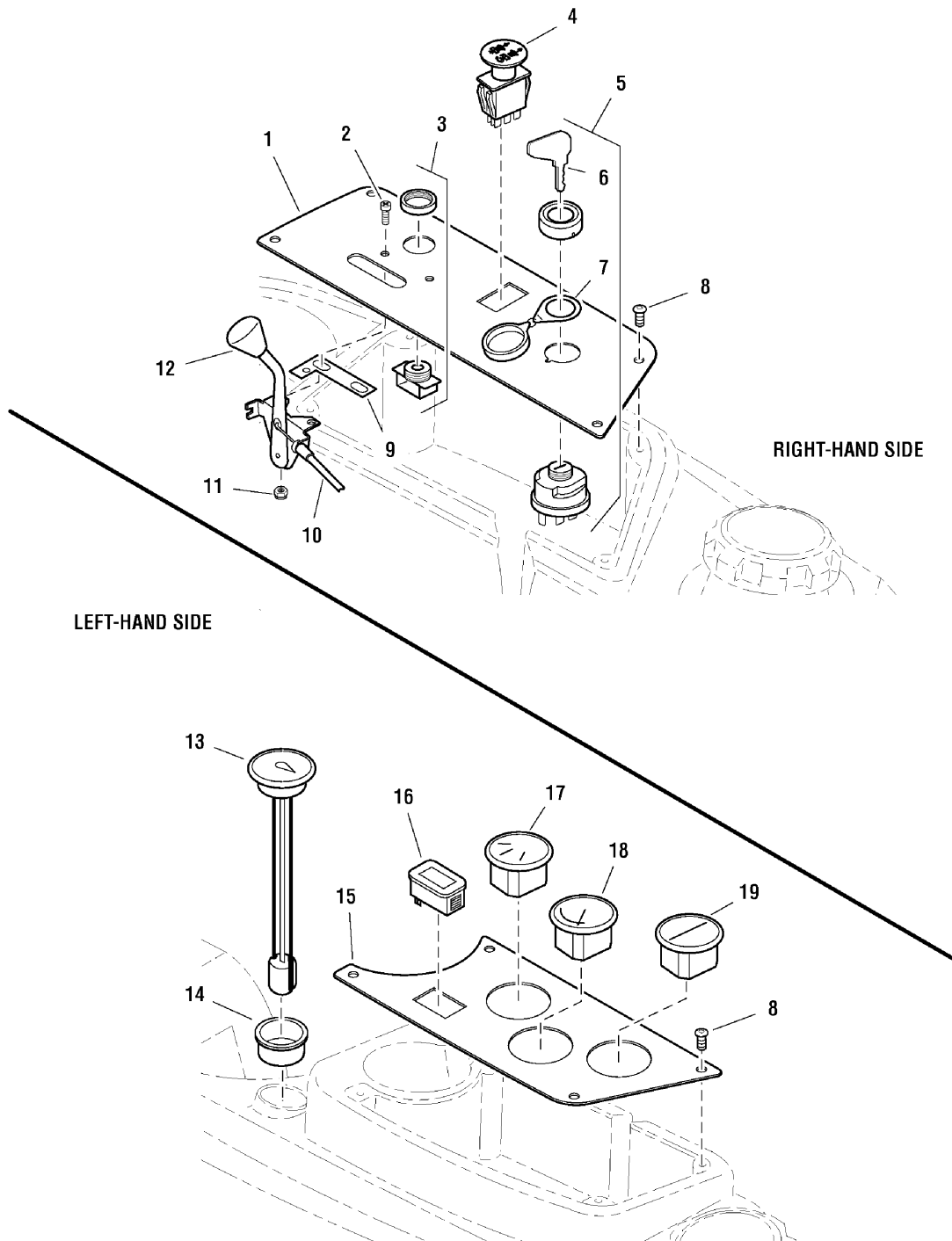
5901074 (S/N: 1225 & below) (IS5000Z/C3)

5901071 (S/N: 1225 & below) (IS5000Z/C3)

Instrument & Control Panel Group - Diesel (S/N: 881 & above)

061INSD1

NOTE: Unless noted otherwise,
use the standard hardware torque
specification chart.



The above parts group applies to the following Mfg. Nos.:

5901070 (S/N: 1225 & below) (IS5000Z/C3)

5901074 (S/N: 1225 & below) (IS5000Z/C3)

5901071 (S/N: 1225 & below) (IS5000Z/C3)

Instrument & Control Panel Group - Diesel (S/N: 881 & above)

REF NO	PART NO.	QTY.	DESCRIPTION
1	5049178A	1	CONTROL PANEL-RH
2	25179-6	2	SCREW, #10-24 x 3/4
3	5022883X4	1	INDICATOR, Glow Plug
4	5022180	1	SWITCH, PTO
5	5022883X1	1	SWITCH, Ignition, Complete (Includes Ref No. 3 & 4)
6	5022883X2	1	KEY, Ignition (Set of 2)
7	5022883X3	1	COVER PLATE
8	5025299X4	8	SCREW, Allen Head, 1/4-20 x 1/2
9	5048475	1	THROTTLE STOP PLATE (CE models only)
10	5046392	1	CABLE, Throttle Control, 47-1/2"
11	5025271	2	NUT, #10-24 Hex Nylon Lock
12	5046360	1	HANDLE, Throttle Control, Complete (with knob)
12	5046360X1	1	KNOB
13	5022917	1	FUEL GAUGE
14	5022917X1	1	GROMMET
15	5049177A	1	CONTROL PANEL-RH
16	5023244	1	HOURMETER, Digital
17	5022387	1	GAUGE, Voltmeter
18	5022483	1	GAUGE, Water Temperature
19	5046473	1	GAUGE, Warning, Oil/Temp

Footnotes

The above parts group applies to the following Mfg. Nos.:

5901070 (S/N: 1225 & below) (IS5000Z/C3)

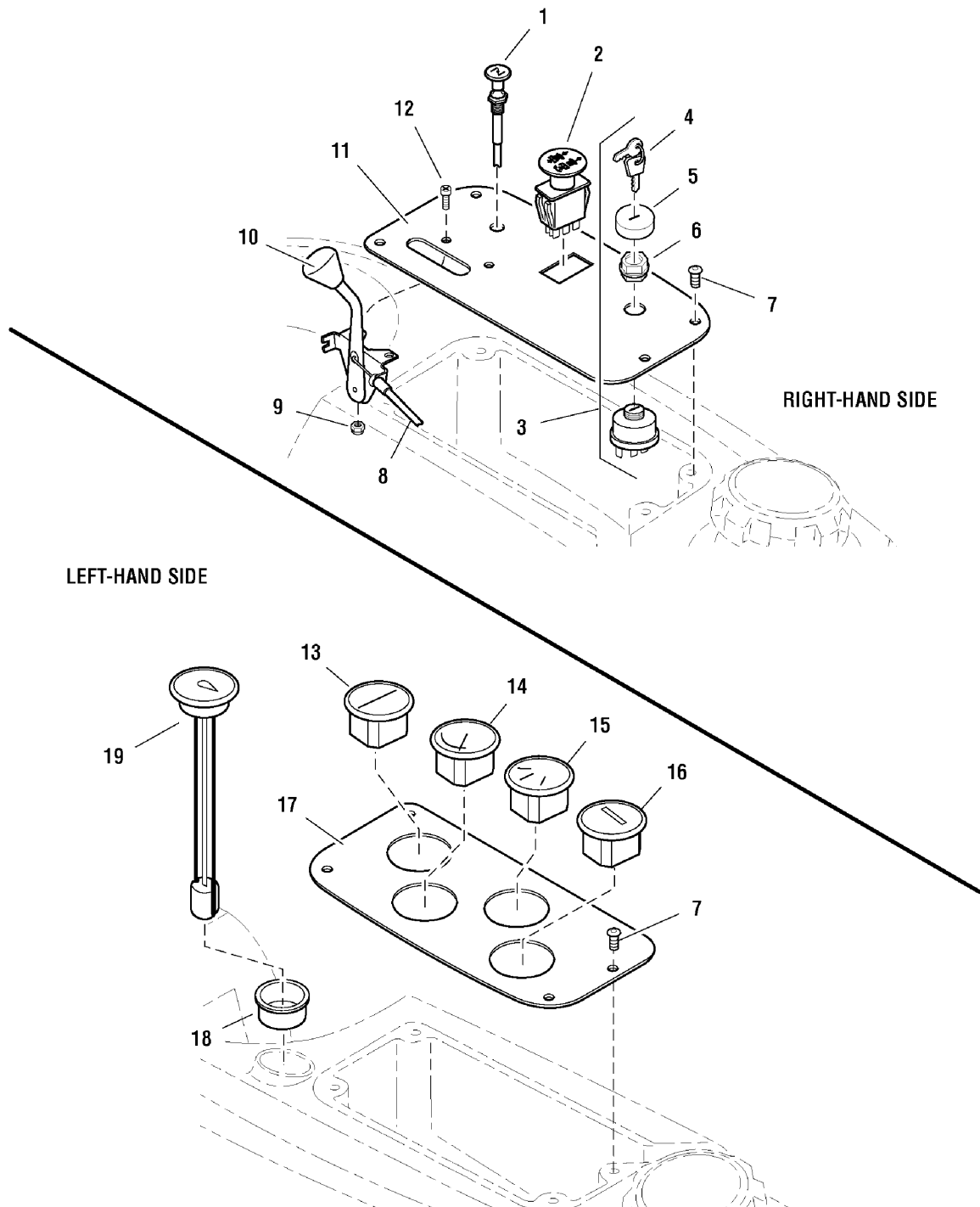
5901074 (S/N: 1225 & below) (IS5000Z/C3)

5901071 (S/N: 1225 & below) (IS5000Z/C3)

Instrument & Control Panel Group - Gas

061INSG0

NOTE: Unless noted otherwise,
use the standard hardware torque
specification chart.



The above parts group applies to the following Mfg. Nos.:
5901073 (IS5000Z/D34)

Instrument & Control Panel Group - Gas

REF NO	PART NO.	QTY.	DESCRIPTION
1	5047841	1	CABLE, Choke Control
2	5022180	1	SWITCH, PTO
3	5020927	1	SWITCH, Ignition, Complete (Includes Ref No. 5 - 7)
4	5022789	1	KEY, Ignition, Molded Set
5	5022790	1	COVER
6	5022791	1	PLASTIC NUT
7	5025299X4	8	SCREW, Allen Head, 1/4-20 x 1/2
8	5047842	1	CABLE, Throttle Control
9	5025271	2	NUT, #10-24 Hex Nylon Lock
10	5046360	1	HANDLE, Throttle Control, Complete (with knob)
10	5046360X1	1	KNOB
11	5046600B	1	CONTROL PANEL-RH
12	25179-6	2	SCREW, #10-24 x 3/4
13	5046473	1	GAUGE, Warning, Oil/Temp
14	5022483	1	GAUGE, Water Temperature
15	5022387	1	GAUGE, Voltmeter
16	5020060	1	HOUR METER
17	5046256B	1	GAUGE PANEL
18	5022917X1	1	GROMMET
19	5022917	1	FUEL GAUGE

Footnotes

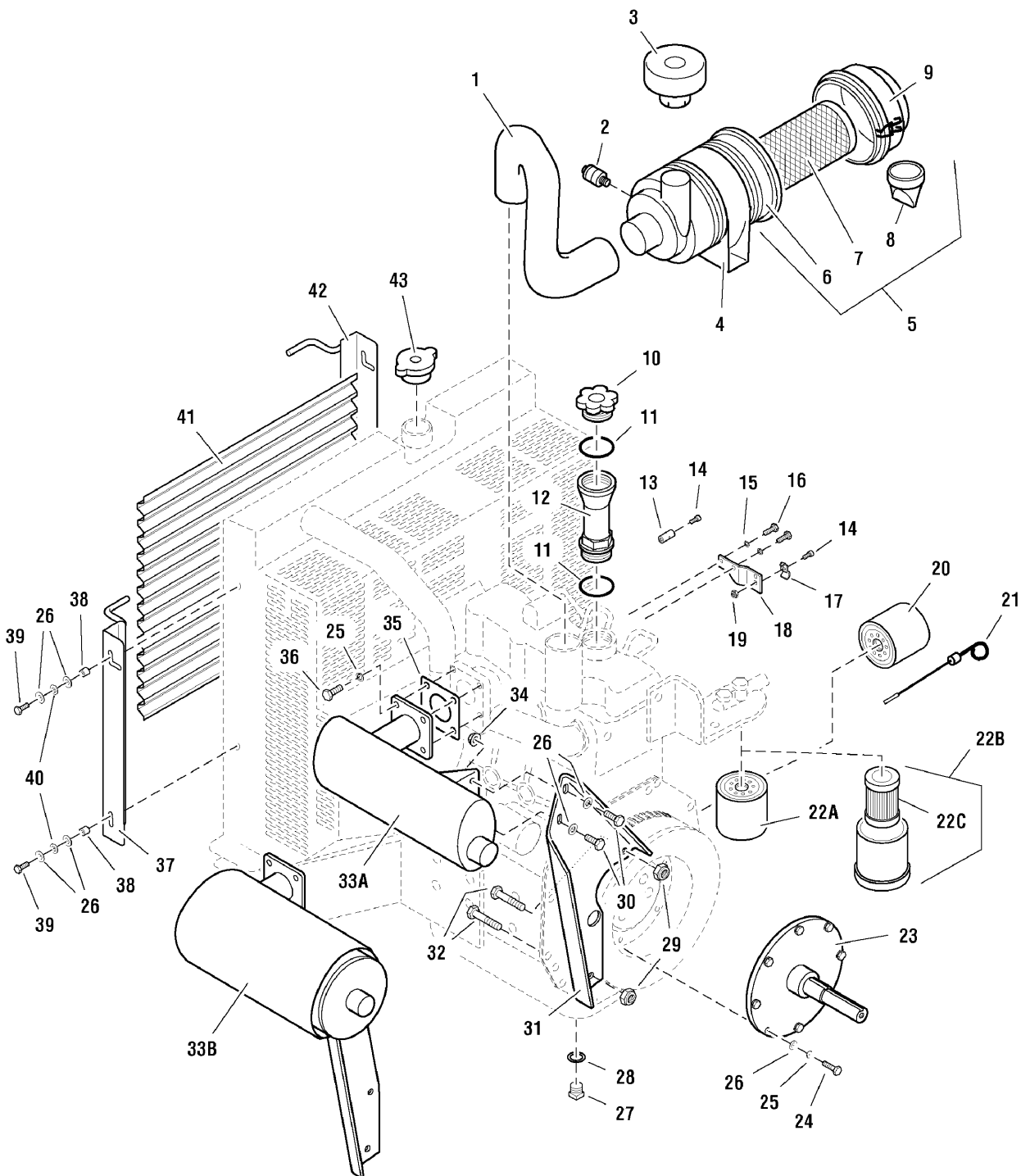
The above parts group applies to the following Mfg. Nos.:

5901073 (IS5000Z/D34)

Engine Accessories Group - Diesel (Early Models)

061EACD0

NOTE: Unless noted otherwise,
use the standard hardware torque
specification chart.



The above parts group applies to the following Mfg. Nos.:
5901070 (S/N: 1225 & below) (IS5000Z/C3)

Engine Accessories Group - Diesel (Early Models)

REF NO	PART NO.	QTY.	DESCRIPTION
1	5022883X33	1	AIR INLET HOSE
1	5022883X54	2	HOSE CLAMP
2	5022883X45	1	AIR CLEANER INDICATOR
3	5022591	1	PRE-CLEANER
4	5022883X44	1	AIR CLEANER BRACKET
5	5022883X29	1	AIR CLEANER ASSEMBLY, Complete (Includes Ref No. 6 - 9)
6	5022883X46	1	AIR CLEANER HOUSING ASSEMBLY
7	5022883X31	1	AIR CLEANER ELEMENT
8	5022883X32	1	AIR CLEANER DUST VALVE
9	5022883X30	1	AIR CLEANER COVER
10	5022883X7	1	OIL FILL CAP
11	5022883X8	2	OIL FILL O-RING SEAL
12	5022883X6	1	OIL FILL EXTENSION
13	5047650	1	BARREL CLAMP
14	25179-6	2	SCREW, #10-24 x 3/4
15	5025169	2	WASHER, 1/4" Lock
16	5025248	2	BOLT, M6 x 10MM
17	5022901	1	CLAMP
18	5047392	1	THROTTLE BRACKET
19	5025271	1	NUT, #10-24 Hex Nylon Lock
20	5022883X11	1	OIL FILTER
21	5022883X20	1	DIPSTICK
22A	5022883X19A	1	FUEL FILTER
22B	5022883X19B	1	FUEL FILTER ASSEMBLY, Complete (Includes 22883-19C)
22C	5022883X19C	1	FILTER ELEMENT
23	5047306	1	STUB SHAFT & FLYWHEEL PLATE ASSEMBLY
24	5025011X10	8	BOLT, 5/16-18 x 1-1/4
25	5025170	12	WASHER, 5/16" Lock
26	5025155	18	WASHER, 5/16" SAE
27	5022883X21	1	OIL PAN PLUG
28	5022883X22	1	WASHER, Oil Pan Plug
29	5025096	2	NUT, 3/8-16 Hex Nylon Lock
30	5025011X8	2	BOLT, 5/16-18 x 1
31	5047625B	1	MUFFLER SUPPORT (only used with silver muffler)
32	5025013X14	2	BOLT, 3/8-16 x 1-3/4
33A	5022900	1	MUFFLER (Silver)
33B	5022900	1	MUFFLER (Black)
34	5025127	2	NUT, 5/16-18 Hex Small Serrated Flange
35	5022883X36	1	GASKET, Exhaust Manifold
36	25237	4	BOLT, M8 x 25MM
37	5047762B	1	SCREEN KEEPER-LH

Footnotes

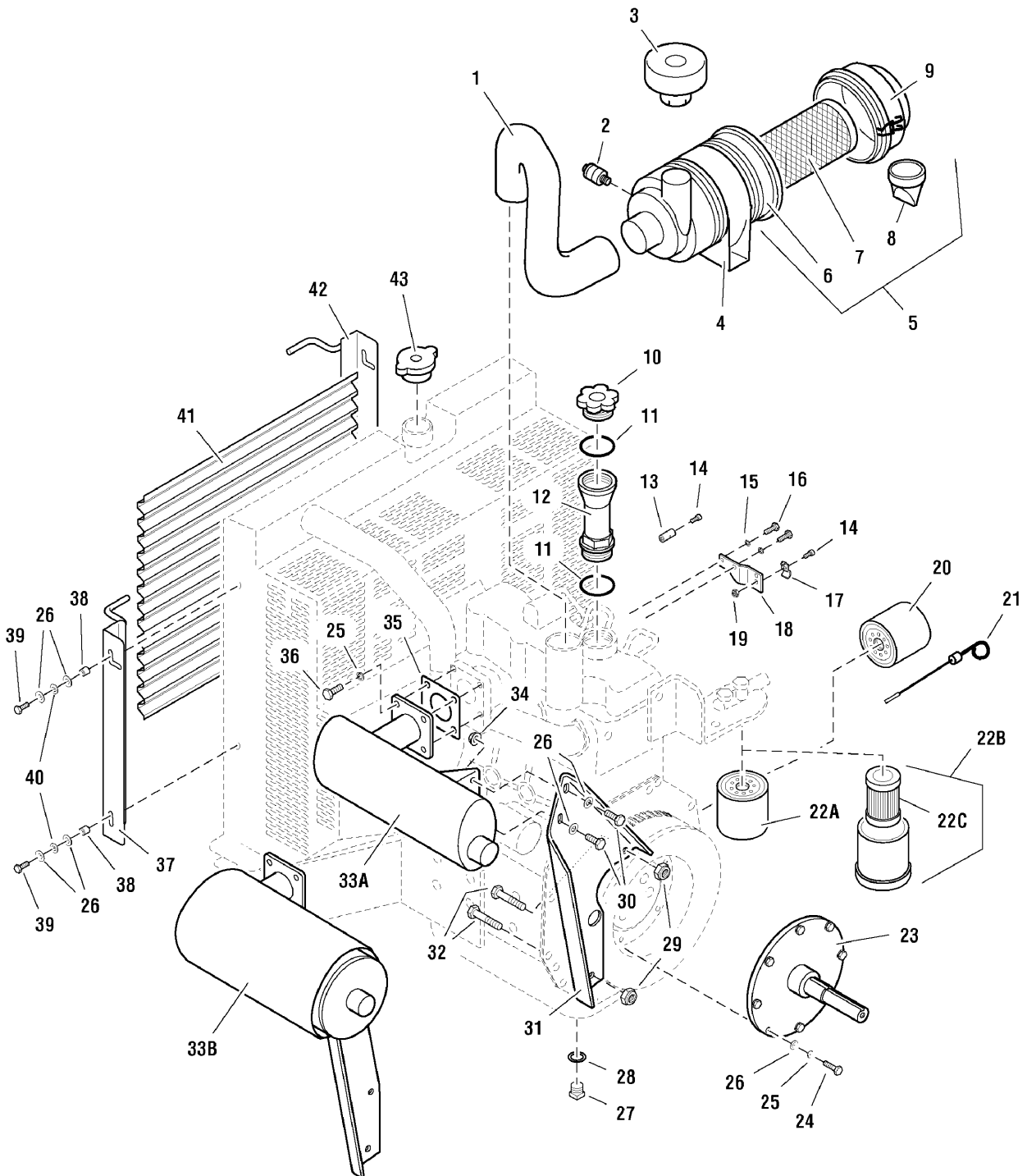
The above parts group applies to the following Mfg. Nos.:

5901070 (S/N: 1225 & below) (IS5000Z/C3)

Engine Accessories Group - Diesel (Early Models)

061EACD0

NOTE: Unless noted otherwise,
use the standard hardware torque
specification chart.



The above parts group applies to the following Mfg. Nos.:
5901070 (S/N: 1225 & below) (IS5000Z/C3)

Engine Accessories Group - Diesel (Early Models)

REF NO	PART NO.	QTY.	DESCRIPTION
38	5047599	4	BUSHING
39	5025375	4	BOLT, M5 x 12MM
40	5025360	4	WASHER, M8, Wave
41	5048728	1	SCREEN
42	5047763B	1	SCREEN KEEPER-RH
43	5022883X13	1	PRESSURE CAP
44	5022883X9	1	FUEL SOLENOID (Not an illustrated part)
45	5022883X10	1	WASHER, Fuel Solenoid (Not an illustrated part)
46	5022883X12	1	WATER PUMP (Not an illustrated part)
47	5022883X14	1	WATER HOSE-UPPER (Not an illustrated part)
48	5022883X15	1	WATER HOSE-LOWER (Not an illustrated part)
49	5022883X16	1	GASKET, Water Pump (Not an illustrated part)
50	5022883X17	1	THERMOSTAT (Not an illustrated part)
51	5022883X18	1	GASKET, Thermostat (Not an illustrated part)
52	5022883X23	1	STARTER MOTOR (Not an illustrated part)
53	5022883X24	1	ALTERNATOR (Not an illustrated part)
54	5022883X25	1	BELT (Not an illustrated part)
55	5022883X26	1	FUEL PUMP (Not an illustrated part)
56	5022883X27	1	GASKET, Fuel Pump (Not an illustrated part)
57	5022883X28	3	GLOW PLUG (Not an illustrated part)
58	5022883X38	1	RADIATOR (Not an illustrated part)
59	5022883X39	1	SWITCH, Oil Pressure (Not an illustrated part)
60	5022883X40	1	SWITCH, Water Temperature (Not an illustrated part)
61	5022883X41	1	STARTER SOLENOID (Not an illustrated part)
62	5022883X42	1	SEAL, Rear Main (Not an illustrated part)
63	5022883X43	1	SEAL, Front Main (Not an illustrated part)
64	5022883X47	3	INJECTOR ASSEMBLY (Not an illustrated part)
65	5022883X48	3	WASHER, 4-HOLE (Not an illustrated part)
66	5022883X49	3	WASHER, SEALING (Not an illustrated part)
67	5022883X50	3	WASHER, CRUSH (Not an illustrated part)
68	22883-51	1	ISO MOUNT BRACKET (Not an illustrated part)
69	22883-52	1	BOTTOM RADIATOR BRACKET (Not an illustrated part)
70	22883-53	1	TOP RADIATOR BRACKET (Not an illustrated part)

Footnotes

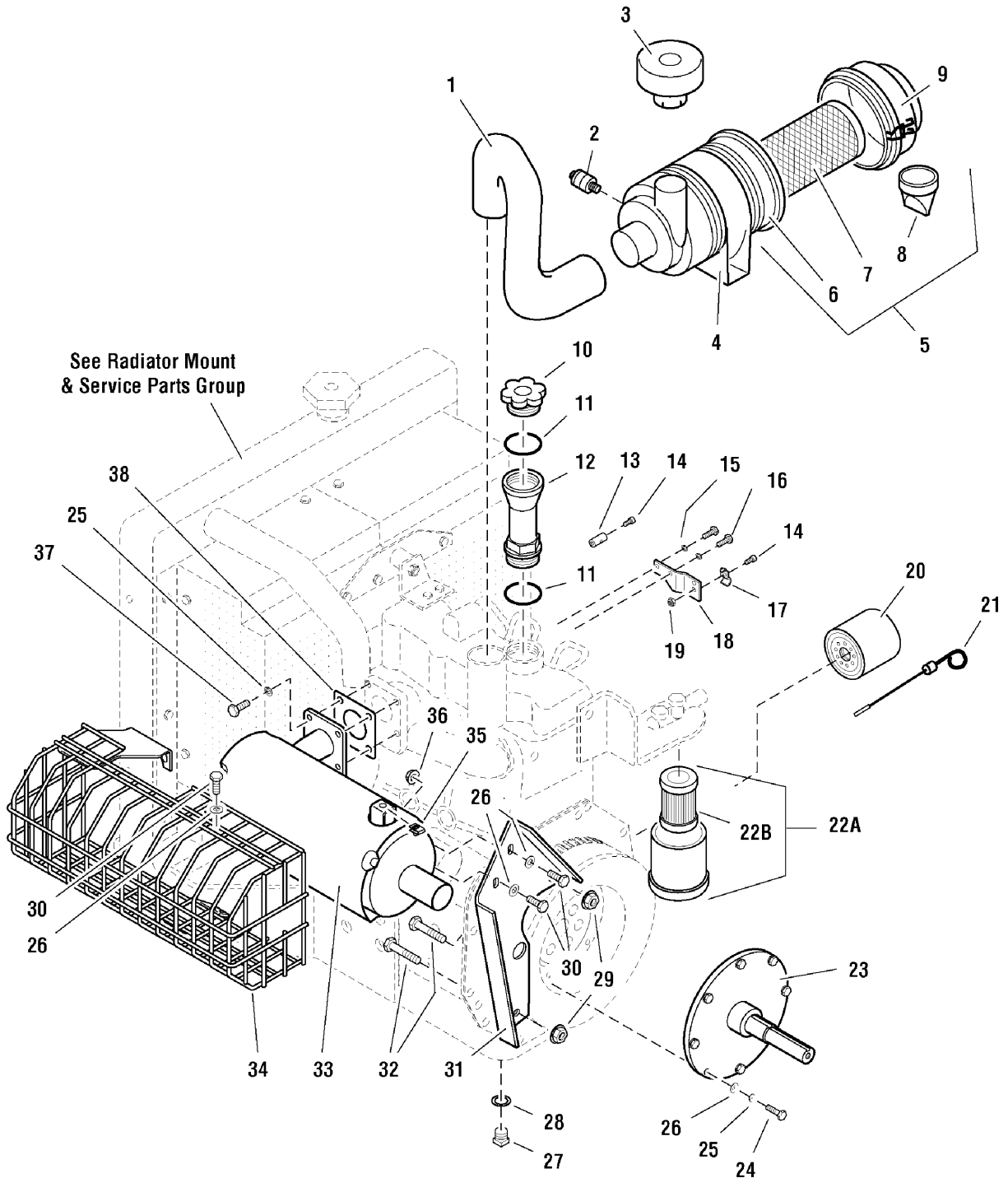
The above parts group applies to the following Mfg. Nos.:

5901070 (S/N: 1225 & below) (IS5000Z/C3)

Engine Accessories Group - Diesel (Later Models)

061EACD1

NOTE: Unless noted otherwise,
use the standard hardware torque
specification chart.



The above parts group applies to the following Mfg. Nos.:

5901070 (S/N: 1225 & below) (IS5000Z/C3)

5901074 (S/N: 1225 & below) (IS5000Z/C3)

5901071 (S/N: 1225 & below) (IS5000Z/C3)

Engine Accessories Group - Diesel (Later Models)

REF NO	PART NO.	QTY.	DESCRIPTION
1	5022883X33	1	AIR INLET HOSE
1	5022883X54	2	HOSE CLAMP
2	5022883X45	1	AIR CLEANER INDICATOR
3	5022591	1	PRE-CLEANER
4	5022883X44	1	AIR CLEANER BRACKET
5	5022883X29	1	AIR CLEANER ASSEMBLY, Complete (Includes Ref No. 6 - 9)
6	5022883X46	1	AIR CLEANER HOUSING ASSEMBLY
7	5022883X31	1	AIR CLEANER ELEMENT
8	5022883X32	1	AIR CLEANER DUST VALVE
9	5022883X30	1	AIR CLEANER COVER
10	5022883X7	1	OIL FILL CAP
11	5022883X8	2	OIL FILL O-RING SEAL
12	5022883X6	1	OIL FILL EXTENSION
13	5047650	1	BARREL CLAMP
14	25179-6	2	SCREW, #10-24 x 3/4
15	5025169	2	WASHER, 1/4" Lock
16	5025248	2	BOLT, M6 x 10MM
17	5022901	1	CLAMP
18	5047392	1	THROTTLE BRACKET
19	5025271	1	NUT, #10-24 Hex Nylon Lock
20	5022883X11	1	OIL FILTER
21	5022883X20	1	DIPSTICK
22A	5022883X19B	1	FUEL FILTER ASSEMBLY, Complete (Includes 22883-19C)
22B	5022883X19C	1	FILTER ELEMENT
23	5047306	1	STUB SHAFT & FLYWHEEL PLATE ASSEMBLY
24	5025011X10	8	BOLT, 5/16-18 x 1-1/4
25	5025170	12	WASHER, 5/16" Lock
26	5025155	18	WASHER, 5/16" SAE
27	5022883X21	1	OIL PAN PLUG
28	5022883X22	1	WASHER, Oil Pan Plug
29	5025128	2	NUT, 3/8-16 Hex Serrated Flange
30	5025011X8	2	BOLT, 5/16-18 x 1
31	5048600B	1	MUFFLER SUPPORT
32	5025013X14	2	BOLT, 3/8-16 x 1-3/4
33	5023125	1	MUFFLER
34	5023126	1	WIRE GUARD (Export models only)
35	5022308	1	BODY CLIP, 5/16-18 (Export models only)
36	5025127	2	NUT, 5/16-18 Hex Small Serrated Flange
37	25237	4	BOLT, M8 x 25MM (Not an illustrated part)
38	5022883X36	1	GASKET, Exhaust Manifold (Not an illustrated part)
39	5022883X9	1	FUEL SOLENOID (Not an illustrated part)

Footnotes

The above parts group applies to the following Mfg. Nos.:

5901070 (S/N: 1225 & below) (IS5000Z/C3)

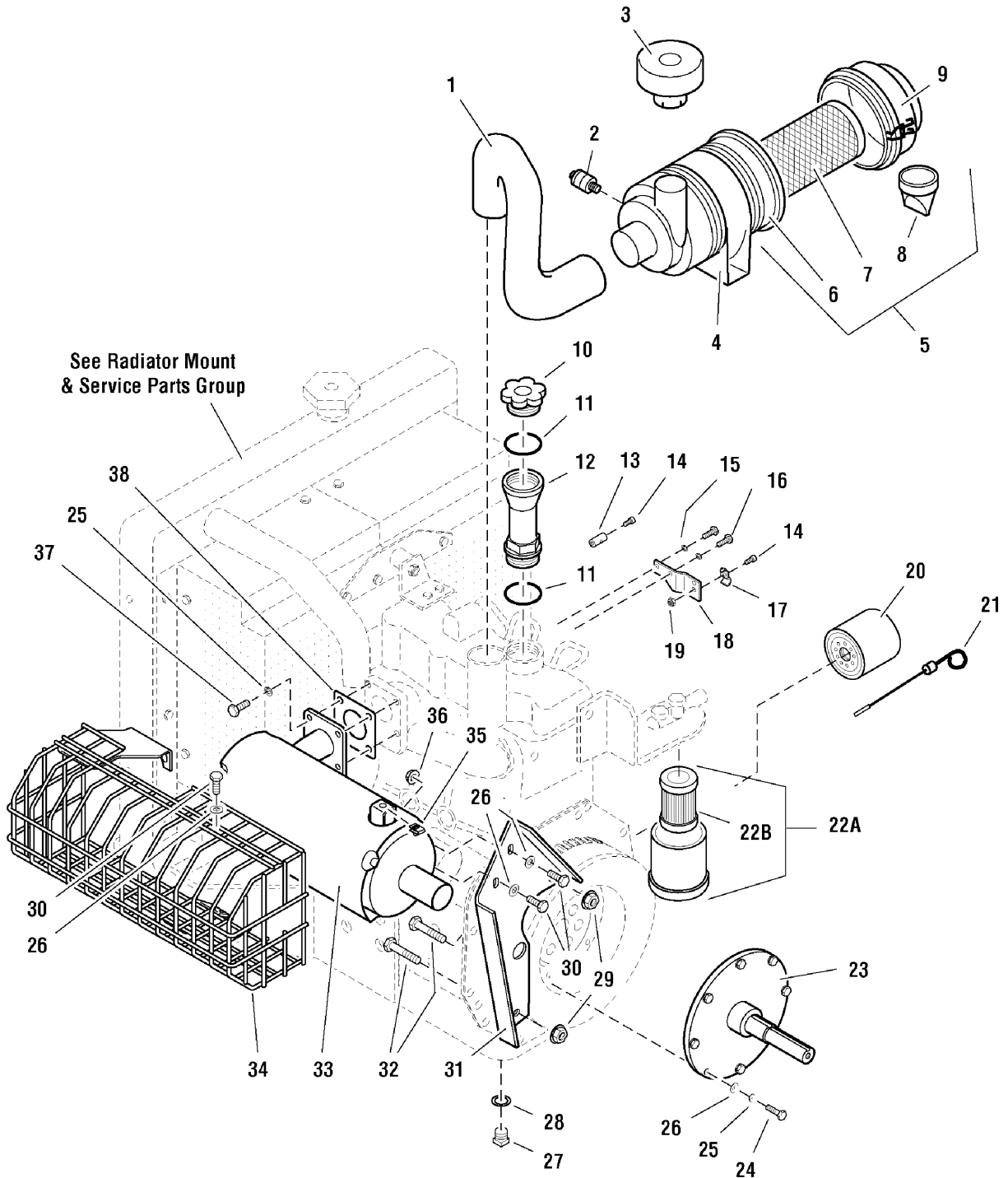
5901074 (S/N: 1225 & below) (IS5000Z/C3)

5901071 (S/N: 1225 & below) (IS5000Z/C3)

Engine Accessories Group - Diesel (Later Models)

061EACD1

NOTE: Unless noted otherwise,
use the standard hardware torque
specification chart.



The above parts group applies to the following Mfg. Nos.:

5901070 (S/N: 1225 & below) (IS5000Z/C3)

5901074 (S/N: 1225 & below) (IS5000Z/C3)

5901071 (S/N: 1225 & below) (IS5000Z/C3)

Engine Accessories Group - Diesel (Later Models)

REF NO	PART NO.	QTY.	DESCRIPTION
40	5022883X10	1	WASHER, Fuel Solenoid (Not an illustrated part)
41	5022883X12	1	WATER PUMP (Not an illustrated part)
42	5022883X14	1	WATER HOSE-UPPER (Not an illustrated part)
43	5022883X15	1	WATER HOSE-LOWER (Not an illustrated part)
44	5022883X16	1	GASKET, Water Pump (Not an illustrated part)
45	5022883X17	1	THERMOSTAT (Not an illustrated part)
46	5022883X18	1	GASKET, Thermostat (Not an illustrated part)
47	5022883X23	1	STARTER MOTOR (Not an illustrated part)
48	5022883X24	1	ALTERNATOR (Not an illustrated part)
49	5022883X25	1	BELT (Not an illustrated part)
50	5022883X26	1	FUEL PUMP (Not an illustrated part)
51	5022883X27	1	GASKET, Fuel Pump (Not an illustrated part)
52	5022883X28	3	GLOW PLUG (Not an illustrated part)
53	5022883X38	1	RADIATOR (Not an illustrated part)
54	5022883X39	1	SWITCH, Oil Pressure (Not an illustrated part)
55	5022883X40	1	SWITCH, Water Temperature (Not an illustrated part)
56	5022883X41	1	STARTER SOLENOID (Not an illustrated part)
57	5022883X42	1	SEAL, Rear Main (Not an illustrated part)
58	5022883X43	1	SEAL, Front Main (Not an illustrated part)
59	5022883X47	3	INJECTOR ASSEMBLY (Not an illustrated part)
60	5022883X48	3	WASHER, 4-HOLE (Not an illustrated part)
61	5022883X49	3	WASHER, SEALING (Not an illustrated part)
62	5022883X50	3	WASHER, CRUSH (Not an illustrated part)

Footnotes

The above parts group applies to the following Mfg. Nos.:

5901070 (S/N: 1225 & below) (IS5000Z/C3)

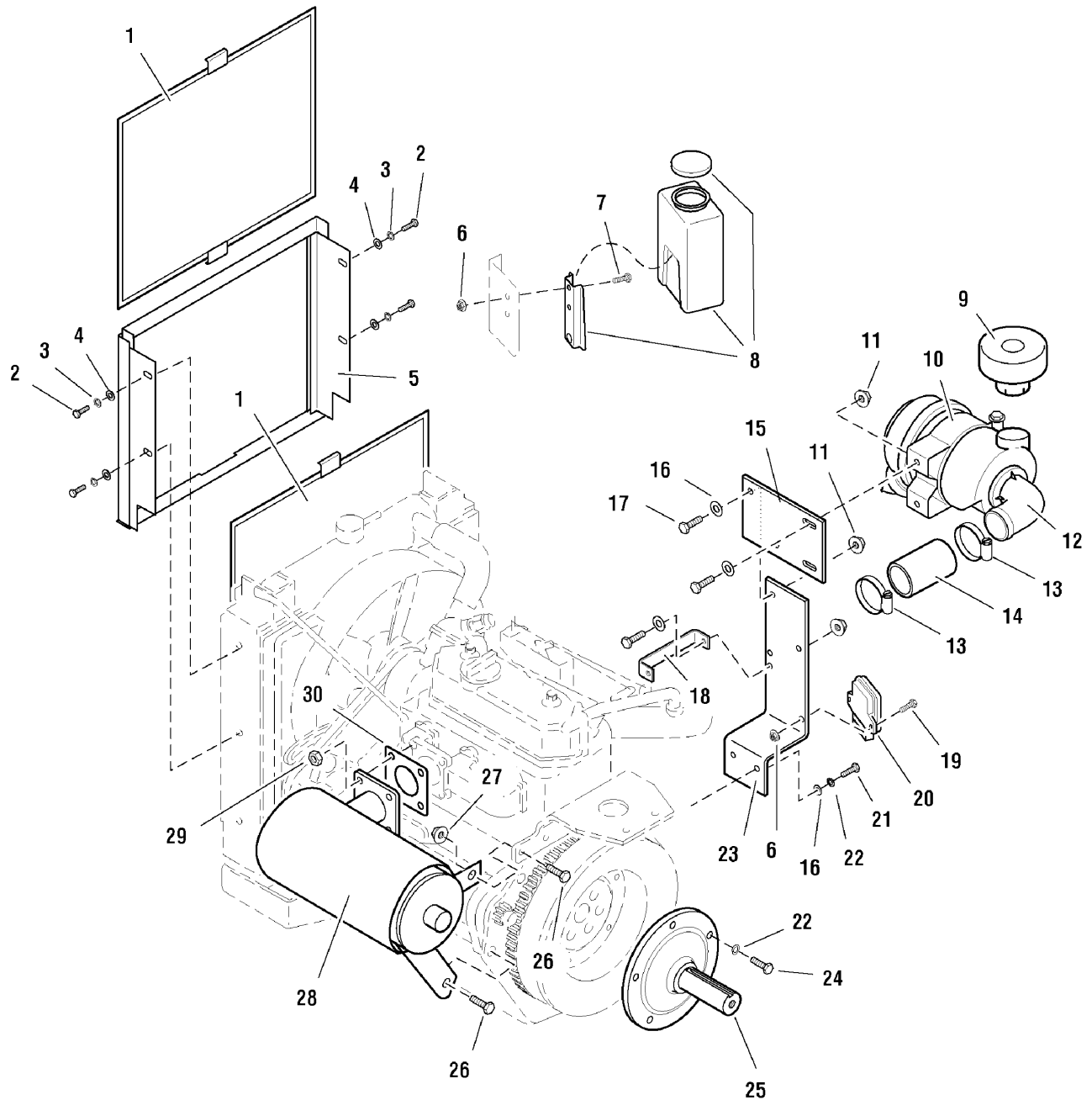
5901074 (S/N: 1225 & below) (IS5000Z/C3)

5901071 (S/N: 1225 & below) (IS5000Z/C3)

Engine Accessories Group - Gas

061EACG0

NOTE: Unless noted otherwise,
use the standard hardware torque
specification chart.



The above parts group applies to the following Mfg. Nos.:
5901073 (IS5000Z/D34)

Engine Accessories Group - Gas

REF NO	PART NO.	QTY.	DESCRIPTION
1	-	2	SCREEN
2	-	4	BOLT, M6 X15mm
3	5025169	4	WASHER, 1/4" Lock
4	5025154	4	WASHER, 1/4" SAE
5	5047954B	1	RADIATOR SHROUD
6	5025126	4	NUT, 1/4-20 Hex Serrated Flange
7	5025010X6	2	BOLT, 1/4-20 x 3/4
8	-	1	RADIATOR & OVERFLOW KIT
9	5023062	1	RAIN COVER
10	-	1	AIR CLEANER MOUNT BRACKET (835009)
11	5025127	5	NUT, 5/16-18 Hex Small Serrated Flange
12	-	1	AIR CLEANER (835008)
13	-	2	HOSE CLAMP
14	-	1	INLET HOSE (835038)
15	5047870B	1	AIR CLEANER MOUNT PLATE
16	5025155	7	WASHER, 5/16" SAE
17	5025011X6	5	BOLT, 5/16-18 x 3/4
18	5047915	1	AIR CLEANER BRACE
19	5025010X8	2	BOLT, 1/4-20 x 1
20	-	1	IGNITION MODULE
21	5025335	2	BOLT, M8 x 35MM
22	5025170	2	WASHER, 5/16" Lock
23	5047838B	1	AIR CLEANER BRACKET
24	5025249	5	BOLT, M8 x 20MM
25	5022370X8	1	STUB SHAFT
26	5025013X8	2	BOLT, 3/8-16 x 1
27	5025128	1	NUT, 3/8-16 Hex Serrated Flange
28	5022950	1	MUFFLER
29	-	4	NUT, Hex, M8
30	-	1	MUFFLER GASKET

Footnotes

- See your local Briggs & Stratton engine dealer for parts & service.

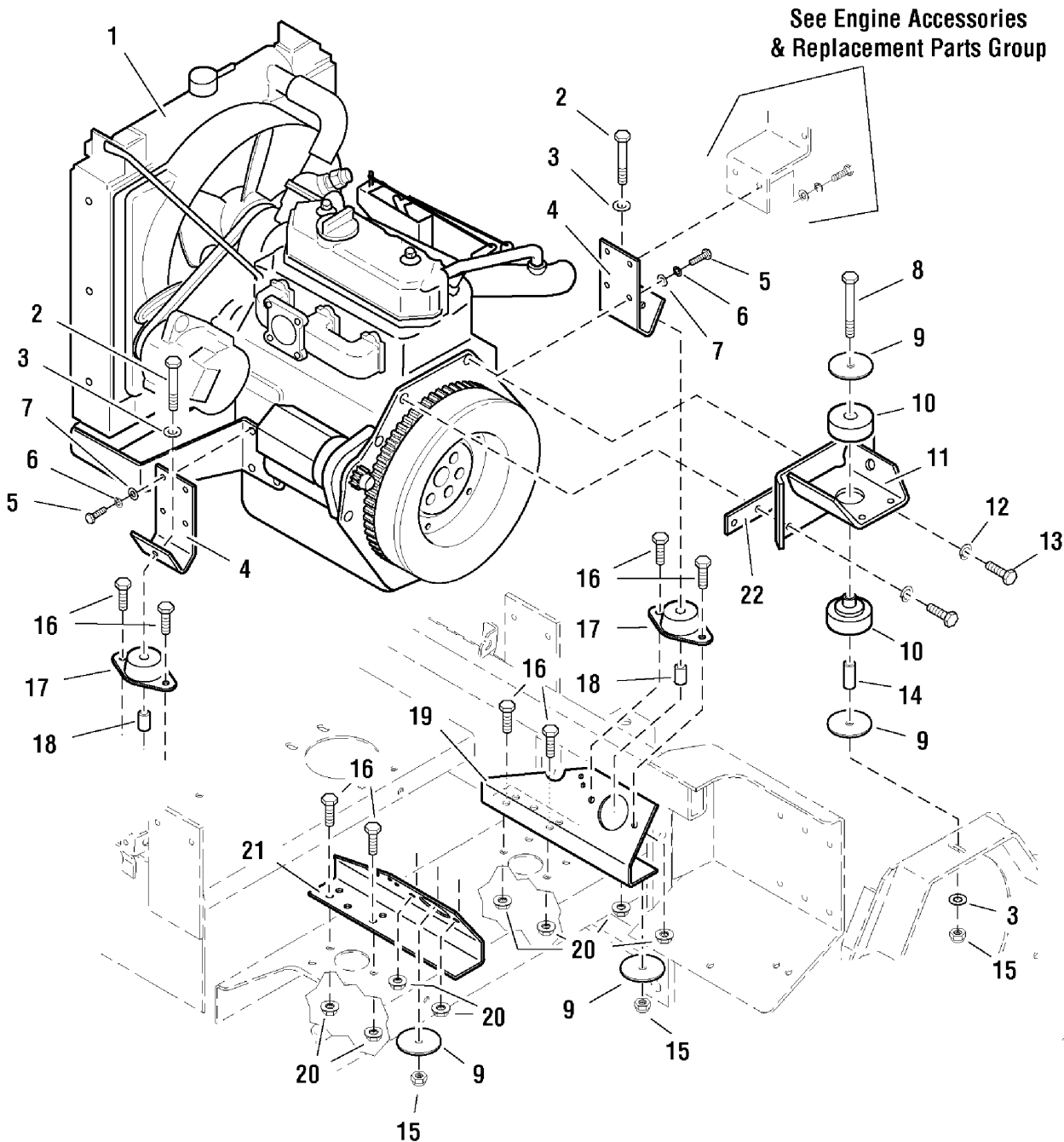
The above parts group applies to the following Mfg. Nos.:

5901073 (IS5000Z/D34)

Engine & PTO Group - Gas

061ENGB0

NOTE: Unless noted otherwise,
use the standard hardware torque
specification chart.



The above parts group applies to the following Mfg. Nos.:
5901073 (IS5000Z/D34)

Engine & PTO Group - Gas

REF NO	PART NO.	QTY.	DESCRIPTION
1	5022936	1	ENGINE, Briggs & Stratton, Diahatsu 34 HP Gas
2	5025013X20	2	BOLT, 3/8-16 x 2-1/2
3	5025156	3	WASHER, 3/8" SAE
4	5047789B	2	MOTOR MOUNT - Front
5	5025245	6	BOLT, M8 x 30MM
6	5025170	6	WASHER, 5/16" Lock
7	5025155	6	WASHER, 5/16" SAE
8	5025013X24	1	BOLT, 3/8-16 x 3
9	5047381	4	WASHER, 3/8 x 2-1/2
10	5022938	1	ISO MOUNT, Rear (2 piece)
11	5048115B	1	MOTOR MOUNT - Upper
12	5025171	2	WASHER, 3/8" Lock
13	5025344	2	BOLT, M10 x 35MM
14	5047380	1	SPACER, .38 x .62 x 1.62
15	5025096	3	NUT, 3/8-16 Hex Nylon Lock
16	5025013X8	8	BOLT, 3/8-16 x 1
17	5022937	2	ISO MOUNT, Front
18	5044959	2	SPACER, .38 x .50 x 1.00
19	5047791B	1	MOTOR MOUNT PLATE - RH
20	5025128	8	NUT, 3/8-16 Hex Serrated Flange
21	5047792B	1	MOTOR MOUNT PLATE - LH
22	5047817	1	PLATE, Iso Mount, Rear

Footnotes

- See your local Briggs & Stratton engine dealer for parts & service.

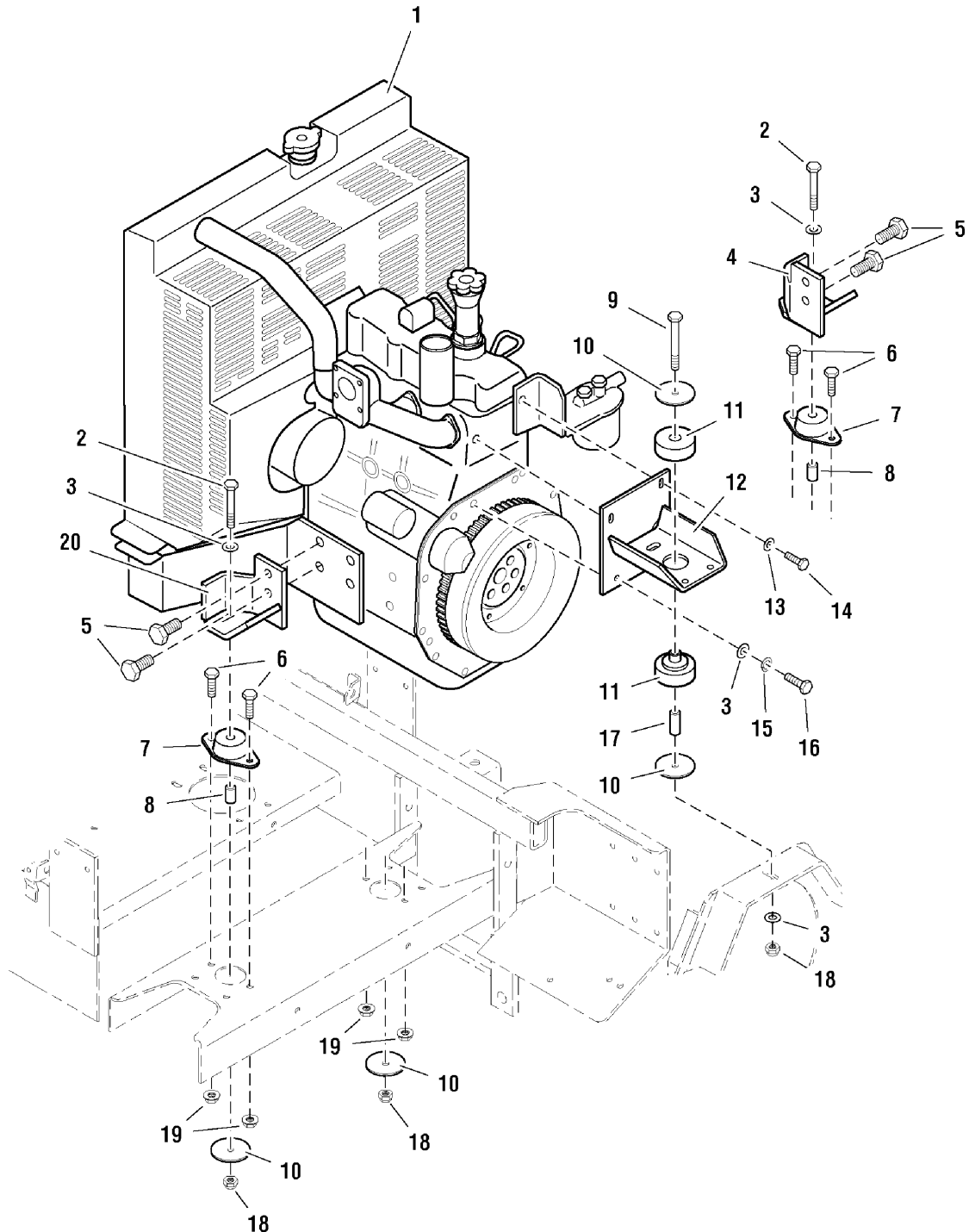
The above parts group applies to the following Mfg. Nos.:

5901073 (IS5000Z/D34)

Engine & PTO Group - Diesel

061.ENG.C0

NOTE: Unless noted otherwise,
use the standard hardware torque
specification chart.



The above parts group applies to the following Mfg. Nos.:

5901070 (S/N: 1225 & below) (IS5000Z/C3)

5901074 (S/N: 1225 & below) (IS5000Z/C3)

5901071 (S/N: 1225 & below) (IS5000Z/C3)

Engine & PTO Group - Diesel

REF NO	PART NO.	QTY.	DESCRIPTION
1	5022883	1	ENGINE, Caterpillar 31.5 HP Diesel
2	5025013X20	2	BOLT, 3/8-16 x 2-1/2
3	5025156	5	WASHER, 3/8" SAE
4	5047364B	1	MOTOR MOUNT - RH
5	25357	4	BOLT, M14 x 30MM
6	5025013X8	4	BOLT, 3/8-16 x 1
7	5022896	2	ISO MOUNT, Front
8	5044959	2	SPACER, .38 x .50 x 1.00
9	5025013X24	1	BOLT, 3/8-16 x 3
10	5047381	4	WASHER, 3/8 x 2-1/2
11	5022897	1	ISO MOUNT, Rear (2 piece)
12	5047360B	1	MOTOR MOUNT - Upper
13	5025155	2	WASHER, 5/16" SAE
14	5025249	2	BOLT, M8 x 20MM
15	5025171	2	WASHER, 3/8" Lock
16	5025333	2	BOLT, M10 x 30MM
17	5047380	1	SPACER, .38 x .62 x 1.62
18	5025096	3	NUT, 3/8-16 Hex Nylon Lock
19	5025128	4	NUT, 3/8-16 Hex Serrated Flange
20	5047365B	1	MOTOR MOUNT - LH

Footnotes

- See your local Caterpillar engine dealer for parts & service.

The above parts group applies to the following Mfg. Nos.:

5901070 (S/N: 1225 & below) (IS5000Z/C3)

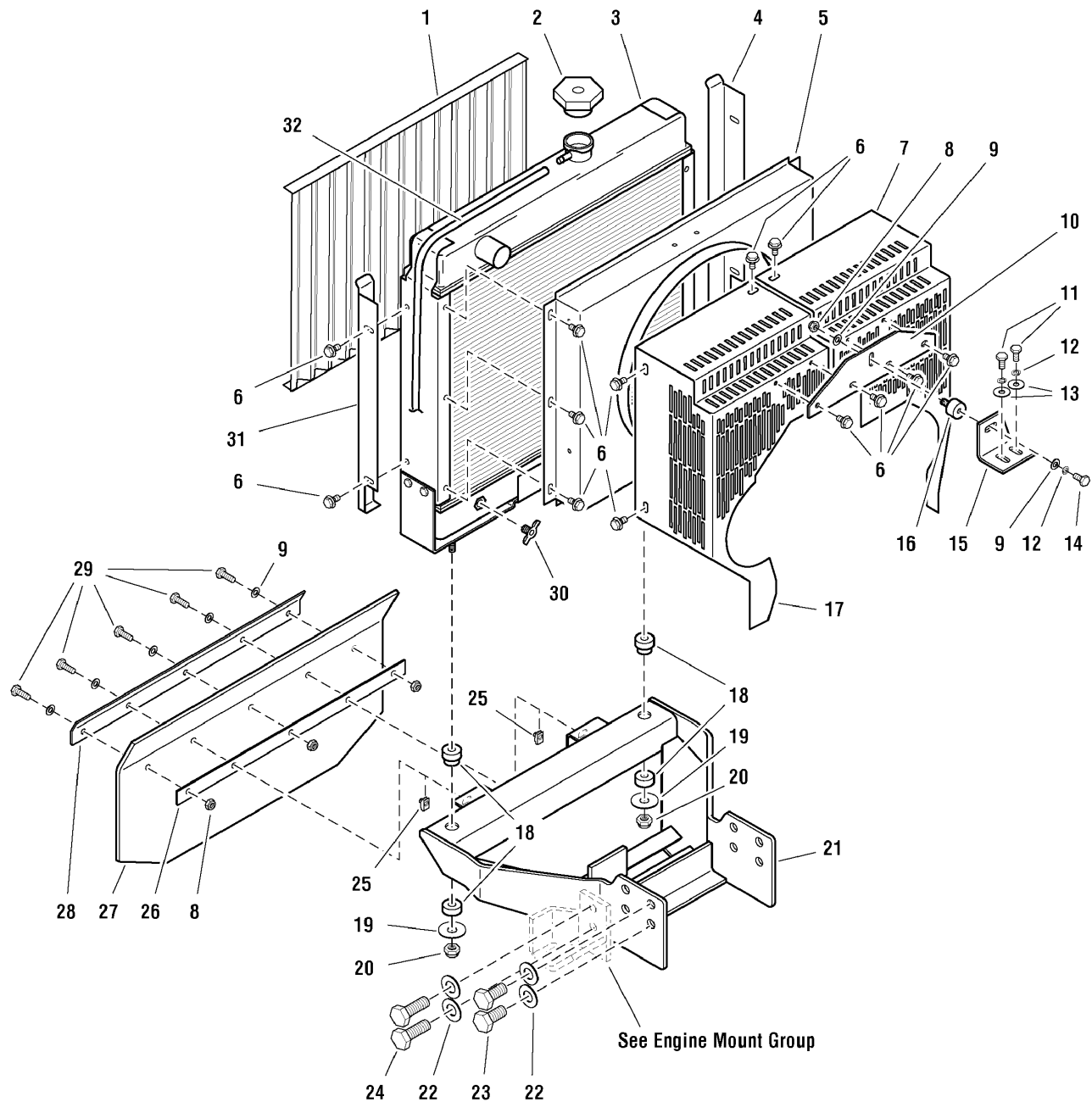
5901074 (S/N: 1225 & below) (IS5000Z/C3)

5901071 (S/N: 1225 & below) (IS5000Z/C3)

Radiator Accessories Group

NOTE: Unless noted otherwise,
use the standard hardware torque
specification chart.

061RAC0



The above parts group applies to the following Mfg. Nos.:

5901070 (S/N: 1225 & below) (IS5000Z/C3)

5901074 (S/N: 1225 & below) (IS5000Z/C3)

5901071 (S/N: 1225 & below) (IS5000Z/C3)

Radiator Accessories Group

REF NO	PART NO.	QTY.	DESCRIPTION
1	5023129	1	SCREEN
2	5023150	1	PRESSURE CAP
3	5023127	1	RADIATOR
4	5048534B	1	SCREEN BRACKET-RH
5	5023128	1	FAN SHROUD
6	5023158	20	BOLT, Flange Head, 5/16-18 x 1/2
7	5023134	1	FINGER GUARD-RH
8	5025057	4	NUT, 5/16-18 Hex Nylon Lock
9	5025155	7	WASHER, 5/16" SAE
10	5048578B	1	RADIATOR MOUNT PLATE
11	5025249	2	BOLT, M8 x 20MM
12	5025170	3	WASHER, 5/16" Lock
13	5025337	2	WASHER, 5/16" USS
14	5025011X6	1	BOLT, 5/16-18 x 3/4
15	5048579B	1	RADIATOR MOUNT BRACKET
16	5023130	1	ISO-MOUNT, Top
17	5023135	1	FINGER GUARD-LH
18	5023131	2	ISO-MOUNT, Bottom (2 piece)
19	5025305	2	WASHER, 3/8 x 1-3/4
20	5025096	2	NUT, 3/8-16 Hex Nylon Lock
21	5048503B	1	RADIATOR MOUNT
22	5025281	8	WASHER, 5/8" SAE
23	5025383	4	BOLT, M14 x 25MM
24	5025382	4	BOLT, M14 x 35MM
25	5022308	2	BODY CLIP, 5/16-18
26	5048565B	1	RETAINING PLATE
27	5048563	1	LOWER SEAL
28	5048564B	1	RETAINING PLATE, Outer
29	5025011X8	5	BOLT, 5/16-18 x 1
30	5023151	1	PETCOCK VALVE
31	5048533B	1	SCREEN BRACKET-LH
32	48582	1	OVERFLOW HOSE

Footnotes

The above parts group applies to the following Mfg. Nos.:

5901070 (S/N: 1225 & below) (IS5000Z/C3)

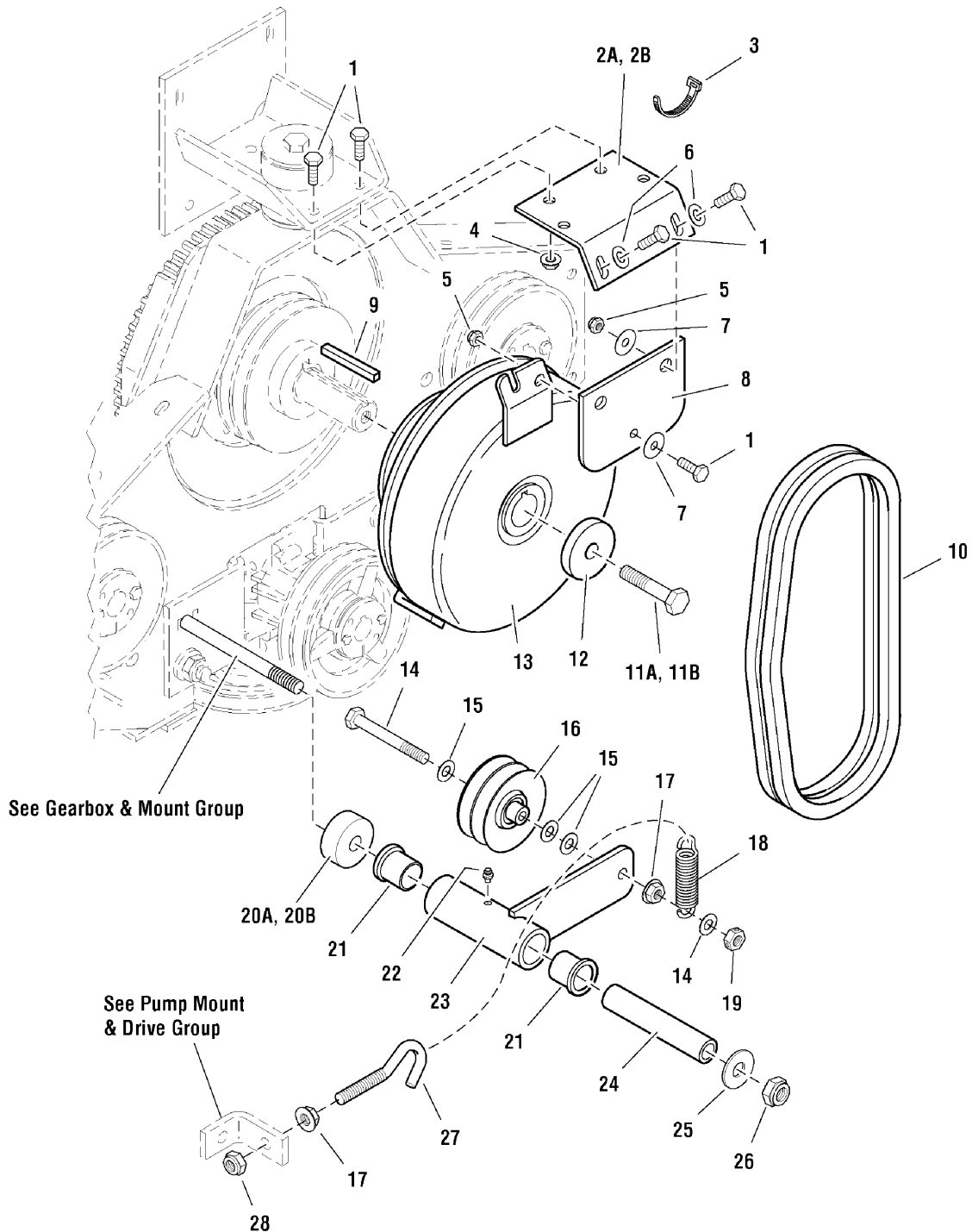
5901074 (S/N: 1225 & below) (IS5000Z/C3)

5901071 (S/N: 1225 & below) (IS5000Z/C3)

PTO Clutch Drive Group

061PT00

NOTE: Unless noted otherwise,
use the standard hardware torque
specification chart.



The above parts group applies to the following Mfg. Nos.:

5901070 (S/N: 1225 & below) (IS5000Z/C3)

5901074 (S/N: 1225 & below) (IS5000Z/C3)

5901071 (S/N: 1225 & below) (IS5000Z/C3)

5901073 (IS5000Z/D34)

PTO Clutch Drive Group

REF NO	PART NO.	QTY.	DESCRIPTION
1	5025011X8	5	BOLT, 5/16-18 x 1
2A	5047563B	1	CLUTCH ANCHOR (Diesel model)
2B	5047839B	1	CLUTCH ANCHOR (Gas model)
3	5021030	1	TIE WRAP, 5-1/2"
4	5025127	2	NUT, 5/16-18 Hex Small Serrated Flange
5	5025045	3	NUT, 5/16-24, Hex Nylon Lock
6	5025155	2	WASHER, 5/16" SAE
7	5044617	3	WASHER, Clutch Anchor
8	5043636	1	CLUTCH ANCHOR PAD
9	5050407X2	1	KEY, 1/4 SQ. X 3
10	5022575	1	BELT, Clutch Drive (set of 2)
11A	5045473	1	CRANKSHAFT BOLT, 7/16 x 1-1/2 (Diesel model)
11B	5047991	1	CRANKSHAFT BOLT, 7/16 x 3-3/4 (Gas model)
12	5045475	1	SPACER, .45 x 1.88 x .38
13	5022884	1	PTO CLUTCH
14	5025013X24	1	BOLT, 3/8-16 x 3
15	5025156	4	WASHER, 3/8" SAE
16	5022797	1	PULLEY, Idler
17	5025128	2	NUT, 3/8-16 Hex Serrated Flange
18	1608395	1	SPRING, Extension
19	5025100	1	NUT, 3/8-16 Hex Side Lock
20A	5046916	1	SPACER, .51 x 1.75 x .75 (Diesel model)
20B	5047843	1	SPACER, .51 x 1.75 x .50 (Gas model)
21	5022250	2	BUSHING, Flange
22	5020095	1	GREASE FITTING
23	5046565B	1	CLUTCH DRIVE IDLER ARM
24	5045305	1	PIVOT SLEEVE, Long
25	5025158	1	WASHER, 1/2" SAE
26	5025056	1	NUT, 1/2-13 Hex Nylon Lock
27	5025321	1	SCREW HOOK, 3/8-16 x 4-1/4
28	5025096	1	NUT, 3/8-16 Hex Nylon Lock

Footnotes

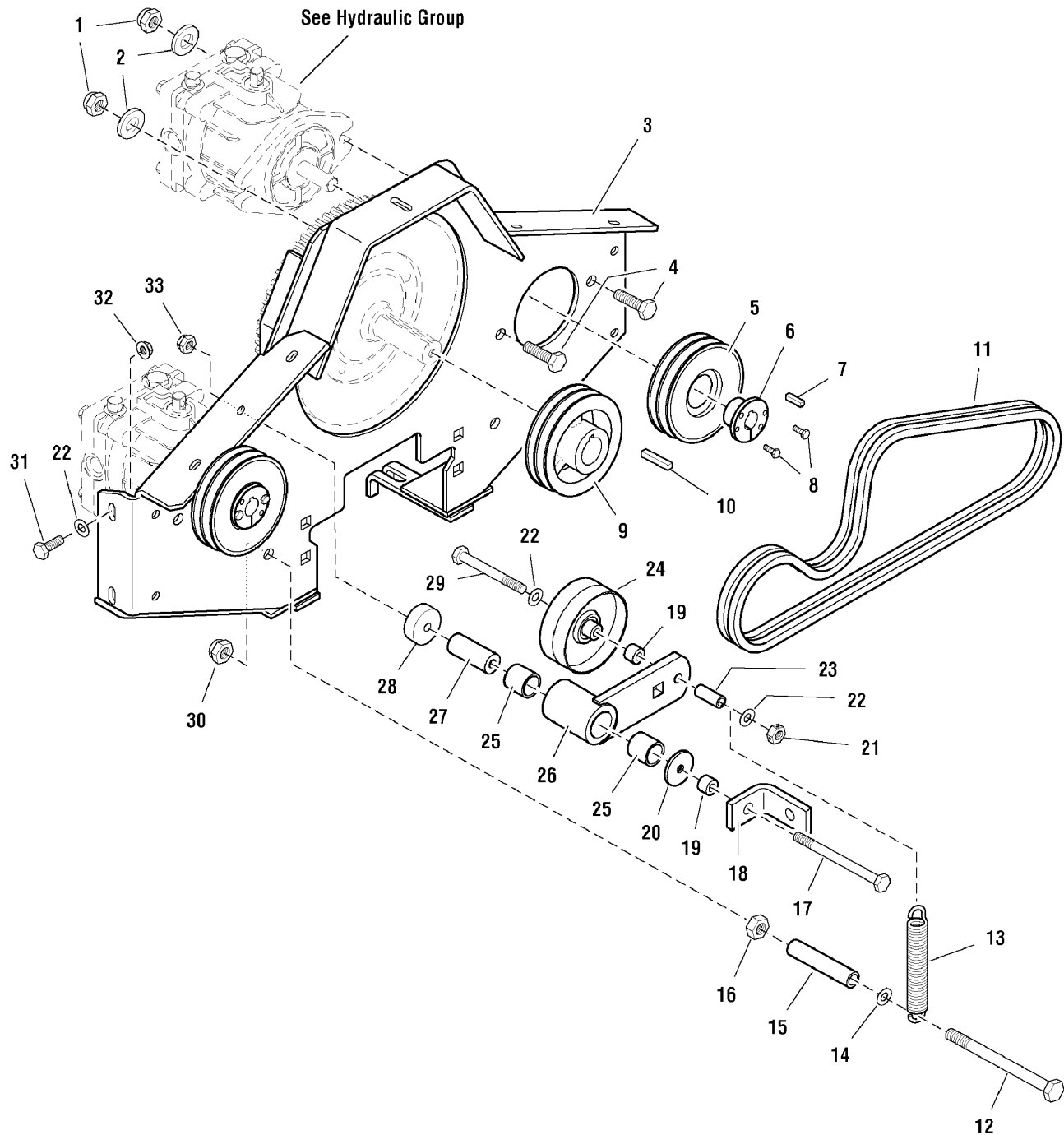
The above parts group applies to the following Mfg. Nos.:

5901070 (S/N: 1225 & below) (IS5000Z/C3)
5901074 (S/N: 1225 & below) (IS5000Z/C3)
5901071 (S/N: 1225 & below) (IS5000Z/C3)
5901073 (IS5000Z/D34)

Pump Drive Group - Diesel

061PDRD0

NOTE: Unless noted otherwise,
use the standard hardware torque
specification chart.



The above parts group applies to the following Mfg. Nos.:

5901070 (S/N: 1225 & below) (IS5000Z/C3)

5901074 (S/N: 1225 & below) (IS5000Z/C3)

5901071 (S/N: 1225 & below) (IS5000Z/C3)

Pump Drive Group - Diesel

REF NO	PART NO.	QTY.	DESCRIPTION
1	5025098	4	NUT, 1/2-20 Hex Nylon Lock
2	5044913	4	WASHER, Frame Retaining
3	5047361B	1	PUMP MOUNT PLATE
4	5025018X14	4	BOLT, 1/2-20 x 1-3/4
5	5022382	2	PULLEY, Pump Drive
6	5022383	2	HUB, Taper Lock
7	5023254	2	KEY, 5MM SQ. x 25MM w/ Round Ends
8	5025010X8	4	BOLT, 1/4-20 x 1
9	5022899	1	PULLEY, Pump Drive
10	5050404X4	1	KEY, 5/16 SQ. X 1-1/4
11	5022314	1	BELT, Pump Drive (set of 2)
12	5025017X40	1	BOLT, 1/2-13 x 5
13	5022847	1	SPRING, Extension, Swivel End
14	5025158	1	WASHER, 1/2" SAE
15	5050857X3P25	1	HOSE, 3-1/4
16	5025301	1	NUT, 1/2-13 Hex Jam
17	5025013X36	1	BOLT, 3/8-16 x 4-1/2
18	5042142B	1	SPRING ANCHOR
19	5044933	2	SPACER, .39 x .75 x .38
20	5025305	1	WASHER, 3/8 x 1-3/4
21	5025100	1	NUT, 3/8-16 Hex Side Lock
22	5025156	8	WASHER, 3/8" SAE
23	5047199	1	SPACER, .38 x .50 x .75
24	5022373	1	PULLEY, Idler, Flat
25	5022157	2	BUSHING, Brass
26	5046574B	1	PUMP DRIVE IDLER ARM
27	5045135	1	SPACER, .39 X 1.00 X 2.55
28	5045475	1	SPACER, .45 x 1.88 x .38
29	5025013X24	1	BOLT, 3/8-16 x 3
30	5025056	1	NUT, 1/2-13 Hex Nylon Lock
31	5025013X8	6	BOLT, 3/8-16 x 1
32	5025128	6	NUT, 3/8-16 Hex Serrated Flange
33	5025096	1	NUT, 3/8-16 Hex Nylon Lock

Footnotes

The above parts group applies to the following Mfg. Nos.:

5901070 (S/N: 1225 & below) (IS5000Z/C3)

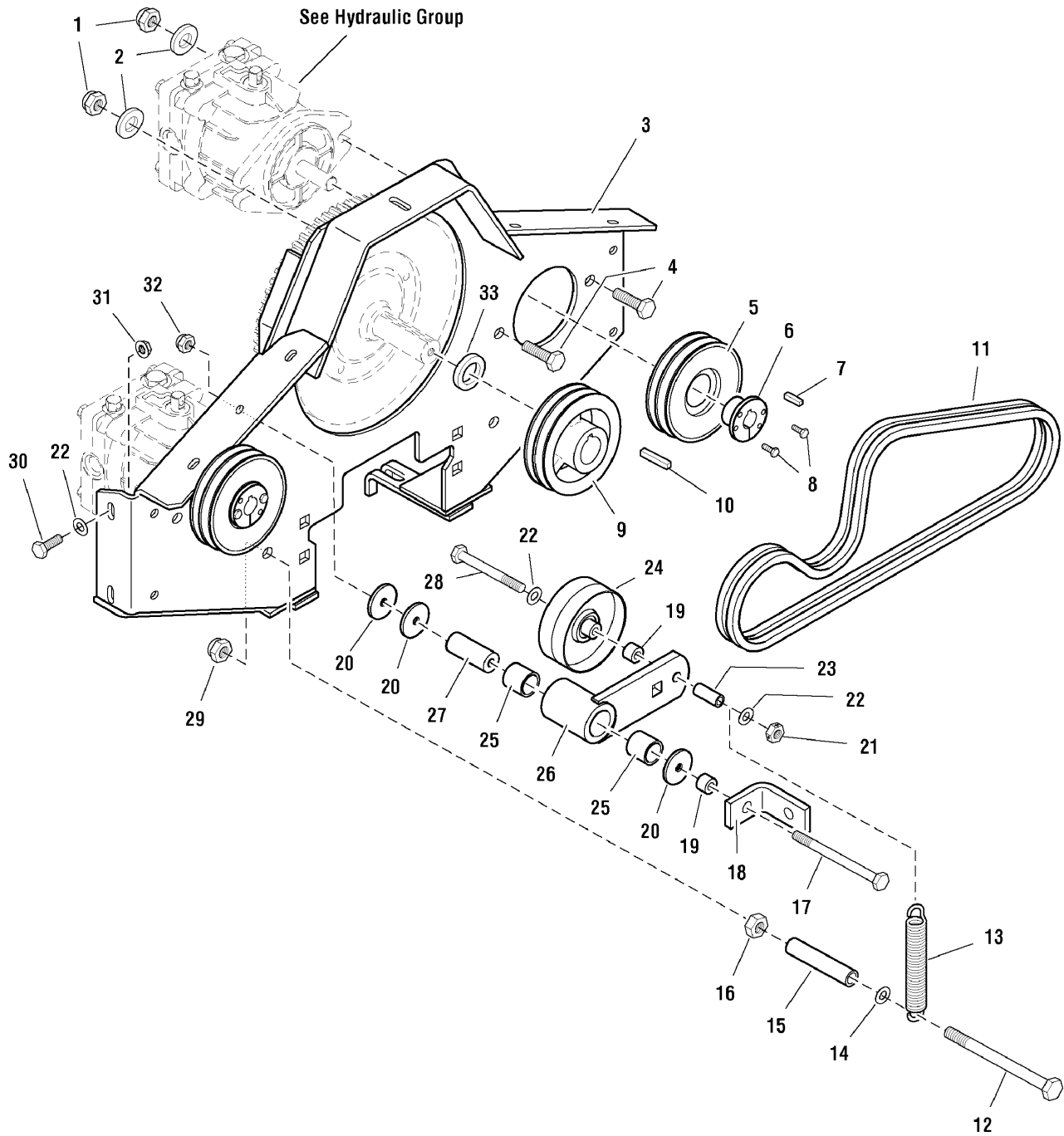
5901074 (S/N: 1225 & below) (IS5000Z/C3)

5901071 (S/N: 1225 & below) (IS5000Z/C3)

Pump Drive Group - Gas

061PDRG0

NOTE: Unless noted otherwise,
use the standard hardware torque
specification chart.



The above parts group applies to the following Mfg. Nos.:
5901073 (IS5000Z/D34)

Pump Drive Group - Gas

REF NO	PART NO.	QTY.	DESCRIPTION
1	5025098	4	NUT, 1/2-20 Hex Nylon Lock
2	5044913	4	WASHER, Frame Retaining
3	5047361B	1	PUMP MOUNT PLATE
4	5025018X14	4	BOLT, 1/2-20 x 1-3/4
5	5022382	2	PULLEY, Pump Drive
6	5022383	2	HUB, Taper Lock
7	5023254	2	KEY, 5MM SQ. x 25MM w/ Round Ends
8	5025010X8	4	BOLT, 1/4-20 x 1
9	5022380	1	PULLEY, Pump Drive
10	5050407X2	1	KEY, 1/4 SQ. X 3
11	5022314	1	BELT, Pump Drive (set of 2)
12	5025017X40	1	BOLT, 1/2-13 x 5
13	5022847	1	SPRING, Extension, Swivel End
14	5025158	1	WASHER, 1/2" SAE
15	5050857X3P25	1	HOSE, 3-1/4
16	5025301	1	NUT, 1/2-13 Hex Jam
17	5025013X36	1	BOLT, 3/8-16 x 4-1/2
18	5042142B	1	SPRING ANCHOR
19	5044933	2	SPACER, .39 x .75 x .38
20	5025305	3	WASHER, 3/8 x 1-3/4
21	5025100	1	NUT, 3/8-16 Hex Side Lock
22	5025156	8	WASHER, 3/8" SAE
23	5047199	1	SPACER, .38 x .50 x .75
24	5022373	1	PULLEY, Idler, Flat
25	5022157	2	BUSHING, Brass
26	5046574B	1	PUMP DRIVE IDLER ARM
27	5045135	1	SPACER, .39 X 1.00 X 2.55
28	5025013X24	1	BOLT, 3/8-16 x 3
29	5025056	1	NUT, 1/2-13 Hex Nylon Lock
30	5025013X8	6	BOLT, 3/8-16 x 1
31	5025128	6	NUT, 3/8-16 Hex Serrated Flange
32	5025096	1	NUT, 3/8-16 Hex Nylon Lock
33	5046904	1	SPACER, 1.13 x 1.75 x .25

Footnotes

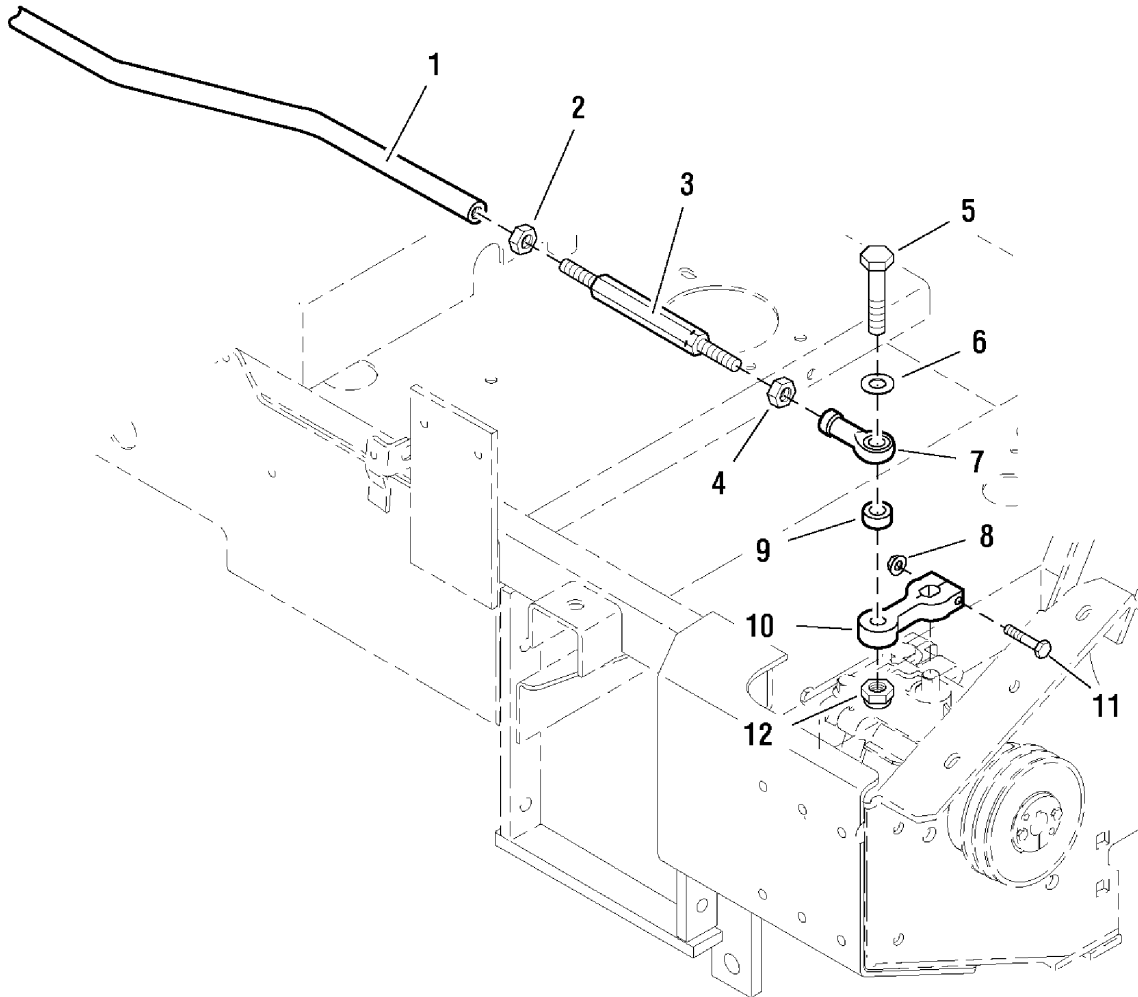
The above parts group applies to the following Mfg. Nos.:

5901073 (IS5000Z/D34)

Motion Control Group - Lower

061MCGL0

NOTE: Unless noted otherwise,
use the standard hardware torque
specification chart.



The above parts group applies to the following Mfg. Nos.:

5901070 (S/N: 1225 & below) (IS5000Z/C3)

5901074 (S/N: 1225 & below) (IS5000Z/C3)

5901071 (S/N: 1225 & below) (IS5000Z/C3)

5901073 (IS5000Z/D34)

Motion Control Group - Lower

REF NO	PART NO.	QTY.	DESCRIPTION
1	5046393B	2	CONTROL ROD
2	5025035	2	NUT, 3/8-24 Hex
3	5047589	2	LINK, Neutral Adjust
4	25317	2	NUT, 3/8-24 Hex, LH
5	5025013X16	2	BOLT, 3/8-16 x 2
6	5025156	2	WASHER, 3/8" SAE
7	5022392	2	BALL JOINT, 3/8-24 LH, Female
8	5025126	2	NUT, 1/4-20 Hex Serrated Flange
9	5044933	2	SPACER, .39 x .75 x .38
10	5045863	2	CONTROL ARM
11	5025010X14	2	BOLT, 1/4-20 x 1-3/4
12	5025096	2	NUT, 3/8-16 Hex Nylon Lock

Footnotes

The above parts group applies to the following Mfg. Nos.:

5901070 (S/N: 1225 & below) (IS5000Z/C3)

5901074 (S/N: 1225 & below) (IS5000Z/C3)

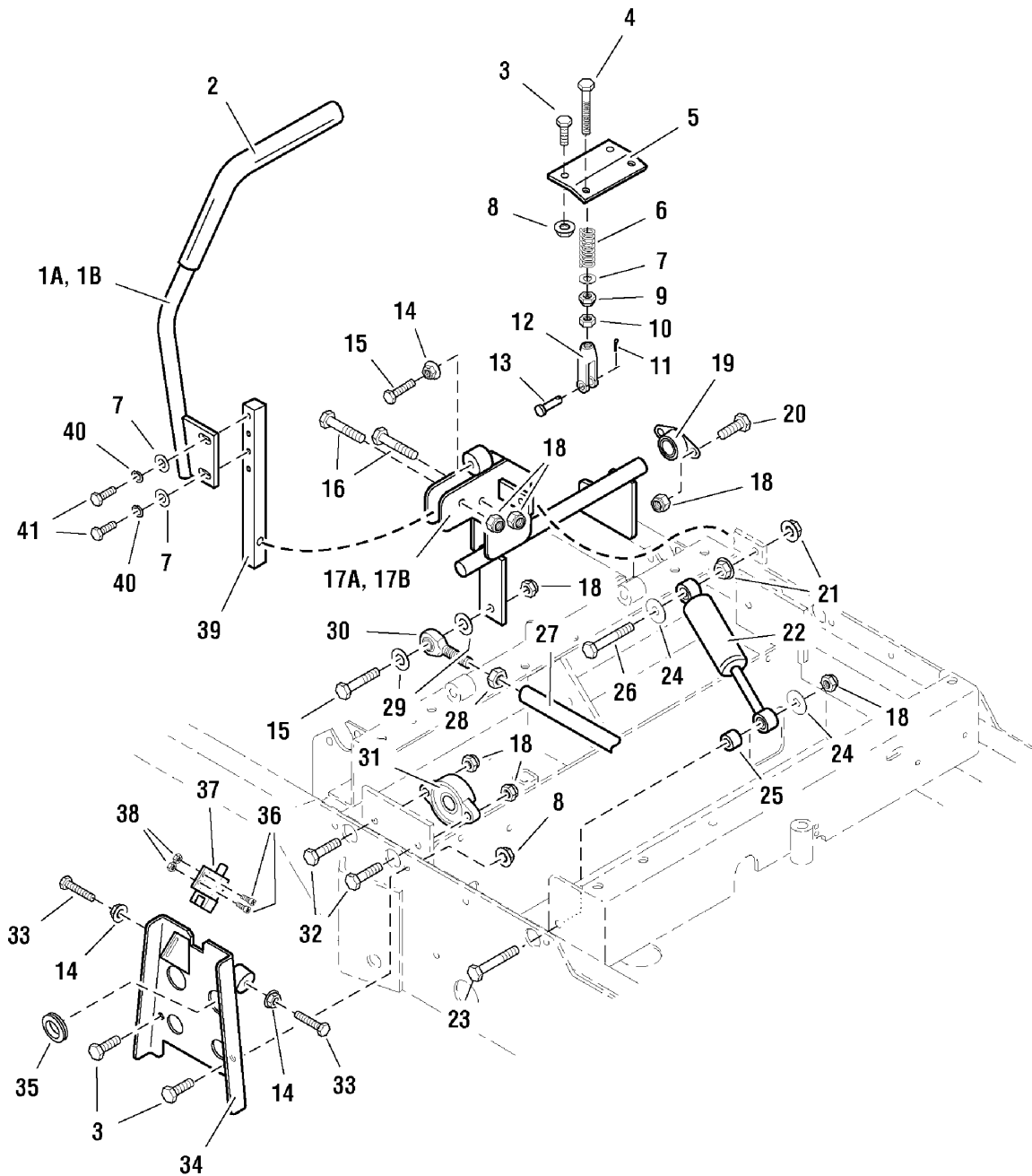
5901071 (S/N: 1225 & below) (IS5000Z/C3)

5901073 (IS5000Z/D34)

Motion Control Group - Upper

061MCGU0

NOTE: Unless noted otherwise,
use the standard hardware torque
specification chart.



The above parts group applies to the following Mfg. Nos.:

- 5901070 (S/N: 1225 & below) (IS5000Z/C3)
- 5901074 (S/N: 1225 & below) (IS5000Z/C3)
- 5901071 (S/N: 1225 & below) (IS5000Z/C3)
- 5901073 (IS5000Z/D34)

Motion Control Group - Upper

REF NO	PART NO.	QTY.	DESCRIPTION
1A	5047410B	1	CONTROL HANDLE - LH
1B	5047411B	1	CONTROL HANDLE - RH (Not Shown)
2	5022068	2	GRIP, Foam
3	5025011X6	6	BOLT, 5/16-18 x 3/4
4	5047137	2	REVERSE RETURN BOLT
5	5047401B	1	NEUTRAL RETURN PLATE
6	5022645	2	SPRING, Compression
7	5025155	6	WASHER, 5/16" SAE
8	5025139	6	NUT, 5/16-18 Hex Large Serrated Flange
9	5025045	2	NUT, 5/16-24, Hex Nylon Lock
10	5025033	2	NUT, 5/16-24 Hex
11	5025211	2	HAIRPIN CLIP
12	5020979	2	CLEVIS, 5/16-24, Plastic
13	5025213X8	2	CLEVIS PIN, 5/16 x 1
14	5025127	6	NUT, 5/16-18 Hex Small Serrated Flange
15	5025055X10	2	BOLT, 5/16-18 x 1-1/4 TFL
16	5025013X14	6	BOLT, 3/8-16 x 1-3/4
17A	5047375B	1	MOTION CONTROL SHAFT - LH
17B	5047374B	1	MOTION CONTROL SHAFT - RH (Not Shown)
18	5025096	14	NUT, 3/8-16 Hex Nylon Lock
19	5021098	2	BEARING, Flange
20	5025013X8	2	BOLT, 3/8-16 x 1
21	5025128	4	NUT, 3/8-16 Hex Serrated Flange
22	5022912	2	DAMPENER
23	5025013X20	2	BOLT, 3/8-16 x 2-1/2
24	5025165	4	WASHER, 3/8" Fender
25	5047408	2	SPACER, .39 x .75 x .50
26	5025013X18	2	BOLT, 3/8-16 x 2-1/4
27	5046393B	2	CONTROL ROD
28	5025035	2	NUT, 3/8-24 Hex
29	5025156	4	WASHER, 3/8" SAE
30	5021124	2	BALL JOINT, 3/8-24 Male
31	5021499	2	BEARING, Flange
32	5025013X10	4	BOLT, 3/8-16 x 1-1/4
33	5025055X16	4	BOLT, 5/16-18 x 2 TFL
34	5047390B	2	NEUTRAL LOCK PLATE
35	5021379	2	GROMMET, 7/8"
36	5025270	4	SCREW, #10-24 x 1
37	-	2	SWITCH (see electrical group)
38	25029	4	NUT, #10-24 Hex
39	5047004	2	CONTROL LEVER BASE

Footnotes

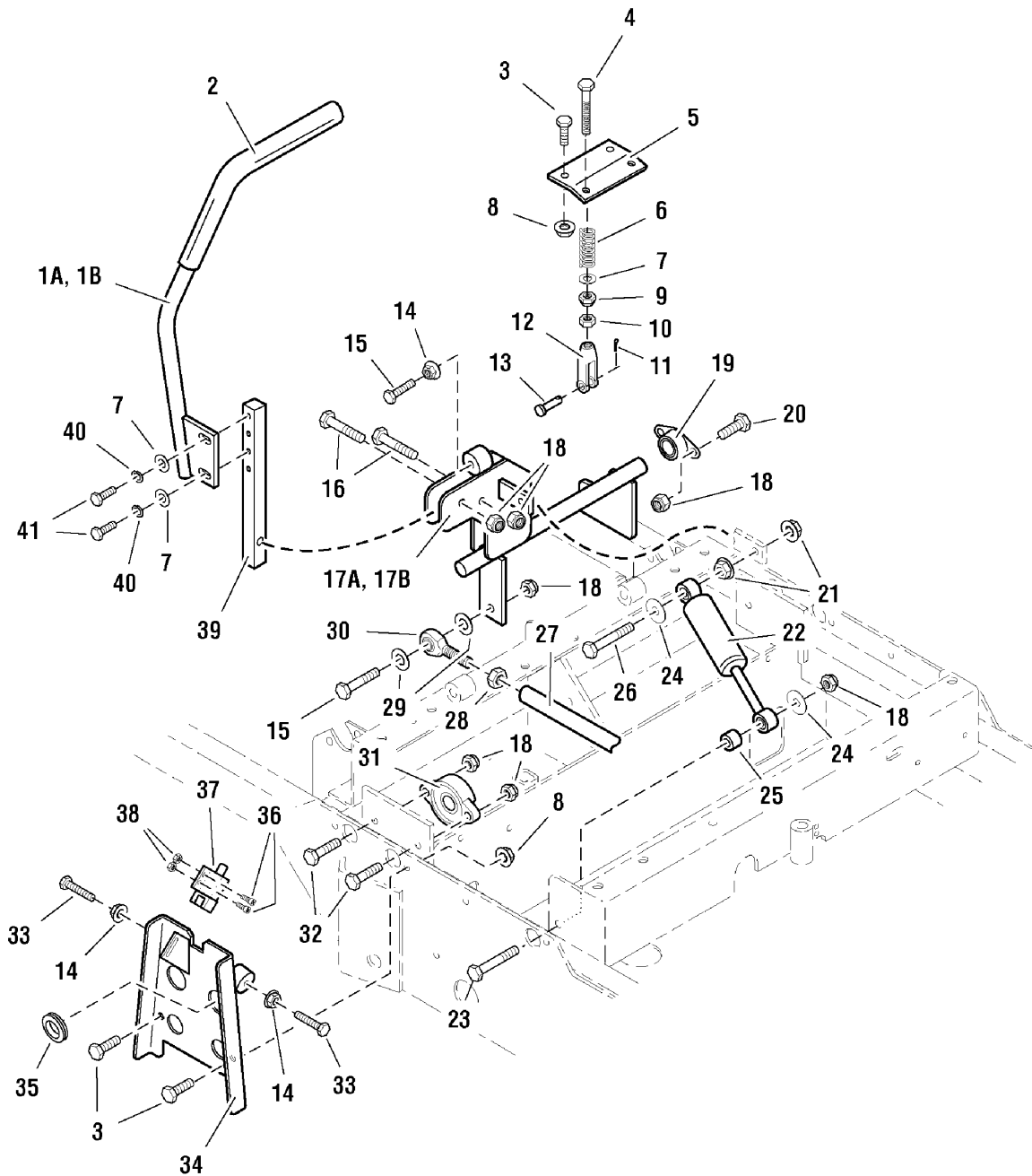
The above parts group applies to the following Mfg. Nos.:

5901070 (S/N: 1225 & below) (IS5000Z/C3)
5901074 (S/N: 1225 & below) (IS5000Z/C3)
5901071 (S/N: 1225 & below) (IS5000Z/C3)
5901073 (IS5000Z/D34)

Motion Control Group - Upper

061MCGU0

NOTE: Unless noted otherwise,
use the standard hardware torque
specification chart.



The above parts group applies to the following Mfg. Nos.:

- 5901070 (S/N: 1225 & below) (IS5000Z/C3)
- 5901074 (S/N: 1225 & below) (IS5000Z/C3)
- 5901071 (S/N: 1225 & below) (IS5000Z/C3)
- 5901073 (IS5000Z/D34)

Motion Control Group - Upper

REF NO	PART NO.	QTY.	DESCRIPTION
40	5025170	4	WASHER, 5/16" Lock
41	5025011X6	4	BOLT, 5/16-18 x 3/4

Footnotes

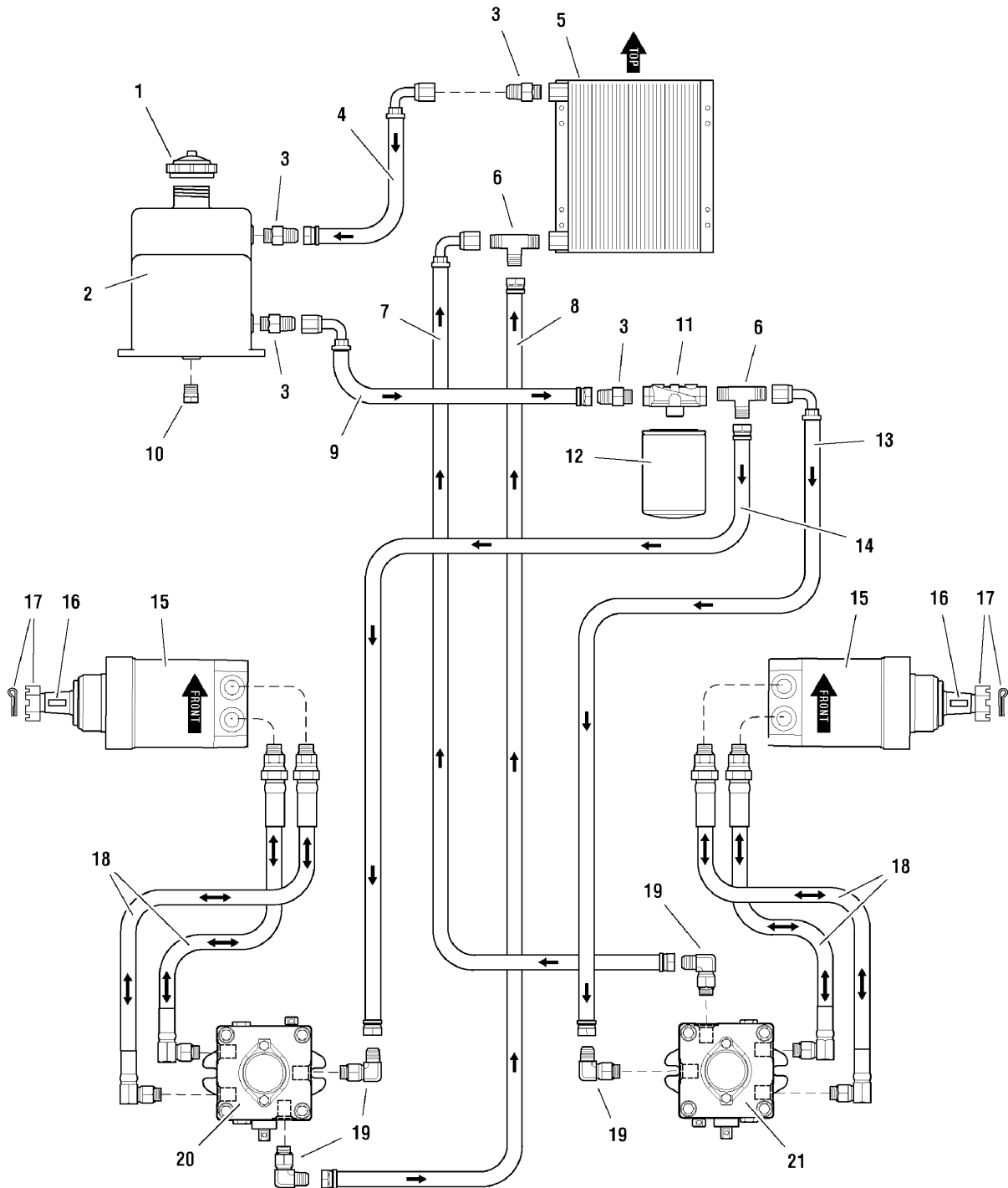
The above parts group applies to the following Mfg. Nos.:

5901070 (S/N: 1225 & below) (IS5000Z/C3)
5901074 (S/N: 1225 & below) (IS5000Z/C3)
5901071 (S/N: 1225 & below) (IS5000Z/C3)
5901073 (IS5000Z/D34)

Hydraulic Group - Diesel (Early Models)

061HYDD0

NOTE: Unless noted otherwise,
use the standard hardware torque
specification chart.



The above parts group applies to the following Mfg. Nos.:

5901070 (S/N: 1225 & below) (IS5000Z/C3)

Hydraulic Group - Diesel (Early Models)

REF NO	PART NO.	QTY.	DESCRIPTION
1	5022437	1	CAP, Reservoir
2	5045872	1	HYDRAULIC OIL RESERVOIR
3	5022601	4	FITTING, NPT - JIC #8
4	5047613	1	HOSE ASSEMBLY (28")
5	5022377	1	OIL COOLER
6	5022602	2	FITTING, TEE, JIC #8, NPT
7	5047615	1	HOSE ASSEMBLY (31")
8	5047614	1	HOSE ASSEMBLY (34")
9	5047612	1	HOSE ASSEMBLY (9")
10	5020986	1	PLUG, 1/2" NPT
11	5021356	1	FILTER HEAD
12	5021357	1	FILTER
13	5047611	1	HOSE ASSEMBLY (24")
14	5047610	1	HOSE ASSEMBLY (40")
15	5022368	2	HYDRAULIC WHEEL MOTOR, Complete (Includes Ref No. 16 & 17)
16	5022042X2	2	KEY
17	5022042X3	2	NUT & COTTER PIN
18	5022914	4	HYDRAULIC HOSE ASSEMBLY
19	5022599	4	FITTING, O-Ring, 90 Deg.
20	5022375	1	HYDRAULIC PUMP - LH
21	5022376	1	HYDRAULIC PUMP - RH

Footnotes

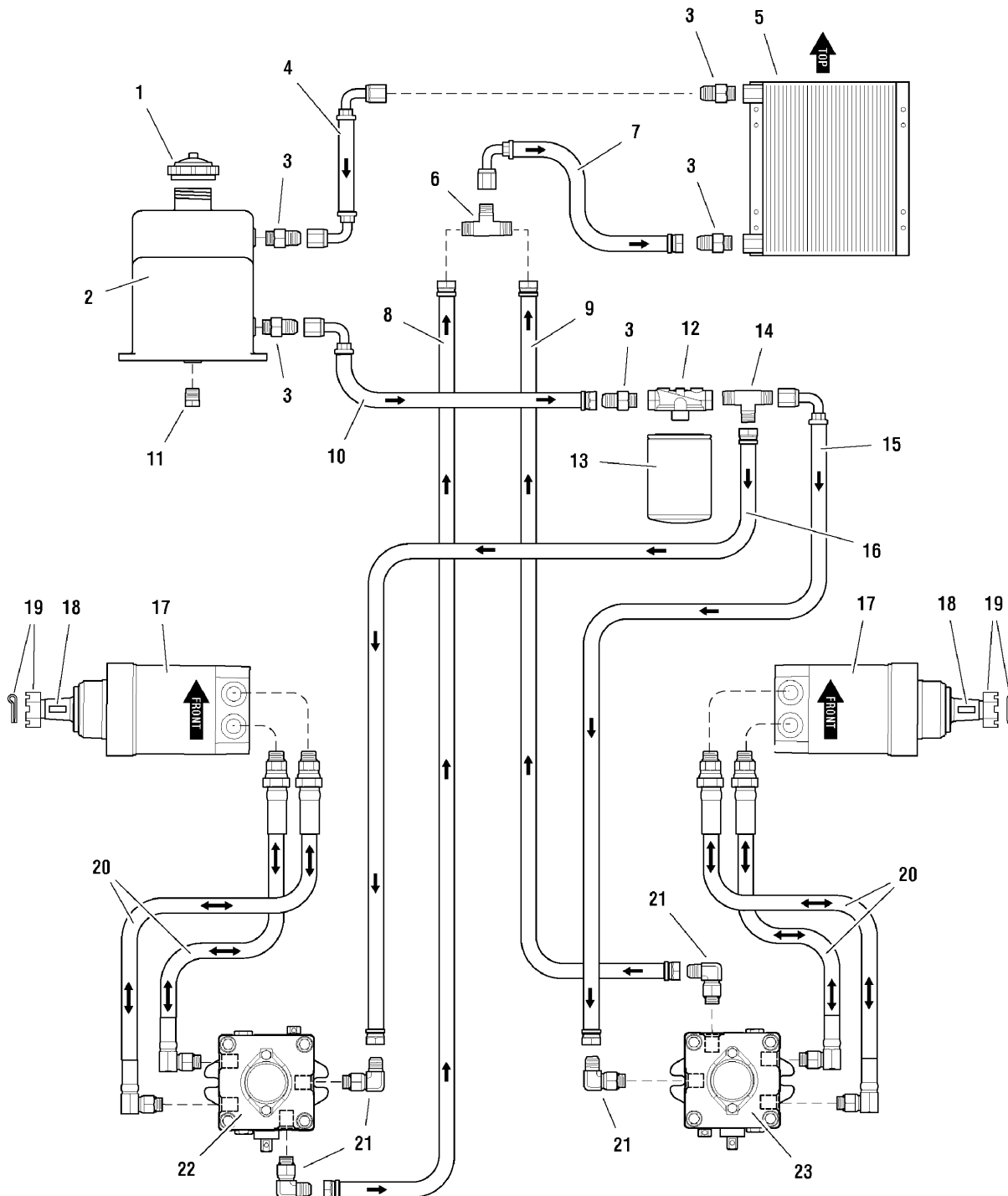
The above parts group applies to the following Mfg. Nos.:

5901070 (S/N: 1225 & below) (IS5000Z/C3)

Hydraulic Group - Diesel (Later Models)

061HYDD1

NOTE: Unless noted otherwise,
use the standard hardware torque
specification chart.



The above parts group applies to the following Mfg. Nos.:

5901070 (S/N: 1225 & below) (IS5000Z/C3)

5901074 (S/N: 1225 & below) (IS5000Z/C3)

5901071 (S/N: 1225 & below) (IS5000Z/C3)

Hydraulic Group - Diesel (Later Models)

REF NO	PART NO.	QTY.	DESCRIPTION
1	5022437	1	CAP, Reservoir
2	5045872	1	HYDRAULIC OIL RESERVOIR
3	5022601	4	FITTING, NPT - JIC #8
4	5048573	1	HOSE ASSEMBLY (24")
5	5022377	1	OIL COOLER
6	5022604	1	FITTING, TEE, JIC #8
7	5048574	1	HOSE ASSEMBLY (13-1/2")
8	5048576	1	HOSE ASSEMBLY (25")
9	5048575	1	HOSE ASSEMBLY (29")
10	5047612	1	HOSE ASSEMBLY (9")
11	5020986	1	PLUG, 1/2" NPT
12	5021356	1	FILTER HEAD
13	5021357	1	FILTER
14	5022602	1	FITTING, TEE, JIC #8, NPT
15	5047611	1	HOSE ASSEMBLY (24")
16	5047610	1	HOSE ASSEMBLY (40")
17	5022368	2	HYDRAULIC WHEEL MOTOR, Complete (Includes Ref No. 18 & 19)
18	5022042X2	2	KEY
19	5022042X3	2	NUT & COTTER PIN
20	5022914	4	HYDRAULIC HOSE ASSEMBLY
21	5022599	4	FITTING, O-Ring, 90 Deg.
22	5022375	1	HYDRAULIC PUMP - LH
23	5022376	1	HYDRAULIC PUMP - RH

Footnotes

The above parts group applies to the following Mfg. Nos.:

5901070 (S/N: 1225 & below) (IS5000Z/C3)

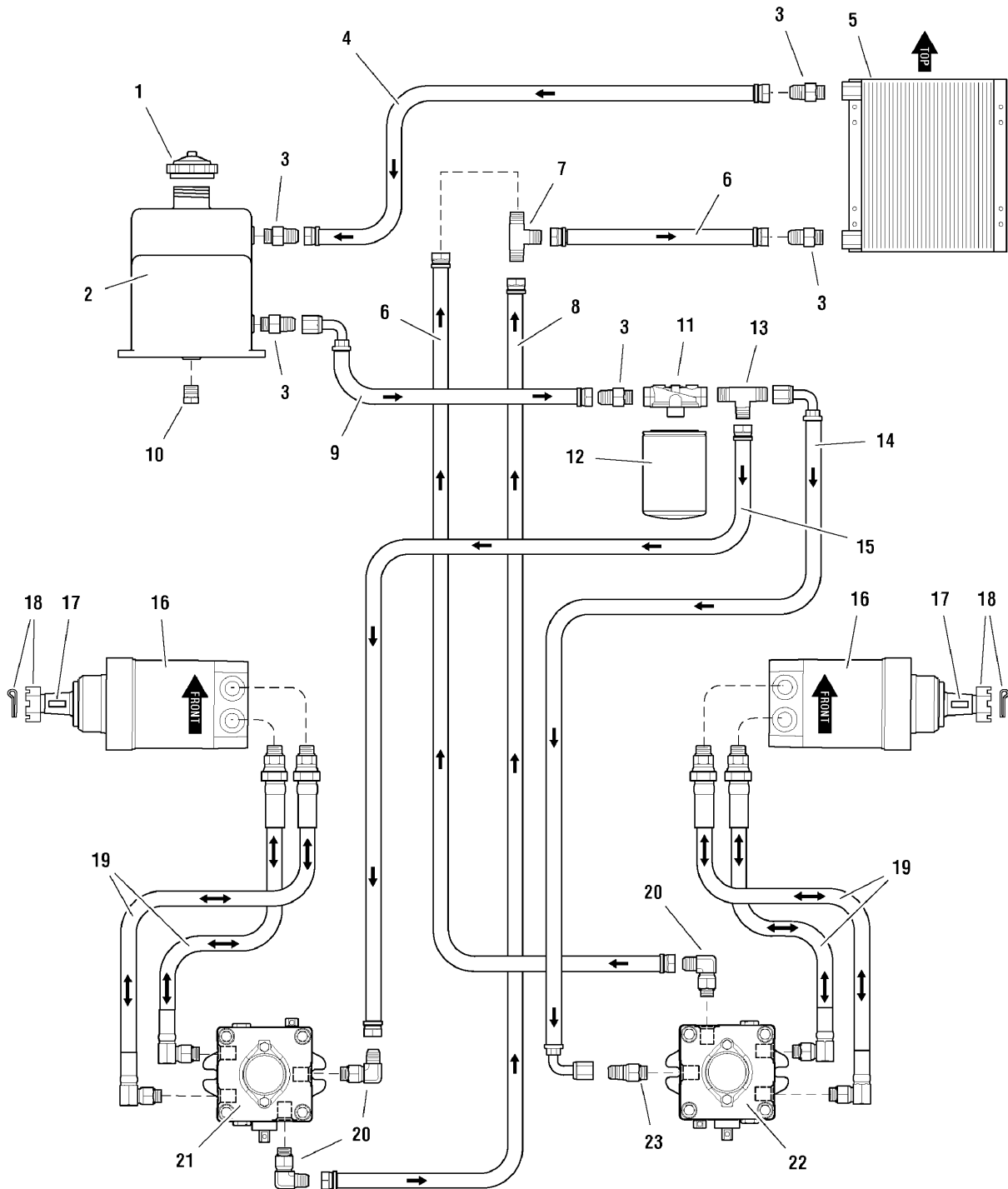
5901074 (S/N: 1225 & below) (IS5000Z/C3)

5901071 (S/N: 1225 & below) (IS5000Z/C3)

Hydraulic Group - Gas

061HYDG0

NOTE: Unless noted otherwise, use the standard hardware torque specification chart.



The above parts group applies to the following Mfg. Nos.:
5901073 (IS5000Z/D34)

Hydraulic Group - Gas

REF NO	PART NO.	QTY.	DESCRIPTION
1	5022437	1	CAP, Reservoir
2	5045872	1	HYDRAULIC OIL RESERVOIR
3	5022601	4	FITTING, NPT - JIC #8
4	5047978	1	HOSE ASSEMBLY (58")
5	5022377	1	OIL COOLER
6	5047977	2	HOSE ASSEMBLY (36")
7	5022604	1	FITTING, TEE, JIC #8
8	5047960	1	HOSE ASSEMBLY (15")
9	5047612	1	HOSE ASSEMBLY (9")
10	5020986	1	PLUG, 1/2" NPT
11	5021356	1	FILTER HEAD
12	5021357	1	FILTER
13	5022602	1	FITTING, TEE, JIC #8, NPT
14	5047971	1	HOSE ASSEMBLY (30")
15	5047610	1	HOSE ASSEMBLY (40")
16	5022368	2	HYDRAULIC WHEEL MOTOR, Complete (Includes Ref No. 17 & 18)
17	5022042X2	2	KEY
18	5022042X3	2	NUT & COTTER PIN
19	5022914	4	HYDRAULIC HOSE ASSEMBLY
20	5022599	3	FITTING, O-Ring, 90 Deg.
21	5022375	1	HYDRAULIC PUMP - LH
22	5022376	1	HYDRAULIC PUMP - RH
23	5022633	1	FITTING, O-Ring Adapter

Footnotes

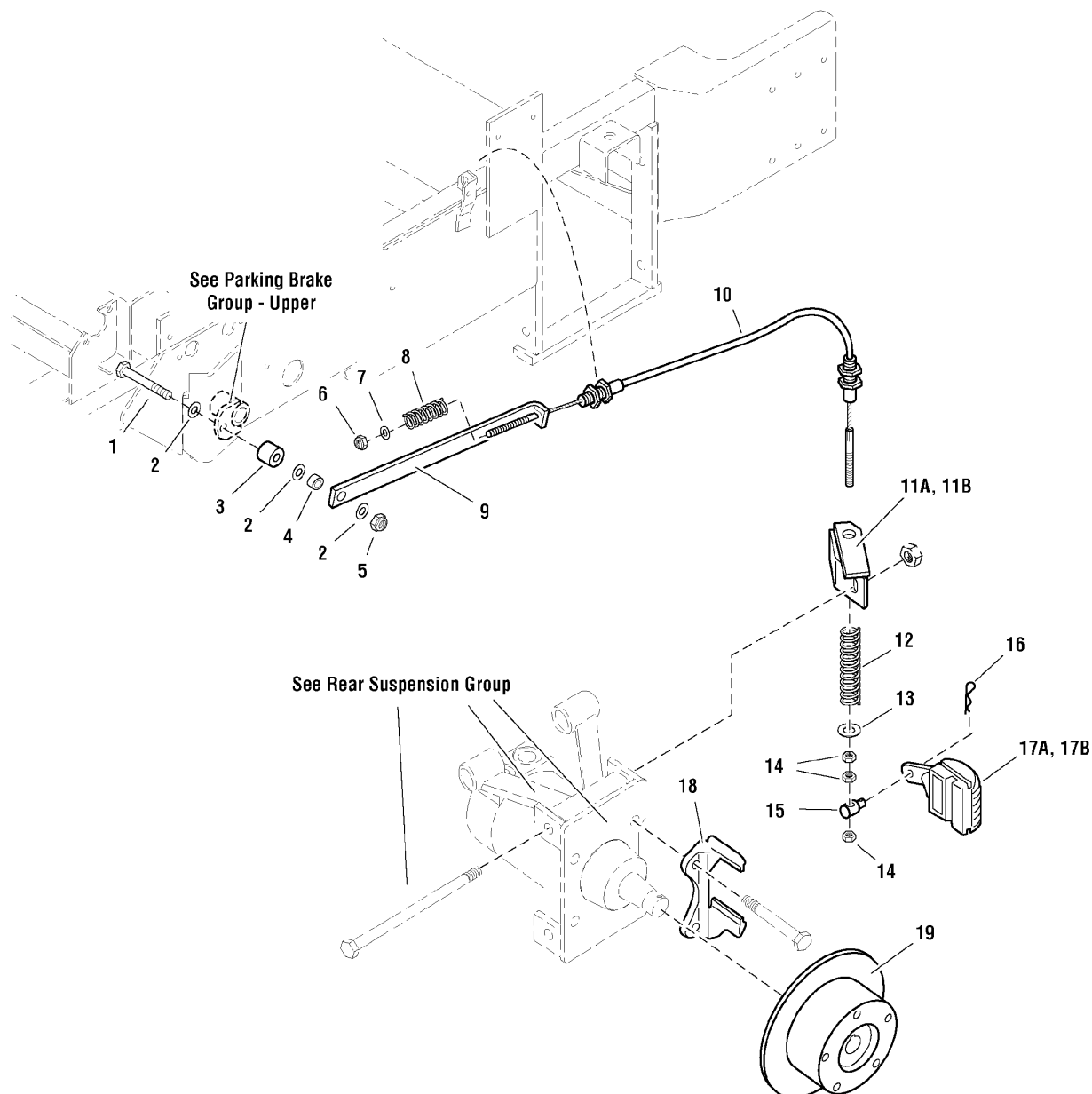
The above parts group applies to the following Mfg. Nos.:

5901073 (IS5000Z/D34)

Parking Brake Group - Lower

061PBRL0

NOTE: Unless noted otherwise,
use the standard hardware torque
specification chart.



The above parts group applies to the following Mfg. Nos.:

- 5901070 (S/N: 1225 & below) (IS5000Z/C3)
- 5901074 (S/N: 1225 & below) (IS5000Z/C3)
- 5901071 (S/N: 1225 & below) (IS5000Z/C3)
- 5901073 (IS5000Z/D34)

Parking Brake Group - Lower

REF NO	PART NO.	QTY.	DESCRIPTION
1	5025013X18	2	BOLT, 3/8-16 x 2-1/4
2	5025156	6	WASHER, 3/8" SAE
3	5047125	2	SPACER, .39 x 1.00 x .88
4	5041930	2	SPACER, .38 x .50 x .27
5	5025096	2	NUT, 3/8-16 Hex Nylon Lock
6	5025045	2	NUT, 5/16-24, Hex Nylon Lock
7	5025155	2	WASHER, 5/16" SAE
8	5022361	2	SPRING, Compression
9	5047382B	2	LINK, Brake Lock
10	5022209	2	CABLE, Brake
11A	5045604B	1	BRACKET, Cable Mount-LH
11B	5045605B	1	BRACKET, Cable Mount-RH (Not Shown)
12	5021494	2	SPRING, Compression
13	5025164	2	WASHER, 5/16" Fender
14	5025033	6	NUT, 5/16-24 Hex
15	5045947	2	ADJUSTER, Brake Linkage
16	5025211	2	HAIRPIN CLIP
17A	5023179	1	BRAKE CALIPER, LH
17B	5023180	1	BRAKE CALIPER, RH (Not Shown)
18	5022340	2	MOUNT, Brake Caliper
19	5022339	2	HUB, 8" Brake Disc

Footnotes

The above parts group applies to the following Mfg. Nos.:

5901070 (S/N: 1225 & below) (IS5000Z/C3)

5901074 (S/N: 1225 & below) (IS5000Z/C3)

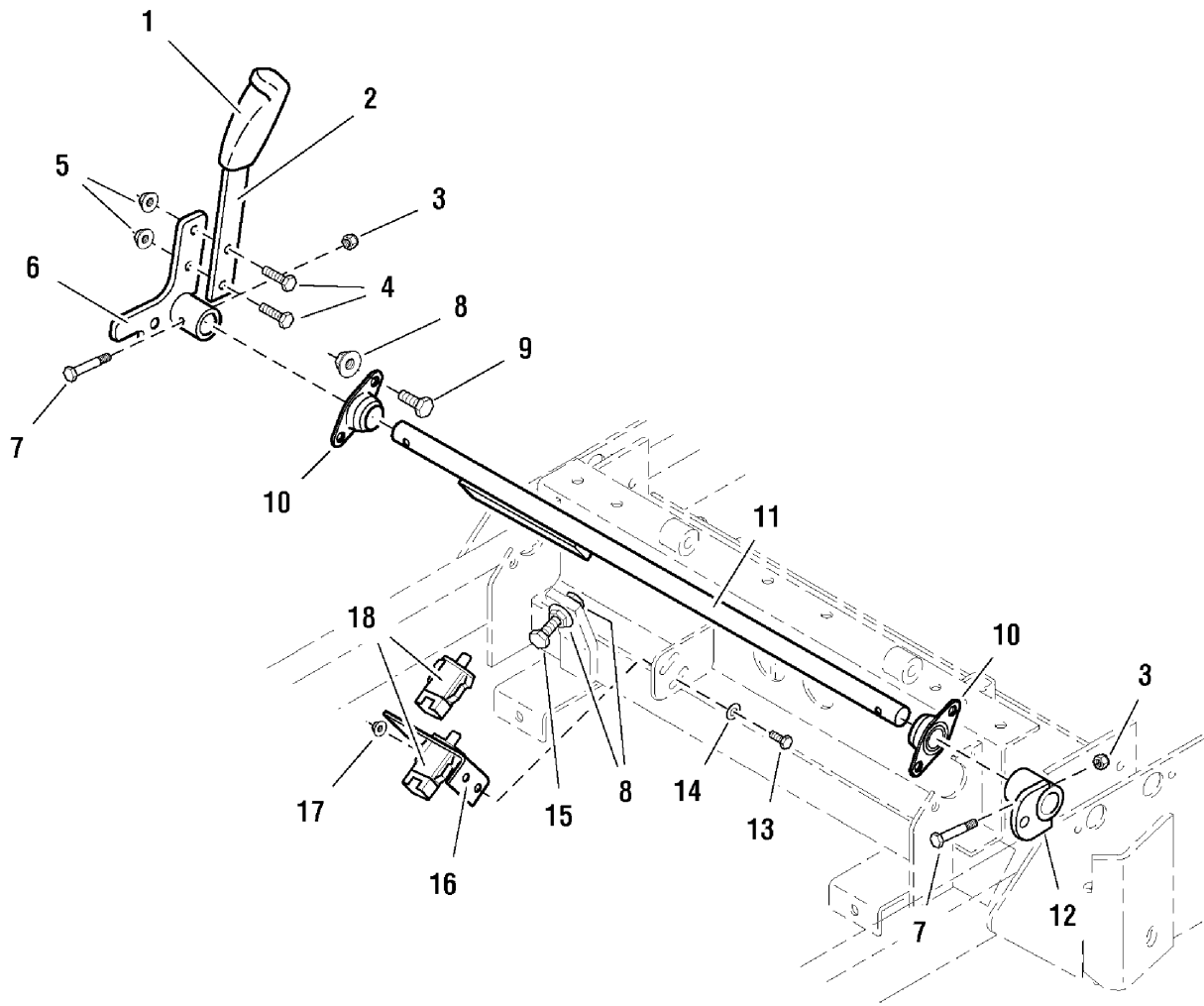
5901071 (S/N: 1225 & below) (IS5000Z/C3)

5901073 (IS5000Z/D34)

Parking Brake Group - Upper

061PBRU0

NOTE: Unless noted otherwise,
use the standard hardware torque
specification chart.



The above parts group applies to the following Mfg. Nos.:

5901070 (S/N: 1225 & below) (IS5000Z/C3)

5901074 (S/N: 1225 & below) (IS5000Z/C3)

5901071 (S/N: 1225 & below) (IS5000Z/C3)

5901073 (IS5000Z/D34)

Parking Brake Group - Upper

REF NO	PART NO.	QTY.	DESCRIPTION
1	1722302	1	GRIP
2	5045619B	1	BRAKE HANDLE
3	5025095	2	NUT, 1/4-20 Hex Nylon Lock
4	5025011X8	2	BOLT, 5/16-18 x 1
5	5025127	2	NUT, 5/16-18 Hex Small Serrated Flange
6	5045616B	1	BRAKE HANDLE MOUNT
7	5025010X14	2	BOLT, 1/4-20 x 1-3/4
8	5025128	6	NUT, 3/8-16 Hex Serrated Flange
9	5025013X6	4	BOLT, 3/8-16 x 3/4
10	5021098	2	BEARING, Flange
11	5045610B	1	BRAKE HANDLE SHAFT
12	5045618B	1	BRAKE LINKAGE PIVOT
13	5025010X6	2	BOLT, 1/4-20 x 3/4
14	5025154	2	WASHER, 1/4" SAE
15	5025058X14	1	BOLT, 3/8-16 x 1-3/4 TFL
16	5045621B	1	SWITCH MOUNT BRACKET
17	5025126	2	NUT, 1/4-20 Hex Serrated Flange
18	-	*	SWITCH (see electrical group)

Footnotes

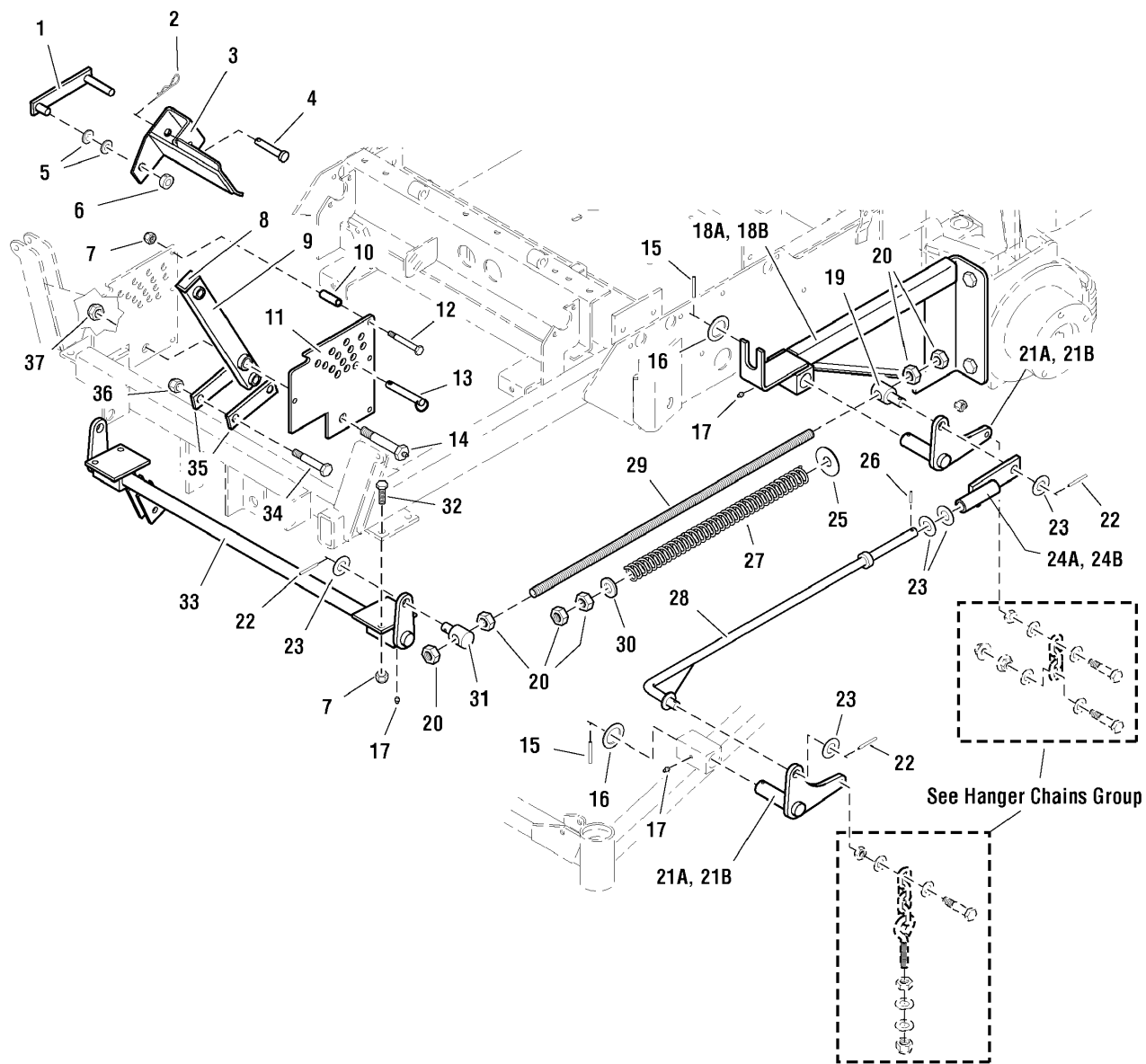
The above parts group applies to the following Mfg. Nos.:

5901070 (S/N: 1225 & below) (IS5000Z/C3)
5901074 (S/N: 1225 & below) (IS5000Z/C3)
5901071 (S/N: 1225 & below) (IS5000Z/C3)
5901073 (IS5000Z/D34)

Deck Lift Group

NOTE: Unless noted otherwise,
use the standard hardware torque
specification chart.

061DLT0



The above parts group applies to the following Mfg. Nos.:

- 5901070 (S/N: 1225 & below) (IS5000Z/C3)
- 5901074 (S/N: 1225 & below) (IS5000Z/C3)
- 5901071 (S/N: 1225 & below) (IS5000Z/C3)
- 5901073 (IS5000Z/D34)

Deck Lift Group

REF NO	PART NO.	QTY.	DESCRIPTION
1	5044999B	1	DECK LIFT LOCK
2	5025210	1	HAIRPIN CLIP
3	5045058B	1	DECK LIFT PEDAL
3	5044875	1	PEDAL SAFETY WALK
4	5022044	1	PIN, Clevis, 1/2 x 2-1/2
5	5025158	6	WASHER, 1/2" SAE
6	5023241	1	COLLAR, Split, 1/2
7	5025096	12	NUT, 3/8-16 Hex Nylon Lock
8	5022097	1	CAP
9	5044987B	1	ARM, Deck Lift Pivot
10	5044992	4	SPACER, .38 x .50 x 1.56
11	5045379B	1	DECK HEIGHT PLATE
11	5022063	1	DECAL, Deck Height
12	5025013X22	4	BOLT, 3/8-16 x 2-3/4
13	5023082	1	PIN, 1/2 x 3-1/2 w/ Lanyard
14	5044993	1	LIFT PIVOT BOLT
15	5025516	4	PIN, Roll, 3/16 x 1-1/2
16	5021253	4	SHIM
17	5020095	6	GREASE FITTING
18A	5045684	1	REAR DECK LIFT FRAME - LH
18B	5045685	1	REAR DECK LIFT FRAME - RH (Not Shown)
19	5047404	2	SPRING ROD PIVOT
20	5025040	12	NUT, 5/8-11 Hex
21A	5045449B	2	DECK LIFT PIVOT - LH
21B	5045450B	2	DECK LIFT PIVOT - RH (Not Shown)
22	5022366	6	PIN, Spring, 3/16 x 1-1/4
23	5025281	10	WASHER, 5/8" SAE
24A	5047522B	1	DECK LIFT LINK - LH
24B	5047523B	1	DECK LIFT LINK - RH (Not Shown)
25	5025159	2	WASHER, 5/8" USS
26	5025316	2	PIN, Roll, 3/16 x 3/4
27	5022333	2	SPRING, Deck Lift
28	5047543B	2	DECK LIFT ROD
29	5047413	2	SPRING ROD
30	5041477	2	SPACER, .63 x 1.06 x .23
31	5045856	2	SPRING ROD PIVOT
32	5025013X10	4	BOLT, 3/8-16 x 1-1/4
33	5047441B	1	DECK LIFT SHAFT & MOUNT ASSEMBLY
34	5025018X24	2	BOLT, 1/2-20 x 3
35	5044994B	2	DECK LIFT LINK
36	5025098	2	NUT, 1/2-20 Hex Nylon Lock

Footnotes

The above parts group applies to the following Mfg. Nos.:

5901070 (S/N: 1225 & below) (IS5000Z/C3)

5901074 (S/N: 1225 & below) (IS5000Z/C3)

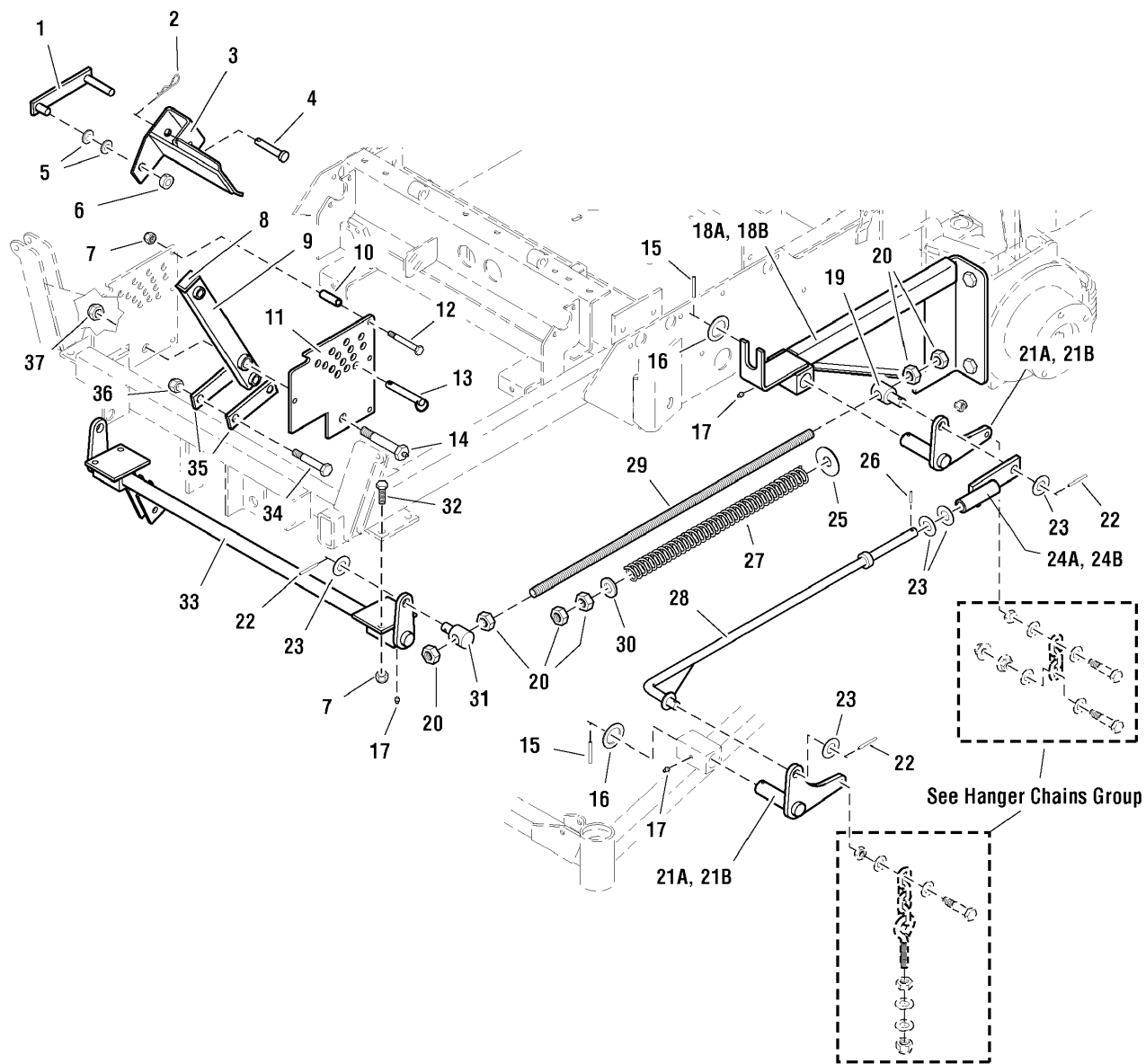
5901071 (S/N: 1225 & below) (IS5000Z/C3)

5901073 (IS5000Z/D34)

Deck Lift Group

NOTE: Unless noted otherwise,
use the standard hardware torque
specification chart.

061DLT0



The above parts group applies to the following Mfg. Nos.:

- 5901070 (S/N: 1225 & below) (IS5000Z/C3)
- 5901074 (S/N: 1225 & below) (IS5000Z/C3)
- 5901071 (S/N: 1225 & below) (IS5000Z/C3)
- 5901073 (IS5000Z/D34)

Deck Lift Group

REF NO	PART NO.	QTY.	DESCRIPTION
37	5025282	1	NUT, 5/8-11 Hex Jam Nylon Lock

Footnotes

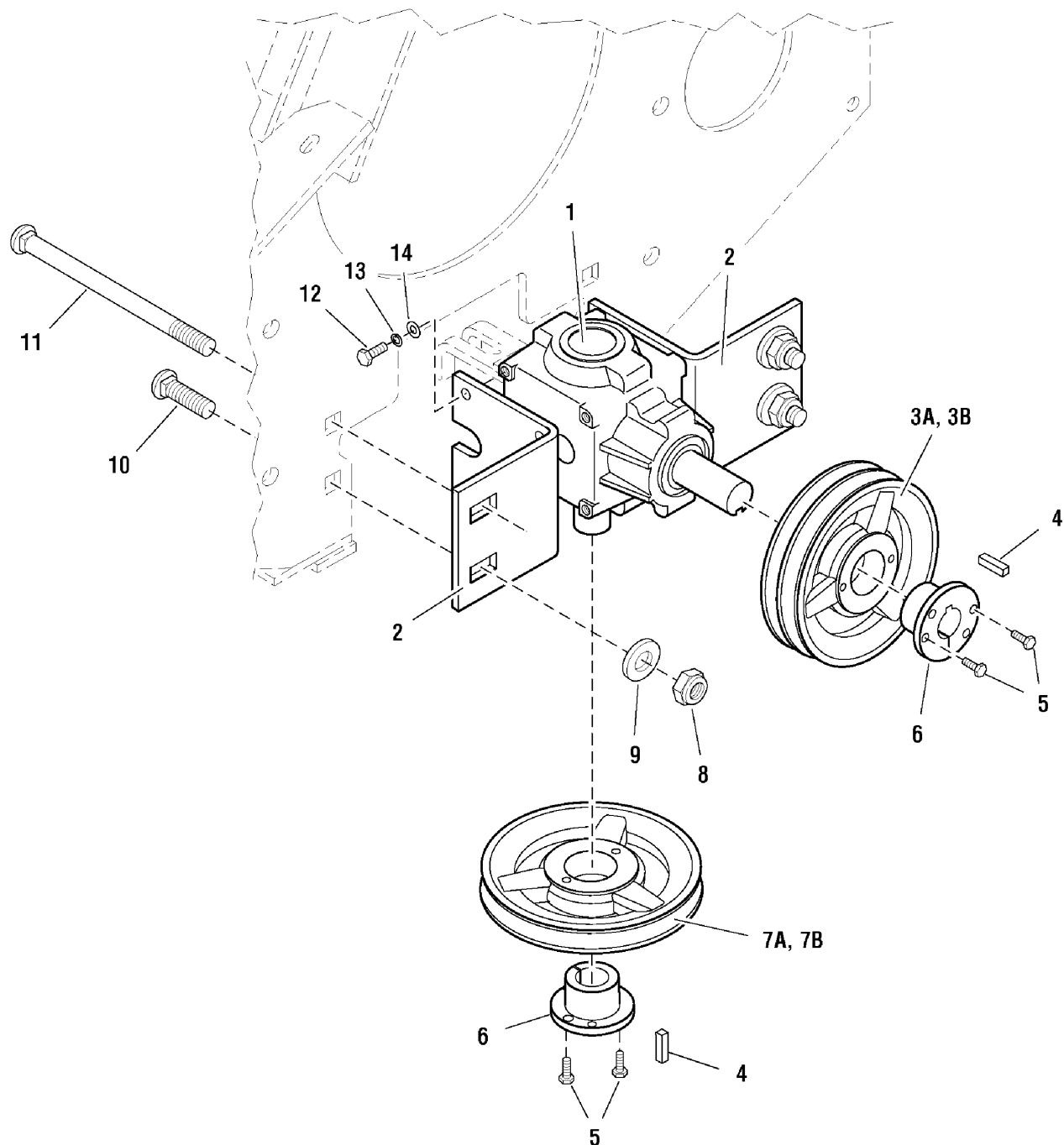
The above parts group applies to the following Mfg. Nos.:

5901070 (S/N: 1225 & below) (IS5000Z/C3)
5901074 (S/N: 1225 & below) (IS5000Z/C3)
5901071 (S/N: 1225 & below) (IS5000Z/C3)
5901073 (IS5000Z/D34)

Gearbox Mount Group

NOTE: Unless noted otherwise,
use the standard hardware torque
specification chart.

061GBX0



The above parts group applies to the following Mfg. Nos.:

5901070 (S/N: 1225 & below) (IS5000Z/C3)
5901074 (S/N: 1225 & below) (IS5000Z/C3)
5901071 (S/N: 1225 & below) (IS5000Z/C3)
5901073 (IS5000Z/D34)

Gearbox Mount Group

REF NO	PART NO.	QTY.	DESCRIPTION
1	5022378	1	GEARBOX
2	5046349B	2	GEARBOX MOUNT BRACKET
3A	5022908	1	PULLEY, Gearbox Input (Diesel model)
3B	5022384	1	PULLEY, Gearbox Input (Gas model)
4	5050407X1	2	KEY, 1/4 SQ. X 1
5	5025010X8	4	BOLT, 1/4-20 x 1
6	5020819	2	BUSHING, Tapered Hub
7A	5022794	1	PULLEY, Spindle (Diesel model)
7B	5020815	1	PULLEY, Spindle (Gas model)
8	5025038	3	NUT, 1/2-13 Hex
9	5044913	3	WASHER, Frame Retaining
10	25324-16	3	CARRIAGE BOLT, 1/2-13 x 2
11	5025334	1	CARRIAGE BOLT, 1/2-13 x 7
12	5025011X8	8	BOLT, 5/16-18 x 1
13	5025170	8	WASHER, 5/16" Lock
14	5025155	8	WASHER, 5/16" SAE

Footnotes

The above parts group applies to the following Mfg. Nos.:

5901070 (S/N: 1225 & below) (IS5000Z/C3)

5901074 (S/N: 1225 & below) (IS5000Z/C3)

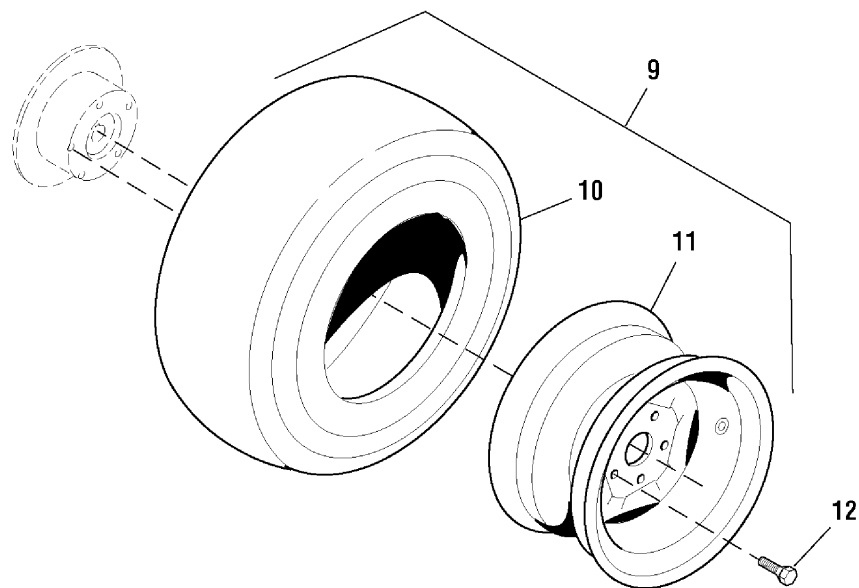
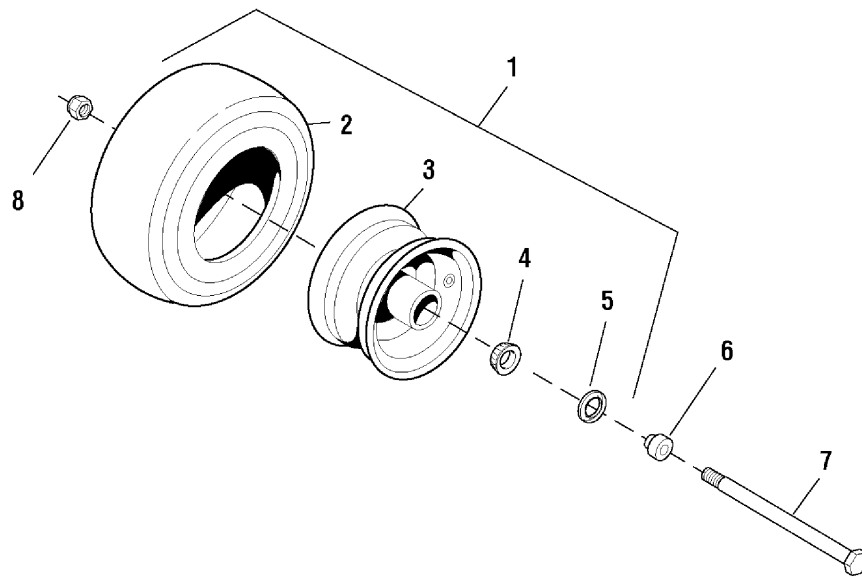
5901071 (S/N: 1225 & below) (IS5000Z/C3)

5901073 (IS5000Z/D34)

Wheels & Tires Group

061WHL0

NOTE: Unless noted otherwise,
use the standard hardware torque
specification chart.



The above parts group applies to the following Mfg. Nos.:

5901070 (S/N: 1225 & below) (IS5000Z/C3)
5901074 (S/N: 1225 & below) (IS5000Z/C3)
5901071 (S/N: 1225 & below) (IS5000Z/C3)
5901073 (IS5000Z/D34)

Wheels & Tires Group

REF NO	PART NO.	QTY.	DESCRIPTION
1	5023136	2	WHEEL & TIRE ASSEMBLY, 13 x 6.5 x 6, Complete (Includes Ref No. 2 - 5)
2	5022577	2	TIRE, Front, 13 x 6.5 x 6
3	5023136X1	2	WHEEL ASSEMBLY, for 13 x 6.5 x 6 Tires, Complete (Includes Ref No. 4 & 5)
4	5022631SX2	4	BEARING, Taper Roller (2 per tire)
5	5022631SX3	4	GREASE SEAL (2 per tire)
6	5047103	4	ADAPTER, Caster Wheel (2 per tire)
7	5025017X68	2	BOLT, 1/2-13 x 8-1/2
8	5025056	2	NUT, 1/2-13 Hex Nylon Lock
9	5023152	2	WHEEL & TIRE ASSEMBLY, 26 x 12 x 12, Complete (Includes Ref No. 10 & 11)
10	5023152X1	2	TIRE, Rear, 26 x 12 x 12
11	5023152X2	2	WHEEL ASSEMBLY, for 26 x 12 x 12 Tires
12	5022215	10	WHEEL LUG, 1/2 x 1-5/8

Footnotes

The above parts group applies to the following Mfg. Nos.:

5901070 (S/N: 1225 & below) (IS5000Z/C3)
5901074 (S/N: 1225 & below) (IS5000Z/C3)
5901071 (S/N: 1225 & below) (IS5000Z/C3)
5901073 (IS5000Z/D34)

Decal Group - Brand & Model

NOTE: Unless noted otherwise,
use the standard hardware torque
specification chart.

061DCLB



1 _____



2 _____



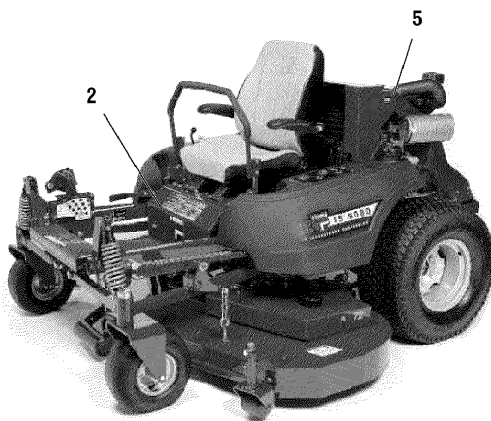
3 _____

First with Independent Suspension

4 _____

IS INDEPENDENT SUSPENSION

5 _____



The above parts group applies to the following Mfg. Nos.:

5901070 (S/N: 1225 & below) (IS5000Z/C3)
5901074 (S/N: 1225 & below) (IS5000Z/C3)
5901071 (S/N: 1225 & below) (IS5000Z/C3)
5901073 (IS5000Z/D34)

Decal Group - Brand & Model

REF NO	PART NO.	QTY.	DESCRIPTION
1	5022227	1	DECAL, Ferris Logo, 6-3/8"
2	5022556	1	DECAL, Ferris Logo, 5"
3	5022239	1	DECAL, First w/ Independent Suspension
4	5022555	1	DECAL, IS Independent Suspension
5	5022929	2	DECAL, CAT Diesel Power

Footnotes

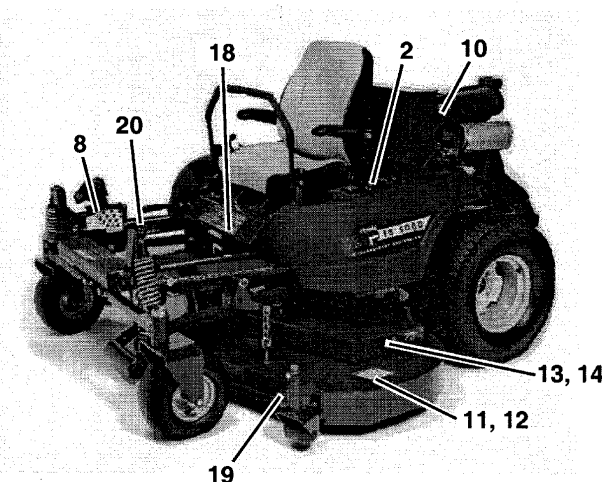
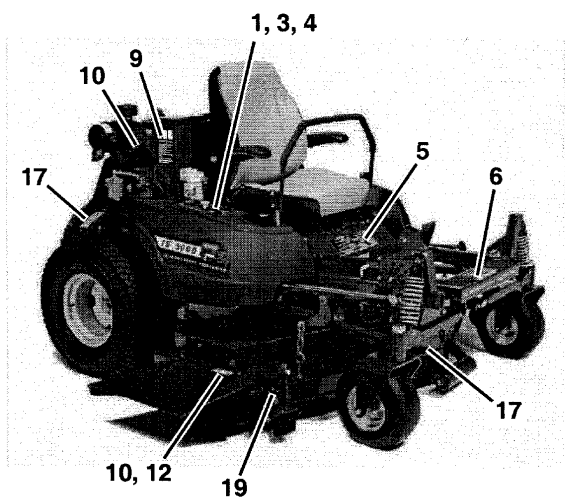
The above parts group applies to the following Mfg. Nos.:

5901070 (S/N: 1225 & below) (IS5000Z/C3)
5901074 (S/N: 1225 & below) (IS5000Z/C3)
5901071 (S/N: 1225 & below) (IS5000Z/C3)
5901073 (IS5000Z/D34)

Decal Group - Safety & Operation - North American Models

NOTE: Unless noted otherwise, use the standard hardware torque specification chart.

061DCL5



1 —

2 —

3 —

4 —

5 —

6 —

7 —

8 —

9 —

10 —

11 —

12 —

13 — **61" 72"**

14 —

15 —

16 —

17 —

Old Version

17 —

New Version

18 —

19 —

The above parts group applies to the following Mfg. Nos.:
 5901070 (S/N: 1225 & below) (IS5000Z/C3)
 5901073 (IS5000Z/D34)

Decal Group - Safety & Operation - North American Models

REF NO	PART NO.	QTY.	DESCRIPTION
1	5047541	1	DECAL, Instrument Panel (Diesel model only - S/N: 880 & below)
2	5046348	1	DECAL, Gauge Panel (Gas model, All / Diesel model, S/N: 880 & below)
3	5046601	1	DECAL, Control Panel-RH (Gas model)
4	5049200	1	DECAL, Control Panel (Diesel model only, S/N: 881 & above)
5	5047540	1	DECAL, Instruction/Safety
6	5045559	1	DECAL, Operation
7	5045923	1	DECAL, Oil Reservoir
8	5022063	1	DECAL, Deck Height
9	5047696	1	DECAL, Priming Instructions (Diesel model only)
10	1704277	1	DECAL, Danger (Chute In Place)
11	1704276	1	DECAL, Danger (Hand Under Deck)
12	1720389	2	DECAL, Warning, Mower
13	5022813	1	DECAL, 61"
14	5022814	1	DECAL, 72"
15	5047554	1	DECAL, Fuse Location (Diesel model)
16	5047961	1	DECAL, Fuse Location (Gas model)
17	5020337	2	DECAL, Warning
18	5022402	1	DECAL, Fuel Valve (Gas model only)
19	5021036	2	DECAL, Grease Daily
20	-	1	Model/Serial Number Tag (Not a serviceable part)

Footnotes

The above parts group applies to the following Mfg. Nos.:

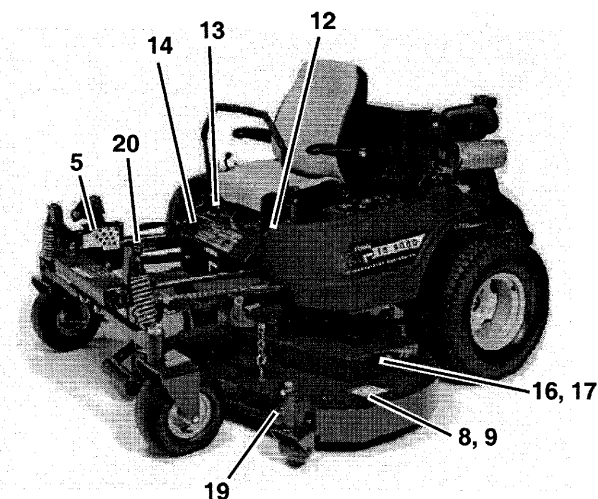
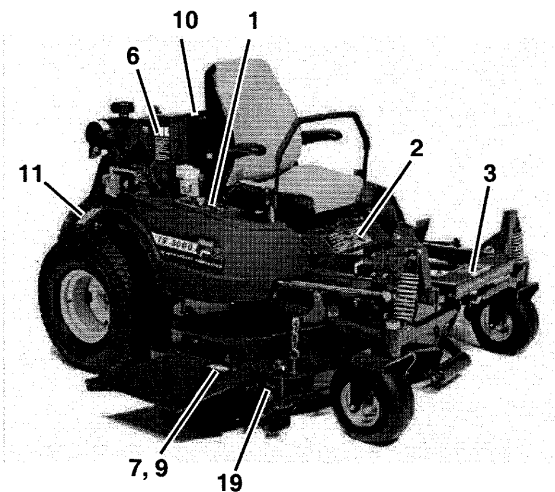
5901070 (S/N: 1225 & below) (IS5000Z/C3)

5901073 (IS5000Z/D34)

Decal Group - Safety & Operation - CE Models

061DCL51

NOTE: Unless noted otherwise, use the standard hardware torque specification chart.



- 1
- 2
- 3
- 4
- 5
- 6
- 7
- 8
- 9
- 10
- 11
- 12
- 13
- 14
- 15
- 16
- 17
- 18
- 19

The above parts group applies to the following Mfg. Nos.:

5901074 (S/N: 1225 & below) (IS5000Z/C3)

5901071 (S/N: 1225 & below) (IS5000Z/C3)

Decal Group - Safety & Operation - CE Models

REF NO	PART NO.	QTY.	DESCRIPTION
1	5049200	1	DECAL, Control Panel
2	1723175	1	DECAL, Warning, Main
3	5045559	1	DECAL, Operation
4	5045923	1	DECAL, Oil Reservoir
5	5022063	1	DECAL, Deck Height
6	5047696	1	DECAL, Priming Instructions
7	1704277	1	DECAL, Danger (Chute In Place)
8	1704276	1	DECAL, Danger (Hand Under Deck)
9	1720389	2	DECAL, Warning, Mower
10	1704473	1	DECAL, Hot Surface
11	5061042	1	DECAL, Warning, Hand In Belt
12	1725671	1	DECAL, Ground Speed, LH
13	1725670	1	DECAL, Ground Speed, RH
14	1725669	1	DECAL, Parking Brake
15	1725941	1	DECAL, CZT Hydro Release
16	5022813	1	DECAL, 61"
17	5022814	1	DECAL, 72"
18	5047554	1	DECAL, Fuse Location
19	5021036	2	DECAL, Grease Daily
20	-	1	Model/Serial Number Tag (Not a serviceable part)
21	-	1	DECAL, 105dB (Export models only) (Not a serviceable part)

Footnotes

The above parts group applies to the following Mfg. Nos.:

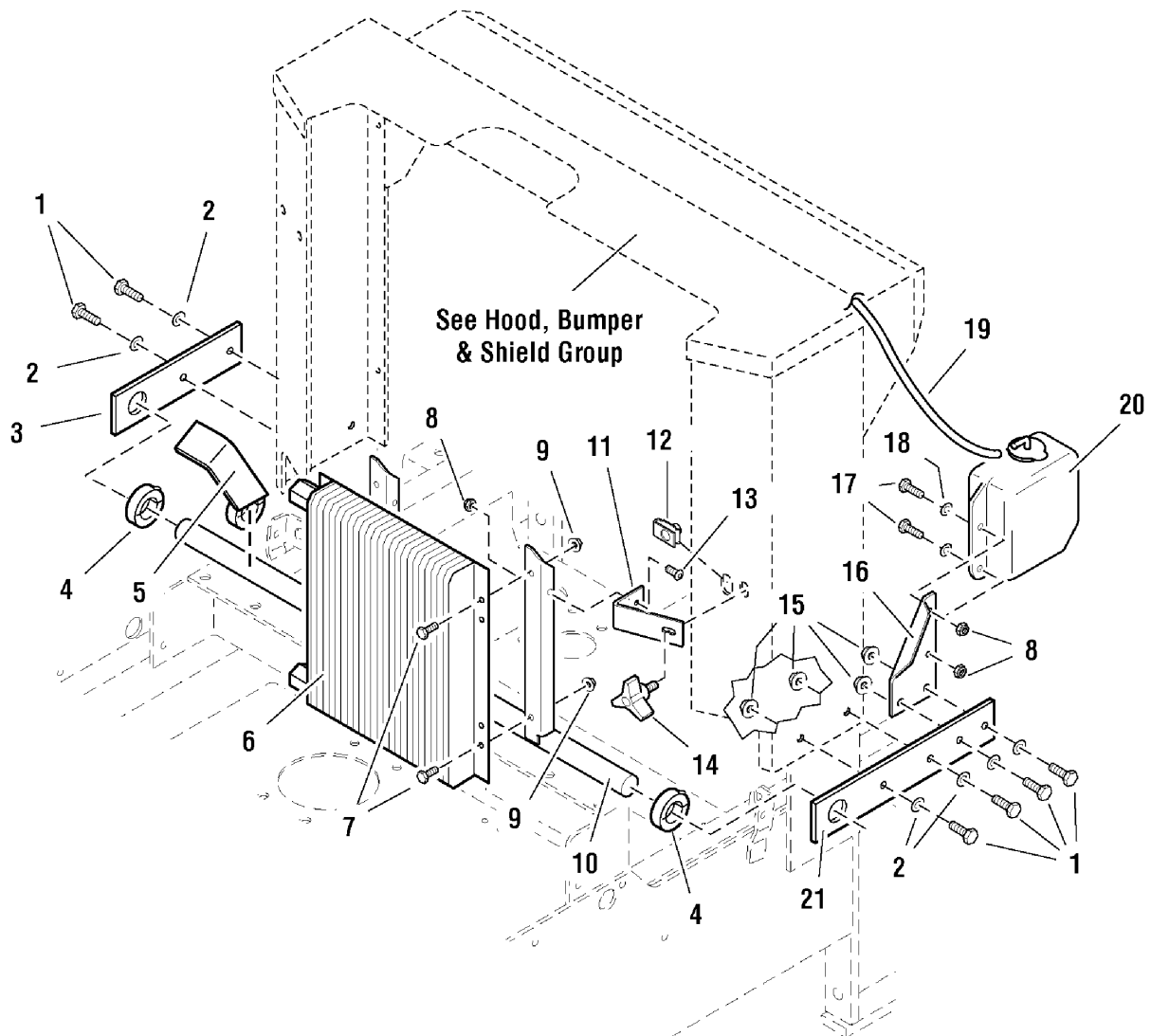
5901074 (S/N: 1225 & below) (IS5000Z/C3)

5901071 (S/N: 1225 & below) (IS5000Z/C3)

Oil Cooler Mount Group (Early Models)

061CLR0

NOTE: Unless noted otherwise,
use the standard hardware torque
specification chart.



The above parts group applies to the following Mfg. Nos.:

5901070 (S/N: 1225 & below) (IS5000Z/C3)

Oil Cooler Mount Group (Early Models)

REF NO	PART NO.	QTY.	DESCRIPTION
1	5025011X8	6	BOLT, 5/16-18 x 1
2	5025156	4	WASHER, 3/8" SAE
3	5047564B	1	OIL COOLER PIVOT PLATE
4	5020602	2	COLLAR, 1" Split
5	5047547B	1	SEAT MOUNT STOP
6	5022377	1	OIL COOLER
7	25010-4	4	BOLT, 1/4-20 x 1/2
8	5025095	1	NUT, 1/4-20 Hex Nylon Lock
9	5025126	4	NUT, 1/4-20 Hex Serrated Flange
10	5047570B	1	OIL COOLER MOUNT
11	5047566B	1	COOLER MOUNT ANCHOR
12	5022308	1	BODY CLIP, 5/16-18
13	5025299X6	1	SCREW, Allen Head, 1/4-20 x 3/4
14	5022319	1	KNOB
15	5025139	6	NUT, 5/16-18 Hex Large Serrated Flange
16	5047739B	1	TANK MOUNT BRACKET
17	5025010X8	2	BOLT, 1/4-20 x 1
18	5025154	2	WASHER, 1/4" SAE
19	5050923X36	1	HOSE, 36"
20	5022883X34	1	EXPANSION TANK, Complete
20	5022883X35	1	CAP
21	5047738B	1	OIL COOLER MOUNT PLATE-LH

Footnotes

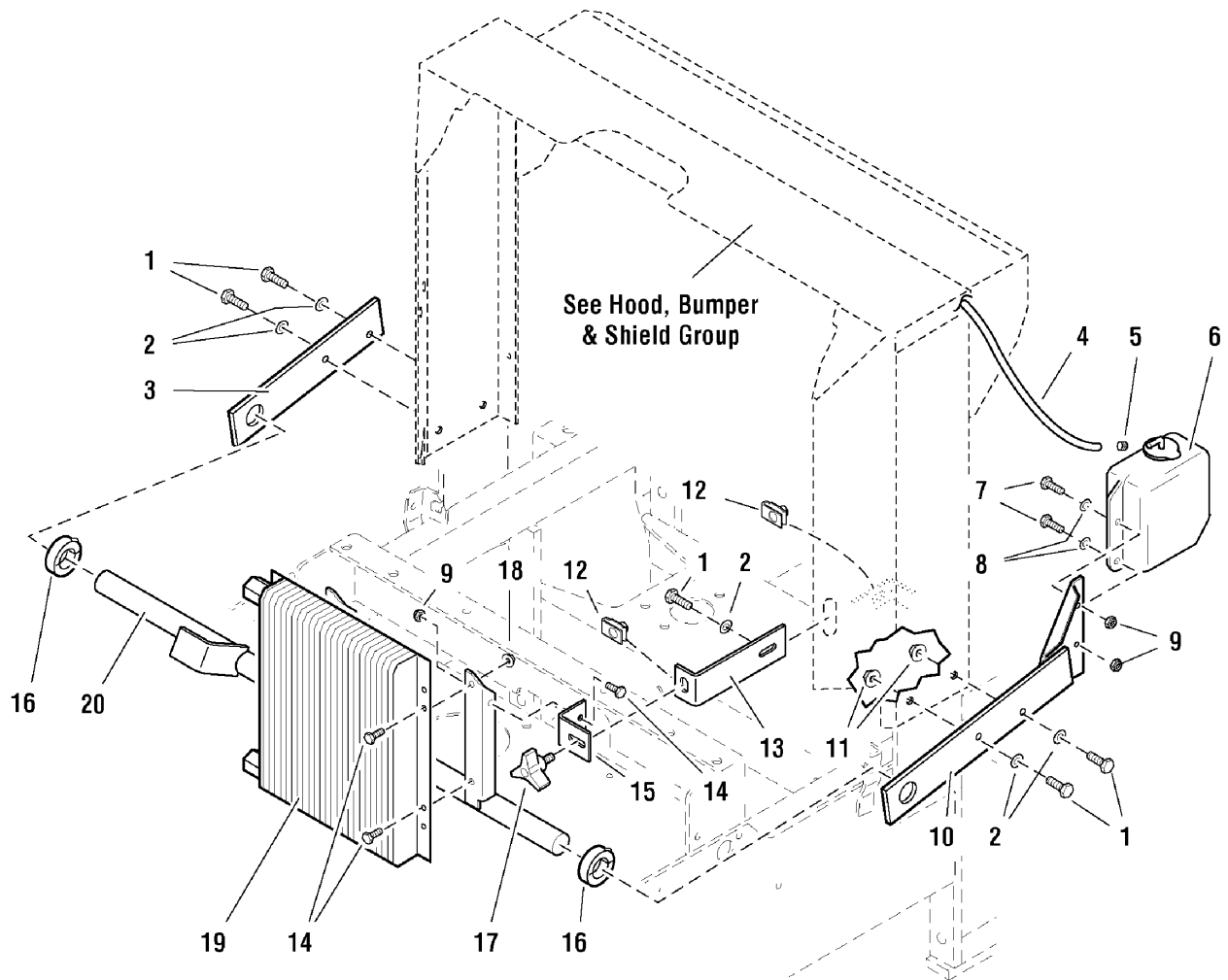
The above parts group applies to the following Mfg. Nos.:

5901070 (S/N: 1225 & below) (IS5000Z/C3)

Oil Cooler Mount Group (Later Models)

NOTE: Unless noted otherwise,
use the standard hardware torque
specification chart.

061CLR1



The above parts group applies to the following Mfg. Nos.:

5901070 (S/N: 1225 & below) (IS5000Z/C3)

5901074 (S/N: 1225 & below) (IS5000Z/C3)

5901071 (S/N: 1225 & below) (IS5000Z/C3)

Oil Cooler Mount Group (Later Models)

REF NO	PART NO.	QTY.	DESCRIPTION
1	5025011X8	5	BOLT, 5/16-18 x 1
2	5025156	5	WASHER, 3/8" SAE
3	5048577B	1	OIL COOLER PIVOT PLATE
4	48582	1	OVERFLOW HOSE
5	5020835	1	CLAMP, Hose
6	5022883X34	1	EXPANSION TANK, Complete
6	5022883X35	1	CAP
7	5025010X8	2	BOLT, 1/4-20 x 1
8	5025154	2	WASHER, 1/4" SAE
9	5025095	3	NUT, 1/4-20 Hex Nylon Lock
10	5048570B	1	OIL COOLER MOUNT PLATE-LH
11	5025139	4	NUT, 5/16-18 Hex Large Serrated Flange
12	5022308	2	BODY CLIP, 5/16-18
13	5048580B	1	COOLER PIVOT ANCHOR
14	5025299X4	5	SCREW, Allen Head, 1/4-20 x 1/2
15	5048581B	1	COOLER LOCK BRACKET
16	5020602	2	COLLAR, 1" Split
17	5022319	1	KNOB
18	5025126	4	NUT, 1/4-20 Hex Serrated Flange
19	5022377	1	OIL COOLER
20	5048562B	1	OIL COOLER MOUNT

Footnotes

The above parts group applies to the following Mfg. Nos.:

5901070 (S/N: 1225 & below) (IS5000Z/C3)

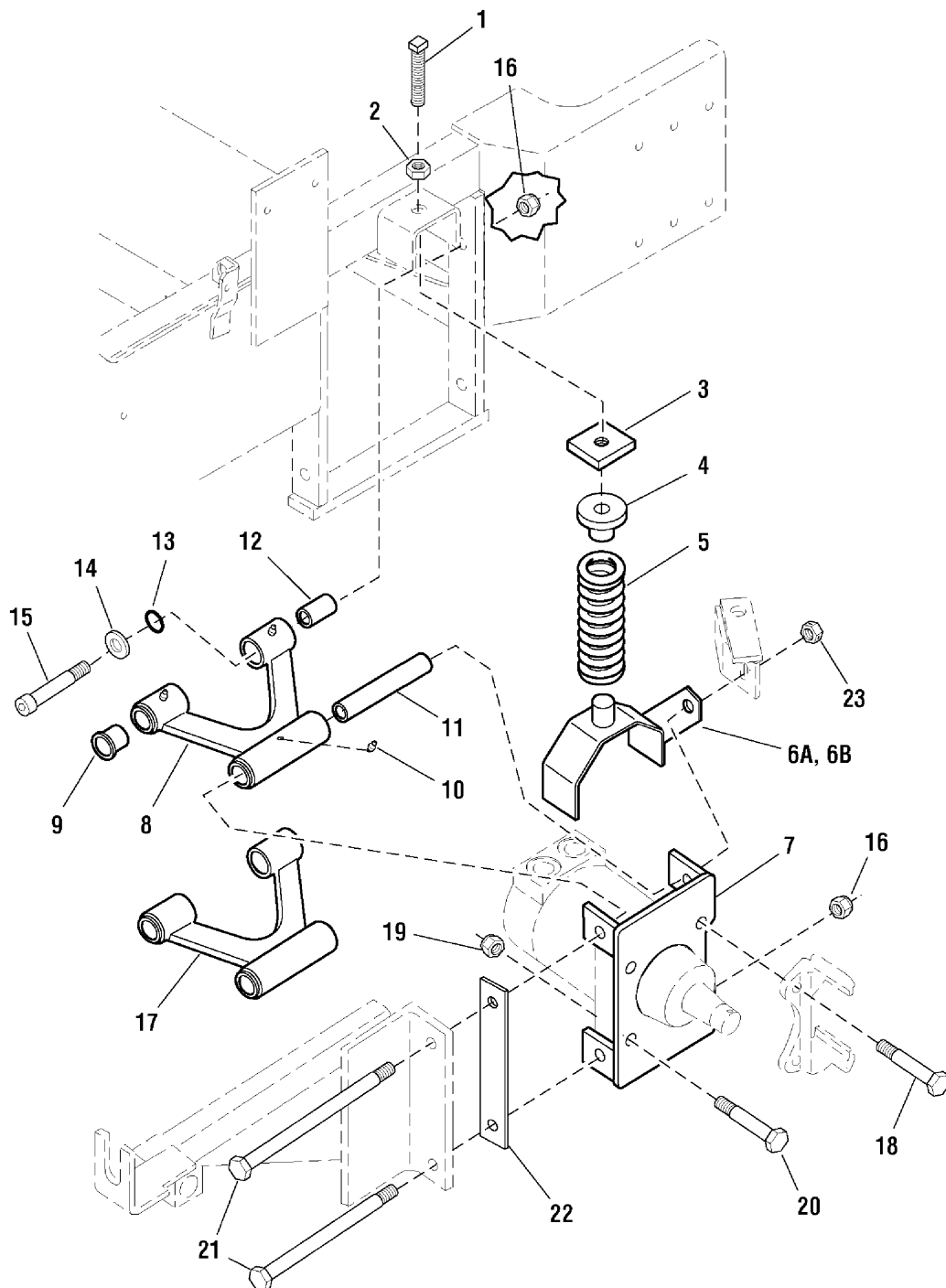
5901074 (S/N: 1225 & below) (IS5000Z/C3)

5901071 (S/N: 1225 & below) (IS5000Z/C3)

Suspension Group - Rear

NOTE: Unless noted otherwise,
use the standard hardware torque
specification chart.

061SUS0



The above parts group applies to the following Mfg. Nos.:

5901070 (S/N: 1225 & below) (IS5000Z/C3)
5901074 (S/N: 1225 & below) (IS5000Z/C3)
5901071 (S/N: 1225 & below) (IS5000Z/C3)
5901073 (IS5000Z/D34)

Suspension Group - Rear

REF NO	PART NO.	QTY.	DESCRIPTION
1	5025298	2	SET SCREW, Square Head, 1/2-13 x 3
2	5025301	2	NUT, 1/2-13 Hex Jam
3	5045904	2	SPRING COMPRESSION PLATE
4	5045898	2	SPRING RETAINER
5	5022323	2	SPRING, Suspension
6A	5045601B	1	SPRING SADDLE-LH
6B	5045602B	1	SPRING SADDLE-RH (Not Shown)
7	5045588B	2	WHEEL MOTOR MOUNT
8	5061038	2	SUSPENSION A-ARM, Upper, Complete (Includes Ref No. 9 & 10)
9	5022250	16	BUSHING, Flange
10	5020095	12	GREASE FITTING
11	5045305	4	PIVOT SLEEVE, Long
12	5045306	8	PIVOT SLEEVE, Short
13	5022269	8	O-RING
14	5045307	8	WASHER, A-Arm
15	5025294	8	BOLT, Allen Head, 1/2-13 x 3
16	5025056	10	NUT, 1/2-13 Hex Nylon Lock
17	5046857	2	SUSPENSION A-ARM, Lower, Complete (Includes Ref No. 9 & 10)
18	5025018X24	4	BOLT, 1/2-20 x 3
19	5025098	8	NUT, 1/2-20 Hex Nylon Lock
20	5025018X20	4	BOLT, 1/2-20 x 2-1/2
21	5025017X52	4	BOLT, 1/2-13 x 6-1/2
22	5046059B	2	SPACER PLATE
23	5025332	2	NUT, 1/2-13 Hex Side Lock

Footnotes

The above parts group applies to the following Mfg. Nos.:

5901070 (S/N: 1225 & below) (IS5000Z/C3)

5901074 (S/N: 1225 & below) (IS5000Z/C3)

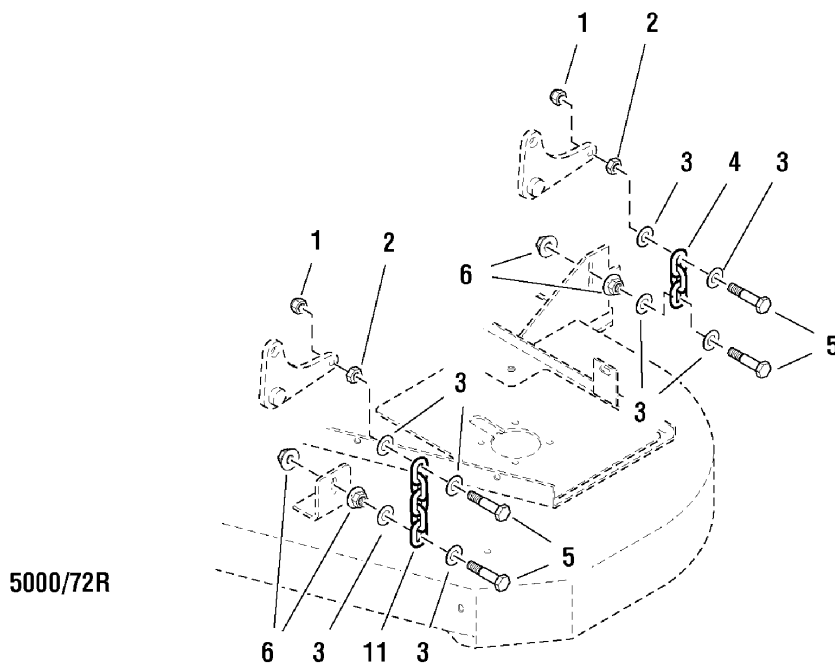
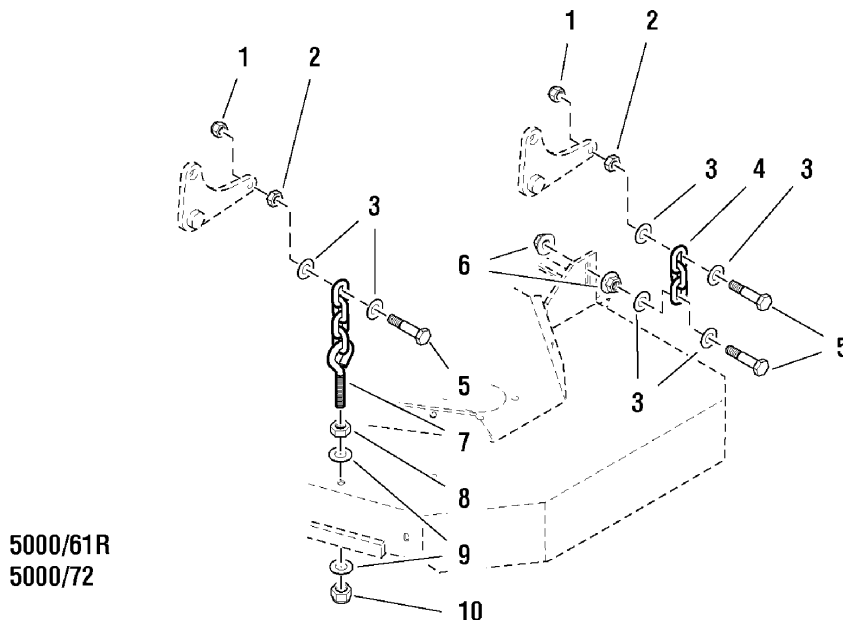
5901071 (S/N: 1225 & below) (IS5000Z/C3)

5901073 (IS5000Z/D34)

61" & 72" Mower Deck - Hanger Chains

NOTE: Unless noted otherwise,
use the standard hardware torque
specification chart.

0616CH0



The above parts group applies to the following Mfg. Nos.:

5900201 (S/N: 1209 & below) (5000/61R)

5900203 (S/N: 1209 & below) (5000/72)

5900204 (S/N: 1209 & below) (5000/72R)

61" & 72" Mower Deck - Hanger Chains

REF NO	PART NO.	QTY.	DESCRIPTION
1	5025096	4	NUT, 3/8-16 Hex Nylon Lock
2	5025084	4	NUT, 3/8-16 Hex Jam
3	5025156	12	WASHER, 3/8" SAE
4	5050878X3	2	CHAIN, 3 LINKS
5	5025013X14	6	BOLT, 3/8-16 x 1-3/4
6	5025128	4	NUT, 3/8-16 Hex Serrated Flange
7	5045026	2	FRONT DECK HANGER
8	5025038	2	NUT, 1/2-13 Hex
9	5025158	4	WASHER, 1/2" SAE
10	5025056	2	NUT, 1/2-13 Hex Nylon Lock
11	5050878X5	2	CHAIN, 5 LINKS

Footnotes

The above parts group applies to the following Mfg. Nos.:

5900201 (S/N: 1209 & below) (5000/61R)

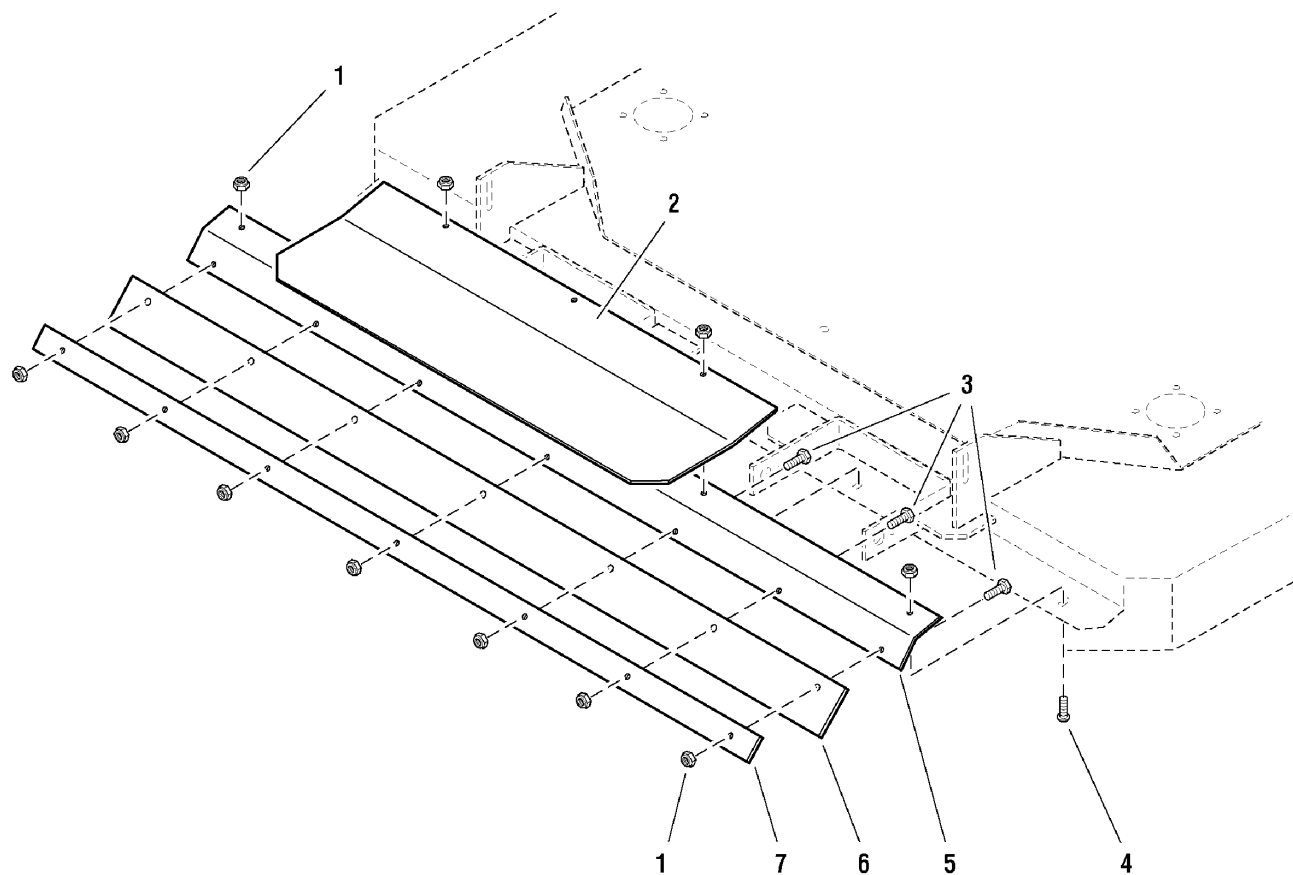
5900203 (S/N: 1209 & below) (5000/72)

5900204 (S/N: 1209 & below) (5000/72R)

61" Mower Deck - Deflector & Shield - Rear Discharge

0616DS0

NOTE: Unless noted otherwise,
use the standard hardware torque
specification chart.



The above parts group applies to the following Mfg. Nos.:

5900201 (S/N: 1209 & below) (5000/61R)

61" Mower Deck - Deflector & Shield - Rear Discharge

REF NO	PART NO.	QTY.	DESCRIPTION
1	5025057	11	NUT, 5/16-18 Hex Nylon Lock
2	5048418B	1	SHIELD
3	5025011X8	7	BOLT, 5/16-18 x 1
4	5025145X8	4	CARRIAGE BOLT, 5/16-18 x 1
5	5048244B	1	DEFECTOR MOUNT
6	5048243	1	RUBBER DEFLECTOR
7	5048245B	1	RETAINING PLATE

Footnotes

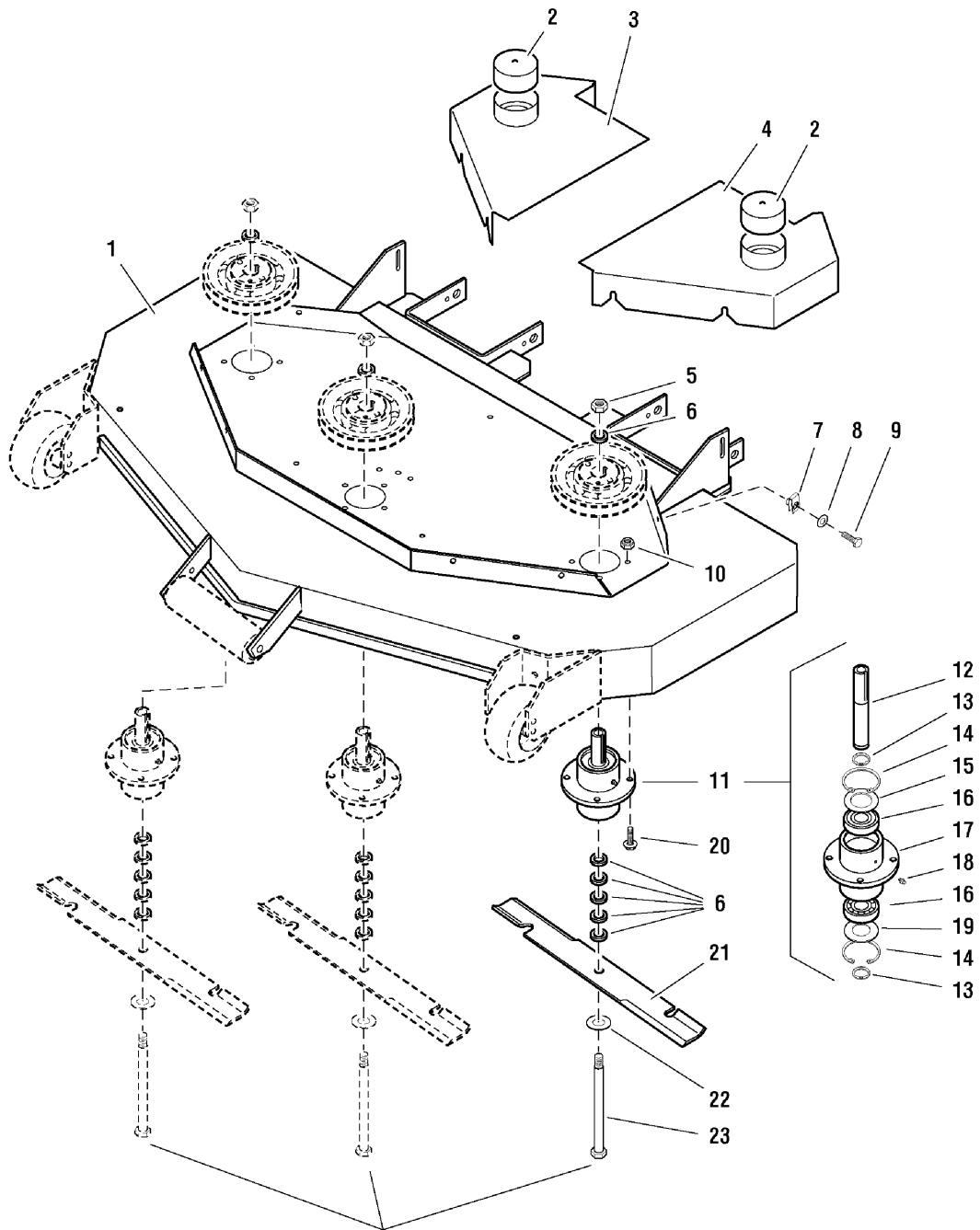
The above parts group applies to the following Mfg. Nos.:

5900201 (S/N: 1209 & below) (5000/61R)

61" Mower Deck - Housing, Covers, Spindles & Blades - Rear Discharge

0616HCR0

NOTE: Unless noted otherwise,
use the standard hardware torque
specification chart.



Torque Capscrews
to 70 Ft. Lbs.
(95 Nm)

The above parts group applies to the following Mfg. Nos.:

5900201 (S/N: 1209 & below) (5000/61R)

61" Mower Deck - Housing, Covers, Spindles & Blades - Rear Discharge

REF NO	PART NO.	QTY.	DESCRIPTION
1	6648314	1	61" RD MOWER HOUSING ASSEMBLY (Includes safety decals)
2	5021674	2	VINYL CAP
3	5048422B	1	DECK SHIELD - RH
4	5048423B	1	DECK SHIELD - LH
5	5025040	3	NUT, 5/8-11 Hex
6	5041477	18	SPACER, .63 x 1.06 x .23
7	5022308	6	BODY CLIP, 5/16-18
8	5025155	6	WASHER, 5/16" SAE
9	5025011X6	6	BOLT, 5/16-18 x 3/4
10	5025057	12	NUT, 5/16-18 Hex Nylon Lock
11	5030301	3	SPINDLE ASSEMBLY, Complete
12	5041480	3	SPINDLE SHAFT
13	5020864	6	SNAP RING, External
14	5020866	6	SNAP RING, Internal
15	5041653	3	SPINDLE WASHER, Top
16	5020828	6	BEARING
17	5030293	3	SPINDLE HOUSING
18	5020095	3	GREASE FITTING
19	5041672	3	SPINDLE WASHER, Bottom
20	5023156	12	BOLT, Flange Head, 5/16-18 x 1-1/4
21	5023272	3	MOWER BLADE, SAND, 21" (Applies to CE model only)
22	5025159	3	WASHER, 5/8" USS
23	5025019X76	3	BOLT, 5/8-11 x 9-1/2

Footnotes

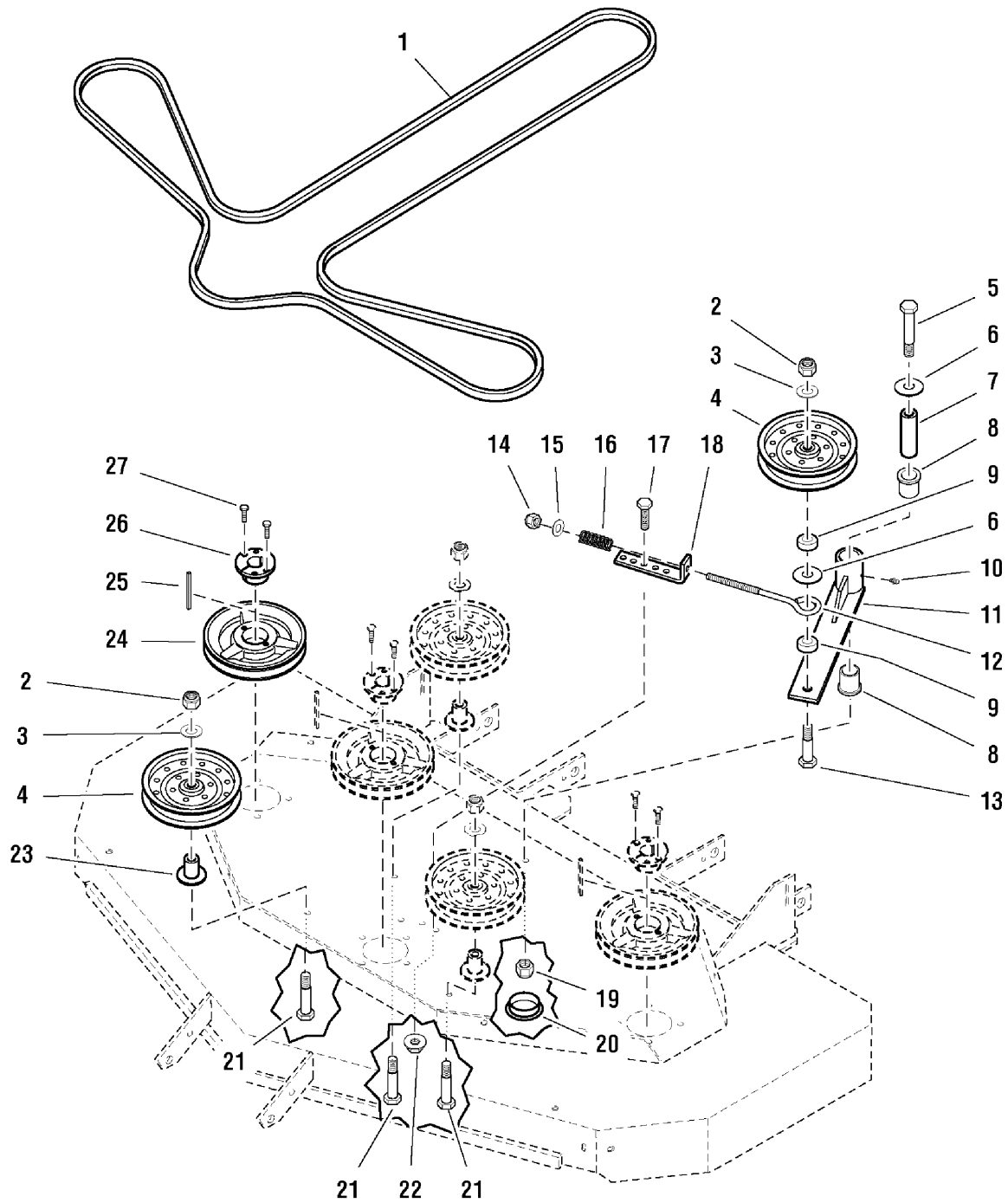
The above parts group applies to the following Mfg. Nos.:

5900201 (S/N: 1209 & below) (5000/61R)

61" Mower Deck - Pulleys, Belt & Idler Arm - Rear Discharge

0616PBR0

NOTE: Unless noted otherwise,
use the standard hardware torque
specification chart.



The above parts group applies to the following Mfg. Nos.:
5900201 (S/N: 1209 & below) (5000/61R)

61" Mower Deck - Pulleys, Belt & Idler Arm - Rear Discharge

REF NO	PART NO.	QTY.	DESCRIPTION
1	5023123	1	BELT
2	5025098	2	NUT, 1/2-20 Hex Nylon Lock
3	5025158	4	WASHER, 1/2" SAE
4	5021976	4	PULLEY, Idler
5	5025017X36	1	BOLT, 1/2-13 x 4-1/2
6	5025150	2	WASHER, 1/2" USS
7	5045022	1	SPACER, .52 x 1.00 x 3.50
8	5021541	2	BUSHING, Flange
9	5045023	2	SPACER, .52 x 1.00 x .44
10	5020095	1	GREASE FITTING
11	5045019B	1	IDLER ARM
12	5021811	1	EYEBOLT, 3/8" x 8"
13	5025018X24	1	BOLT, 1/2-20 x 3
14	5025096	1	NUT, 3/8-16 Hex Nylon Lock
15	5025156	1	WASHER, 3/8" SAE
16	5022788	1	SPRING, Compression
17	5025013X8	1	BOLT, 3/8-16 x 1
18	5046556B	1	SPRING ANCHOR
19	5025056	1	NUT, 1/2-13 Hex Nylon Lock
20	5022800	1	HOLE PLUG
21	5025018X28	3	BOLT, 1/2-20 x 3-1/2
22	5025128	1	NUT, 3/8-16 Hex Serrated Flange
23	5045024B	3	IDLER PULLEY MOUNT
24	5020815	3	PULLEY, Spindle
25	5050407X9	3	KEY, 1/4 SQ. X 2-1/2
26	5020819	3	BUSHING, Tapered Hub
27	5025010X8	6	BOLT, 1/4-20 x 1

Footnotes

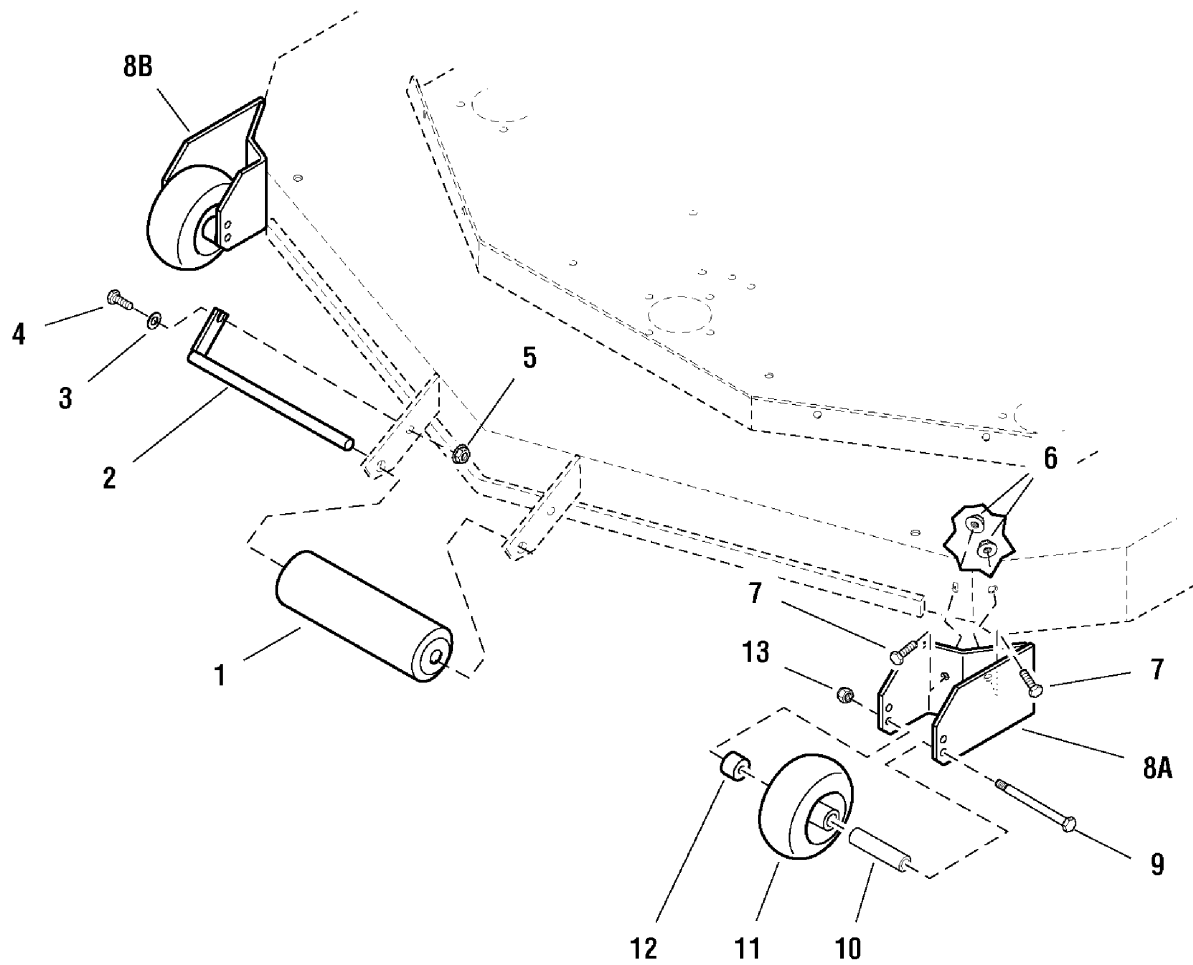
The above parts group applies to the following Mfg. Nos.:

5900201 (S/N: 1209 & below) (5000/61R)

61" Mower Deck - Rollers & Casters - Rear Discharge

0616RLR0

NOTE: Unless noted otherwise,
use the standard hardware torque
specification chart.



The above parts group applies to the following Mfg. Nos.:
5900201 (S/N: 1209 & below) (5000/61R)

61" Mower Deck - Rollers & Casters - Rear Discharge

REF NO	PART NO.	QTY.	DESCRIPTION
1	5020785	1	ROLLER
2	5041653	1	SPINDLE WASHER, Top
3	5025155	1	WASHER, 5/16" SAE
4	5025011X8	1	BOLT, 5/16-18 x 1
5	5025139	1	NUT, 5/16-18 Hex Large Serrated Flange
6	5025128	4	NUT, 3/8-16 Hex Serrated Flange
7	5025013X8	4	BOLT, 3/8-16 x 1
8A	5048537B	1	CASTER MOUNT-LH
8B	5048536B	1	CASTER MOUNT-RH
9	5025013X36	2	BOLT, 3/8-16 x 4-1/2
10	5045992	2	SPACER, .39 x .63 x 2.56
11	1716353	2	GAUGE WHEEL
12	5046446	2	SPACER, .39 x 1.00 x .79
13	5025096	2	NUT, 3/8-16 Hex Nylon Lock

Footnotes

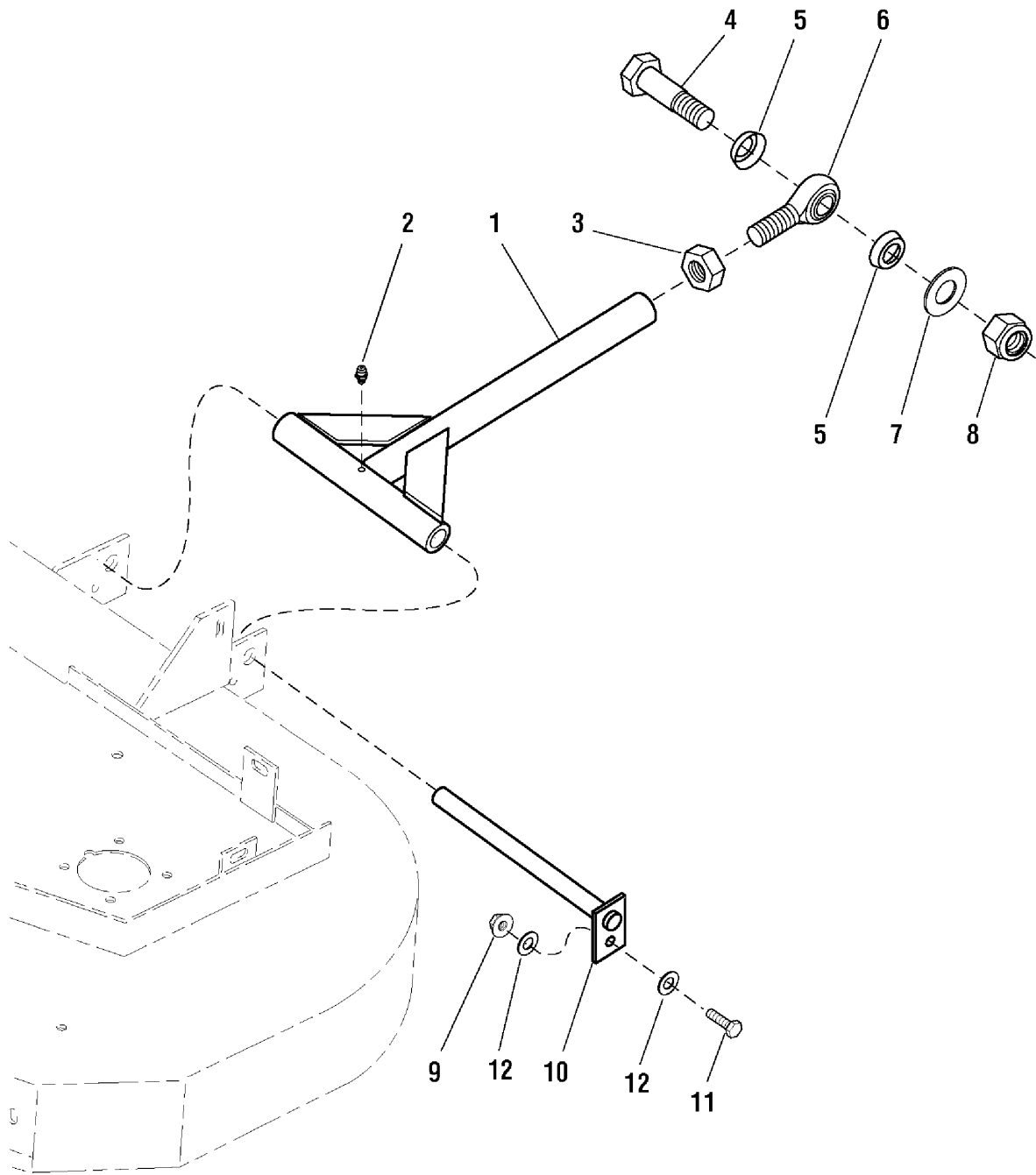
The above parts group applies to the following Mfg. Nos.:

5900201 (S/N: 1209 & below) (5000/61R)

61" & 72" Mower Deck - Rear Mount Bars

0616RM0

NOTE: Unless noted otherwise,
use the standard hardware torque
specification chart.



The above parts group applies to the following Mfg. Nos.:

5900201 (S/N: 1209 & below) (5000/61R)

5900203 (S/N: 1209 & below) (5000/72)

5900204 (S/N: 1209 & below) (5000/72R)

61" & 72" Mower Deck - Rear Mount Bars

REF NO	PART NO.	QTY.	DESCRIPTION
1	5045009	2	DECK PUSHER BAR, Complete
2	5020095	2	GREASE FITTING
3	5025093	2	NUT, 3/4-16 Hex Jam
4	5025265X24	2	BOLT, 3/4-16 x 3
5	5022111	4	ROD END SEAL
6	5022039	2	BALL JOINT, 3/4-16 Male
7	5025160	2	WASHER, 3/4" SAE
8	5025284	2	NUT, 3/4-16 Hex Nylon Lock
9	5025096	2	NUT, 3/8-16 Hex Nylon Lock
10	5045037B	2	PUSHER BAR MOUNT PIN
11	5025013X10	2	BOLT, 3/8-16 x 1-1/4
12	5025156	4	WASHER, 3/8" SAE

Footnotes

The above parts group applies to the following Mfg. Nos.:

5900201 (S/N: 1209 & below) (5000/61R)

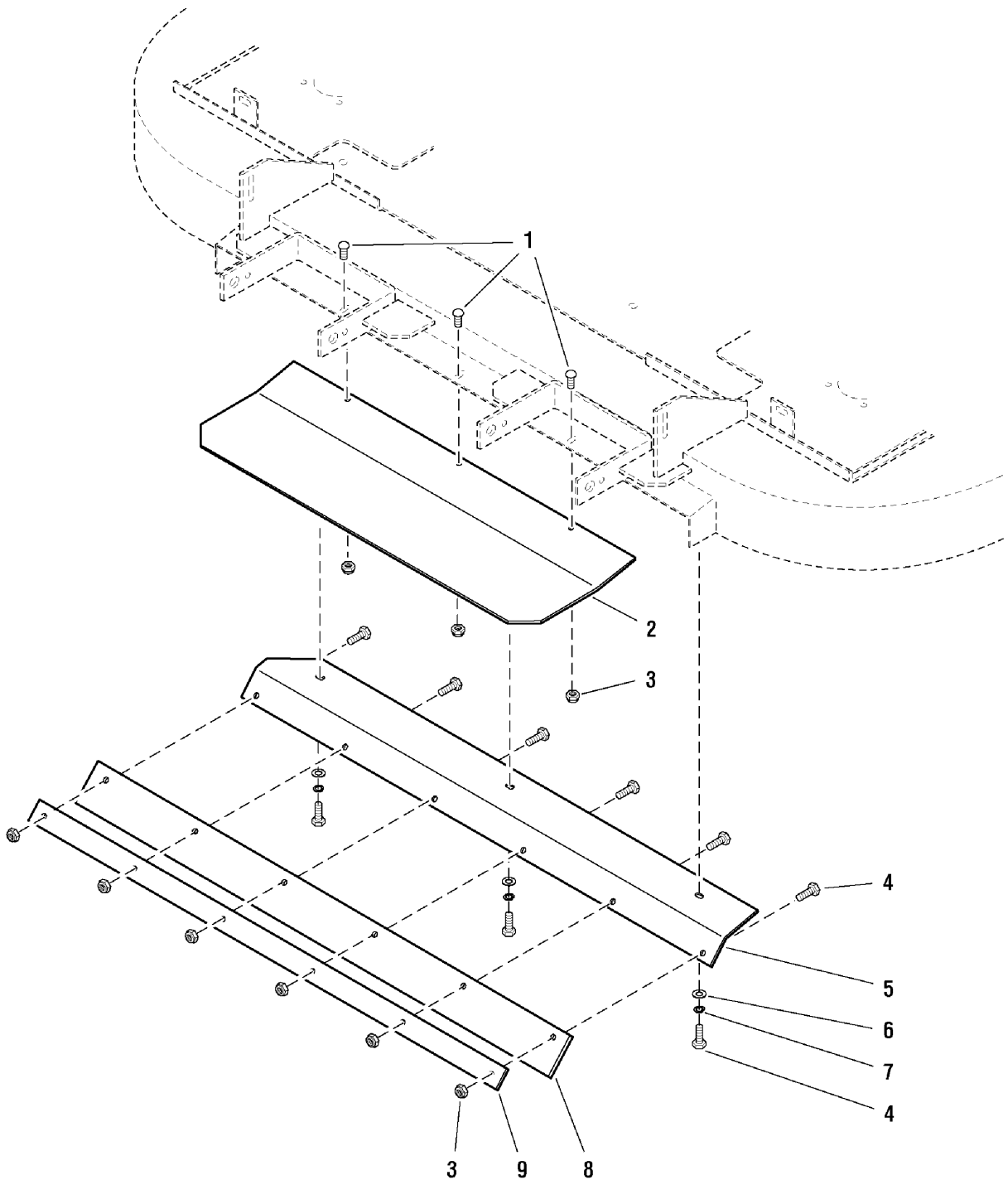
5900203 (S/N: 1209 & below) (5000/72)

5900204 (S/N: 1209 & below) (5000/72R)

72" Mower Deck - Deflector & Shield - Rear Discharge

0617DS0

NOTE: Unless noted otherwise,
use the standard hardware torque
specification chart.



The above parts group applies to the following Mfg. Nos.:

5900204 (S/N: 1209 & below) (5000/72R)

72" Mower Deck - Deflector & Shield - Rear Discharge

REF NO	PART NO.	QTY.	DESCRIPTION
1	5025145X6	3	CARRIAGE BOLT, 5/16-18 x 3/4
2	5048418B	1	SHIELD
3	5025057	7	NUT, 5/16-18 Hex Nylon Lock
4	5025011X8	7	BOLT, 5/16-18 x 1
5	5048469B	1	DEFLECTOR MOUNT
6	5025155	3	WASHER, 5/16" SAE
7	5025170	3	WASHER, 5/16" Lock
8	5048470	1	RUBBER DEFLECTOR
9	5048471B	1	RETAINING PLATE

Footnotes

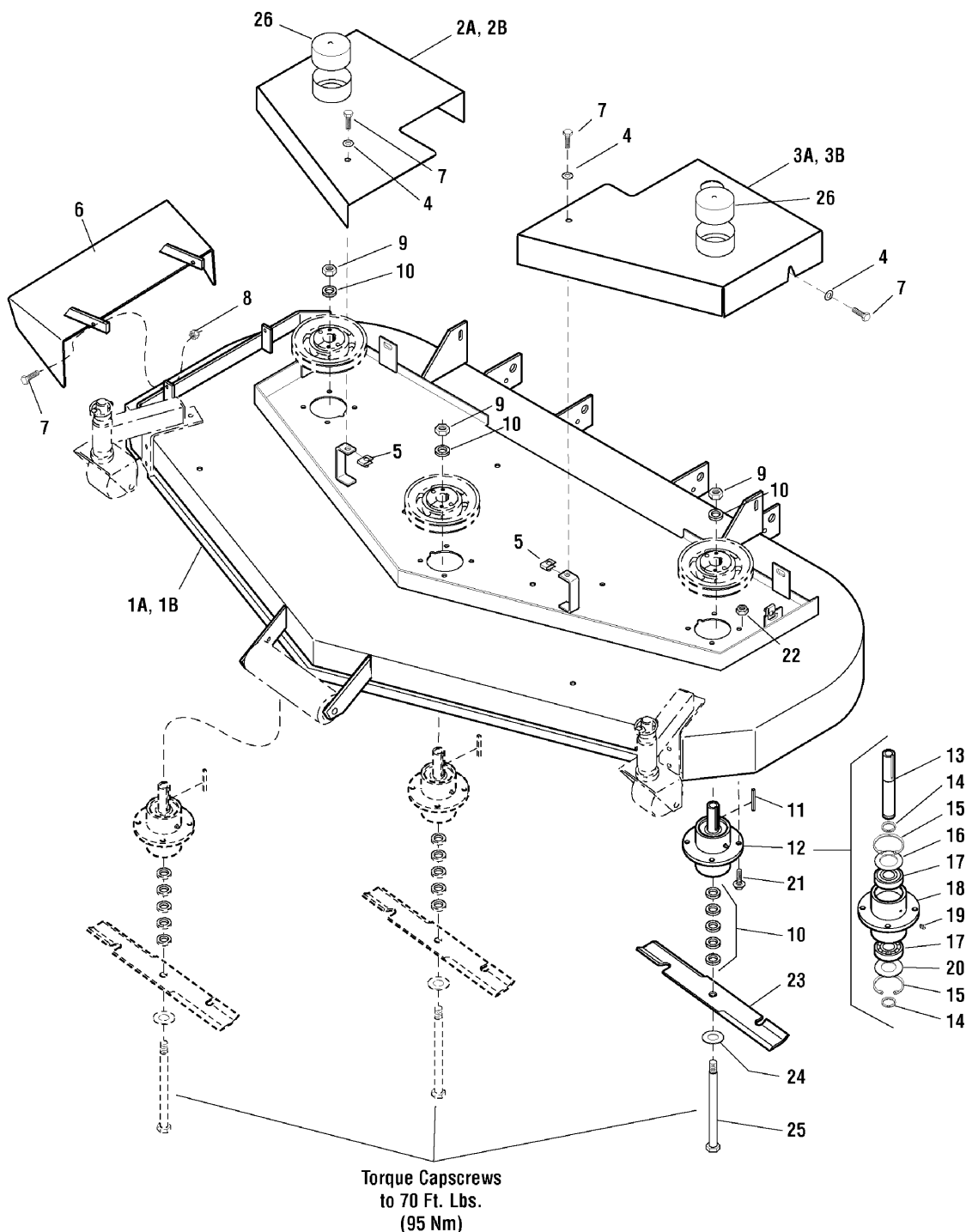
The above parts group applies to the following Mfg. Nos.:

5900204 (S/N: 1209 & below) (5000/72R)

72" Mower Deck - Housing, Covers, Spindles & Blades

NOTE: Unless noted otherwise, use the standard hardware torque specification chart.

0617HC0



The above parts group applies to the following Mfg. Nos.:
5900203 (S/N: 1209 & below) (5000/72)

72" Mower Deck - Housing, Covers, Spindles & Blades

REF NO	PART NO.	QTY.	DESCRIPTION
1A	5047400B	1	72" MOWER HOUSING (see footnote) (S/N: 484 & below)
1B	5648518	1	72" MOWER HOUSING ASSEMBLY (Includes safety decals, S/N: 485 & above)
2A	5047560B	1	SPINDLE COVER-RH (S/N: 484 & below)
2B	5048525B	1	DECK SHIELD - RH (S/N: 485 & above)
3A	5047559B	1	SPINDLE COVER-LH (S/N: 484 & below)
3B	5048524B	1	DECK SHIELD - LH (S/N: 485 & above)
4	5025155	6	WASHER, 5/16" SAE
5	5022308	6	BODY CLIP, 5/16-18
6	5047233B	1	DISCHARGE CHUTE
7	5025011X8	8	BOLT, 5/16-18 x 1
8	5025057	2	NUT, 5/16-18 Hex Nylon Lock
9	5025040	3	NUT, 5/8-11 Hex
10	5041477	18	SPACER, .63 x 1.06 x .23
11	5050407X9	3	KEY, 1/4 SQ. X 2-1/2
12	5030301	3	SPINDLE ASSEMBLY, Complete
13	5041480	3	SPINDLE SHAFT
14	5020864	6	SNAP RING, External
15	5020866	6	SNAP RING, Internal
16	5041653	3	SPINDLE WASHER, Top
17	5020828	6	BEARING
18	5030293	3	SPINDLE HOUSING
19	5020095	3	GREASE FITTING
20	5041672	3	SPINDLE WASHER, Bottom
21	5023157	12	BOLT, Flange Head, 5/16-18 x 1-1/2
22	5025057	12	NUT, 5/16-18 Hex Nylon Lock
23	5022476	3	MOWER BLADE, 25"
24	5025159	3	WASHER, 5/8" USS
25	5025019X76	3	BOLT, 5/8-11 x 9-1/2
26	5021674	2	VINYL CAP

Footnotes

- Ref No. 1A (47400) is obsolete. If replacing mower housing, use Ref No. 1B (48518) and guards Ref. No. 2B & 3B (48525 & 48524).

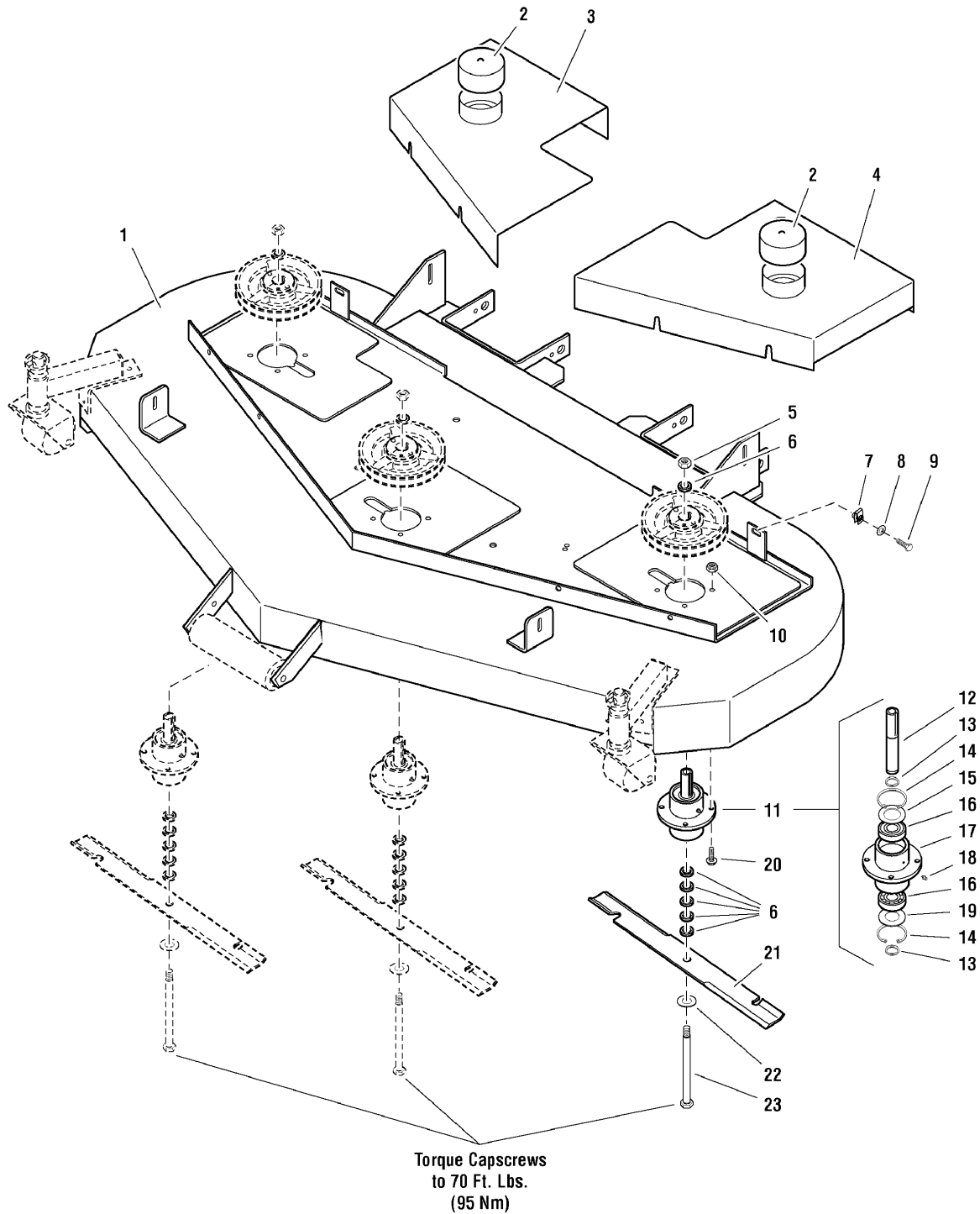
The above parts group applies to the following Mfg. Nos.:

5900203 (S/N: 1209 & below) (5000/72)

72" Mower Deck - Housing, Covers, Spindles & Blades - Rear Discharge

0617HCR0

NOTE: Unless noted otherwise,
use the standard hardware torque
specification chart.



The above parts group applies to the following Mfg. Nos.:
5900204 (S/N: 1209 & below) (5000/72R)

72" Mower Deck - Housing, Covers, Spindles & Blades - Rear Discharge

REF NO	PART NO.	QTY.	DESCRIPTION
1	6648456	1	72" RD MOWER HOUSING ASSEMBLY (Includes safety decals)
2	5021674	2	VINYL CAP
3	5048525B	1	DECK SHIELD - RH
4	5048524B	1	DECK SHIELD - LH
5	5025040	3	NUT, 5/8-11 Hex
6	5041477	18	SPACER, .63 x 1.06 x .23
7	5022308	6	BODY CLIP, 5/16-18
8	5025155	6	WASHER, 5/16" SAE
9	5025011X6	6	BOLT, 5/16-18 x 3/4
10	5025057	12	NUT, 5/16-18 Hex Nylon Lock
11	5030301	3	SPINDLE ASSEMBLY, Complete
12	5041480	3	SPINDLE SHAFT
13	5020864	6	SNAP RING, External
14	5020866	6	SNAP RING, Internal
15	5041653	3	SPINDLE WASHER, Top
16	5020828	6	BEARING
17	5030293	3	SPINDLE HOUSING
18	5020095	3	GREASE FITTING
19	5041672	3	SPINDLE WASHER, Bottom
20	5023157	12	BOLT, Flange Head, 5/16-18 x 1-1/2
21	5023273	3	MOWER BLADE, SAND, 25" (Applies to CE model only)
22	5025159	3	WASHER, 5/8" USS
23	5025019X76	3	BOLT, 5/8-11 x 9-1/2

Footnotes

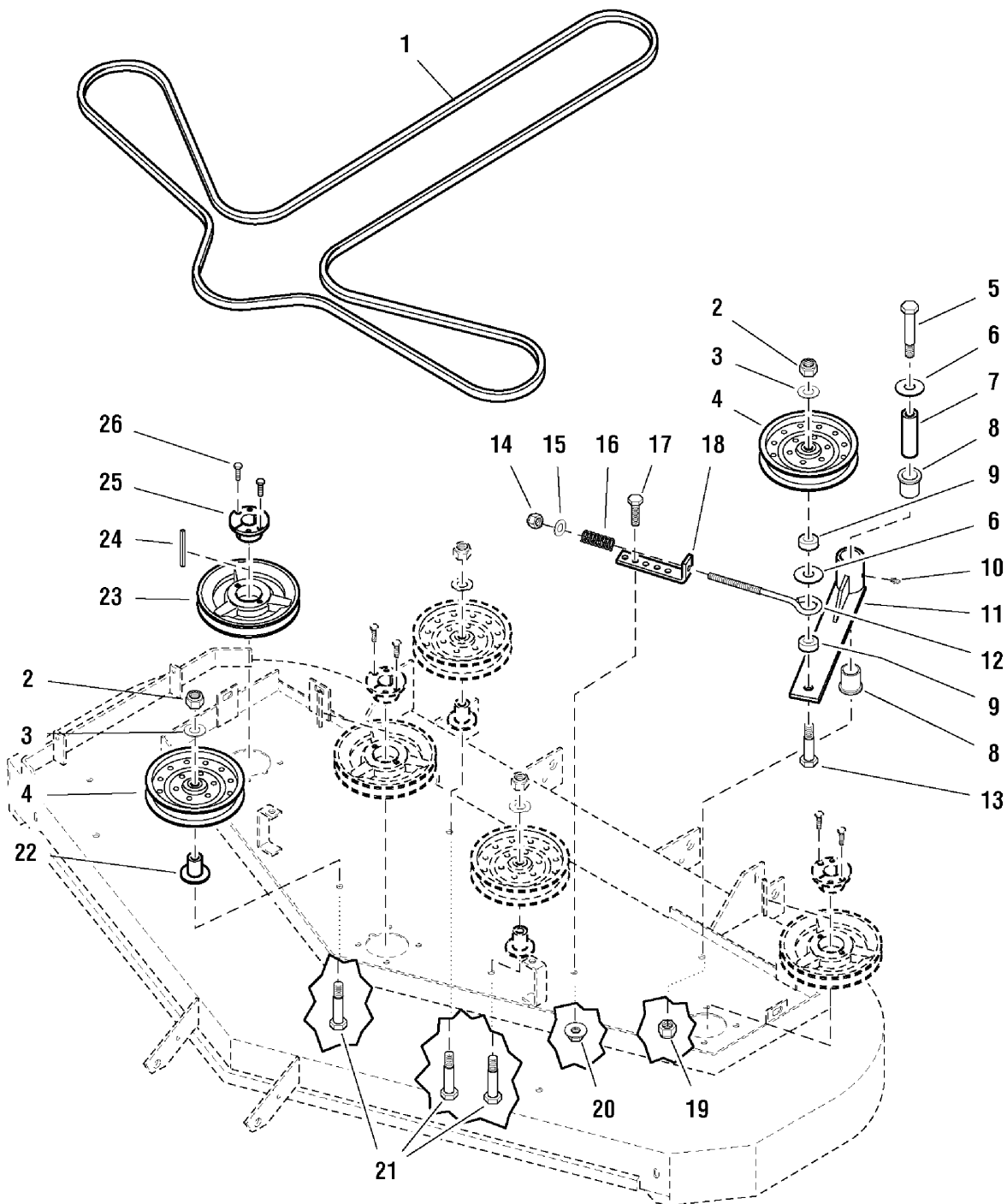
The above parts group applies to the following Mfg. Nos.:

5900204 (S/N: 1209 & below) (5000/72R)

72" Mower Deck - Pulleys, Belt & Idler Arm

NOTE: Unless noted otherwise, use the standard hardware torque specification chart.

0617PB0



The above parts group applies to the following Mfg. Nos.:

5900203 (S/N: 1209 & below) (5000/72)

5900204 (S/N: 1209 & below) (5000/72R)

72" Mower Deck - Pulleys, Belt & Idler Arm

REF NO	PART NO.	QTY.	DESCRIPTION
1	5022439	1	BELT
2	5025098	4	NUT, 1/2-20 Hex Nylon Lock
3	5025158	4	WASHER, 1/2" SAE
4	5021976	4	PULLEY, Idler
5	5025017X36	1	BOLT, 1/2-13 x 4-1/2
6	5025150	2	WASHER, 1/2" USS
7	5045022	1	SPACER, .52 x 1.00 x 3.50
8	5021541	2	BUSHING, Flange
9	5045023	2	SPACER, .52 x 1.00 x .44
10	5020095	1	GREASE FITTING
11	5045019B	1	IDLER ARM
12	5021811	1	EYEBOLT, 3/8" x 8"
13	5025018X24	1	BOLT, 1/2-20 x 3
14	5025096	1	NUT, 3/8-16 Hex Nylon Lock
15	5025156	1	WASHER, 3/8" SAE
16	5022788	1	SPRING, Compression
17	5025013X8	1	BOLT, 3/8-16 x 1
18	5046556B	1	SPRING ANCHOR
19	5025056	1	NUT, 1/2-13 Hex Nylon Lock
20	5025128	1	NUT, 3/8-16 Hex Serrated Flange
21	5025018X28	3	BOLT, 1/2-20 x 3-1/2
22	5045024B	3	IDLER PULLEY MOUNT
23	5022794	3	PULLEY, Spindle
24	5050407X9	3	KEY, 1/4 SQ. X 2-1/2
25	5020819	3	BUSHING, Tapered Hub
26	5025010X8	6	BOLT, 1/4-20 x 1

Footnotes

The above parts group applies to the following Mfg. Nos.:

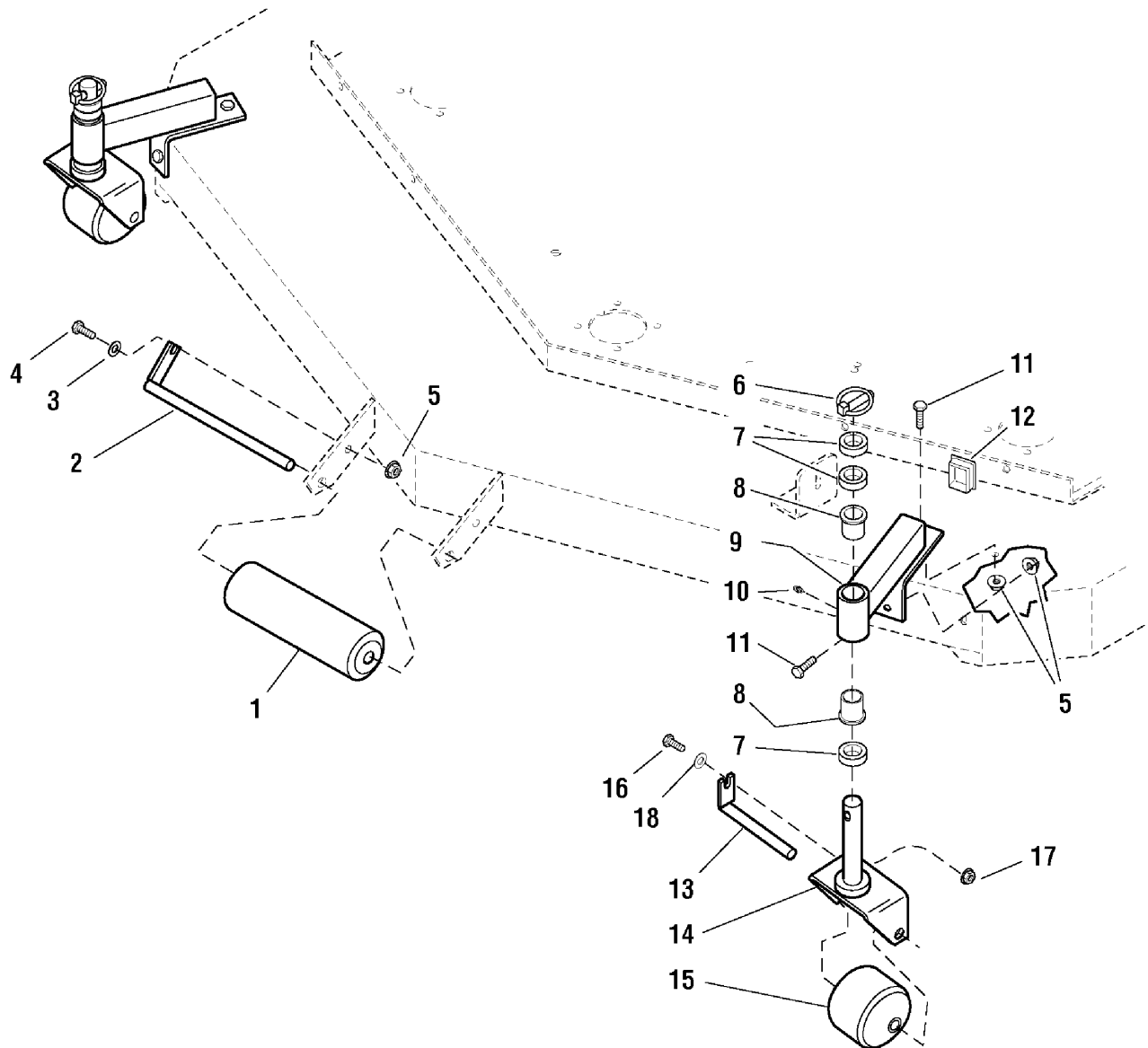
5900203 (S/N: 1209 & below) (5000/72)

5900204 (S/N: 1209 & below) (5000/72R)

72" Mower Deck - Rollers & Casters

NOTE: Unless noted otherwise,
use the standard hardware torque
specification chart.

0617RL0



The above parts group applies to the following Mfg. Nos.:

5900203 (S/N: 1209 & below) (5000/72)

5900204 (S/N: 1209 & below) (5000/72R)

72" Mower Deck - Rollers & Casters

REF NO	PART NO.	QTY.	DESCRIPTION
1	5020785	1	ROLLER
2	5041653	1	SPINDLE WASHER, Top
3	5025156	1	WASHER, 3/8" SAE
4	5025013X8	1	BOLT, 3/8-16 x 1
5	5025128	5	NUT, 3/8-16 Hex Serrated Flange
6	5020655	2	PIN, Lynch
7	5041476	6	SPACER, 1.02 x 1.56 x .50
8	5021541	4	BUSHING, Flange
9	5046965B	2	CASTER MOUNT ARM
10	5020095	2	GREASE FITTING
11	5025013X6	4	BOLT, 3/8-16 x 3/4
12	5022098	2	CAP, Plastic
13	5045034B	2	CASTER ROLLER PIN
14	5045188B	2	CASTER YOKE
15	5022060	2	ROLLER, Caster
16	5025011X6	2	BOLT, 5/16-18 x 3/4
17	5025127	2	NUT, 5/16-18 Hex Small Serrated Flange
18	5025292	2	WASHER, 5/16" GD9

Footnotes

The above parts group applies to the following Mfg. Nos.:

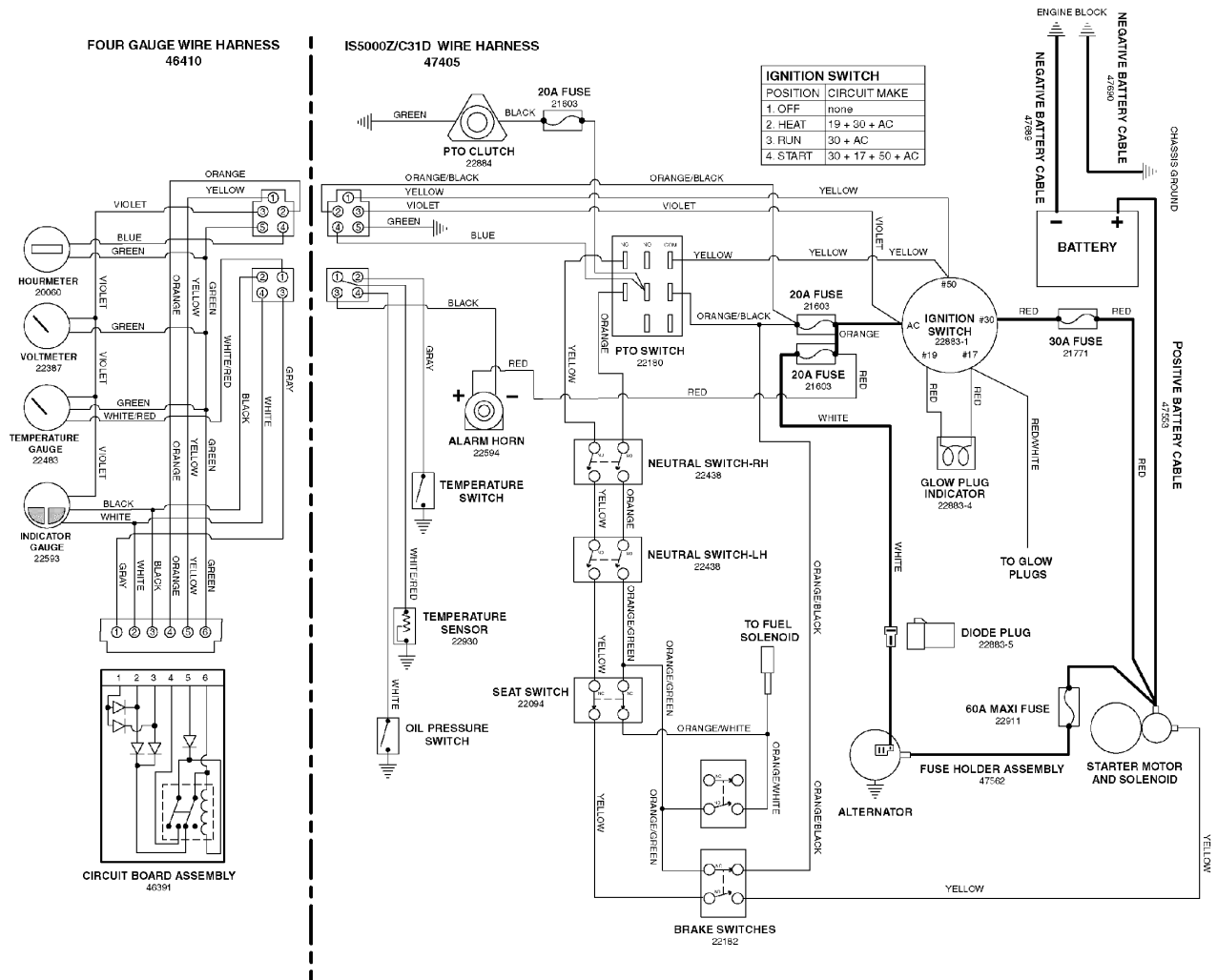
5900203 (S/N: 1209 & below) (5000/72)

5900204 (S/N: 1209 & below) (5000/72R)

Electrical Schematic - Charging Circuit - Diesel

(S/N: 410 & below)

061ESCC0



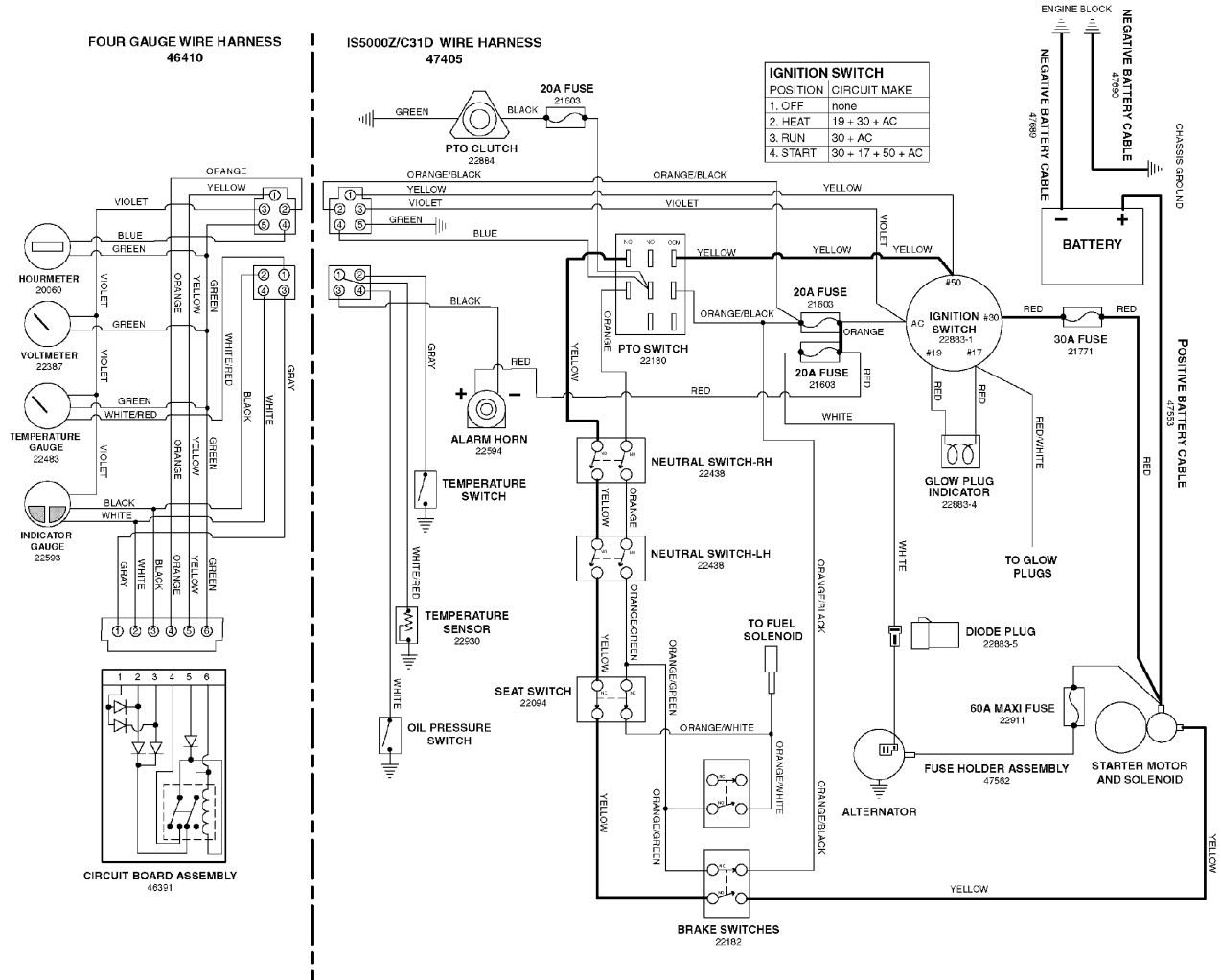
The above parts group applies to the following Mfg. Nos.:

5901070 (S/N: 1225 & below) (IS5000Z/C3)

Electrical Schematic - Cranking Circuit - Diesel

(S/N: 410 & below)

061ESCR0

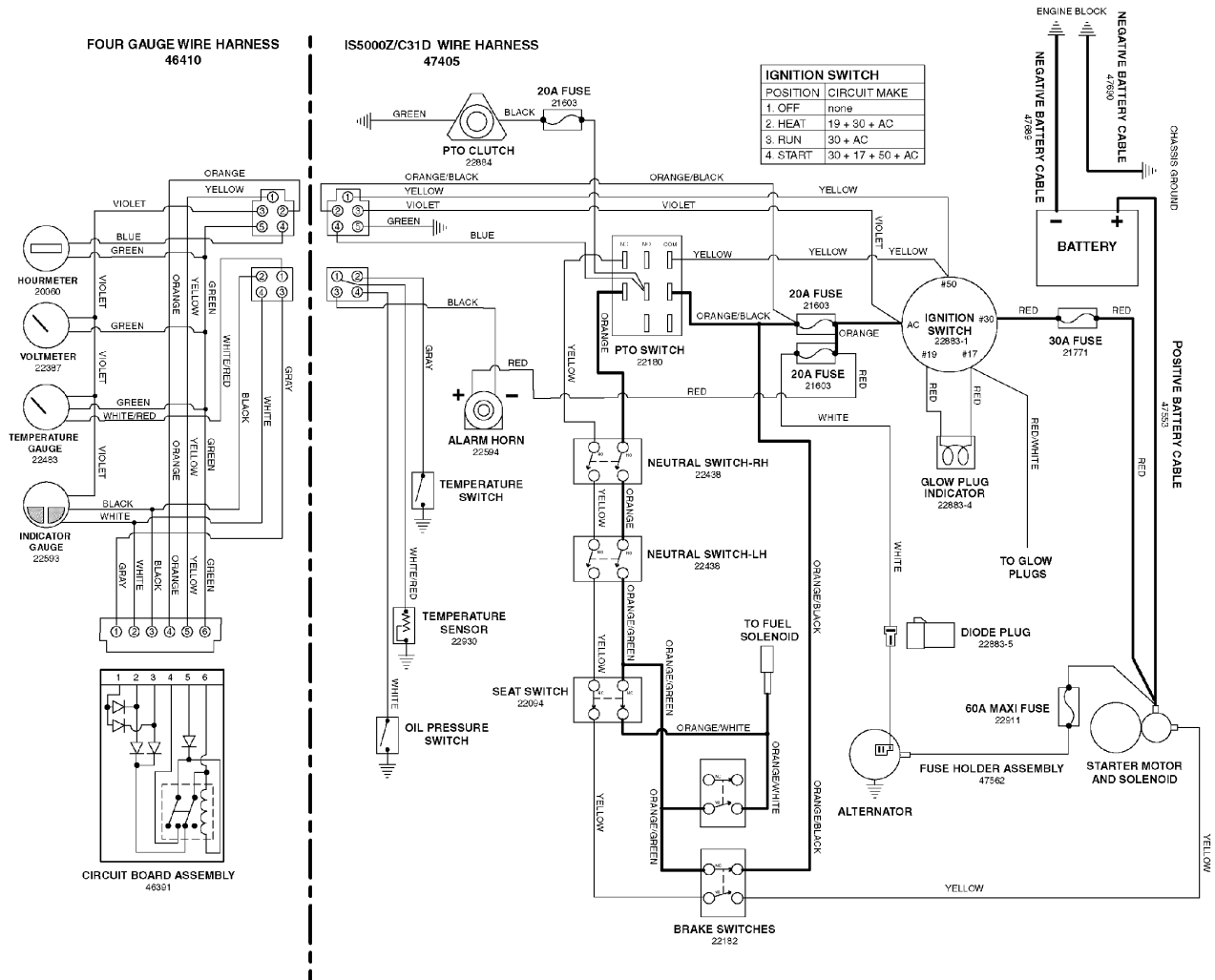


The above parts group applies to the following Mfg. Nos.:
5901070 (S/N: 1225 & below) (IS5000Z/C3)

Electrical Schematic - Operator Presence/Safety Circuit - Diesel

(S/N: 410 & below)

061ESCI0

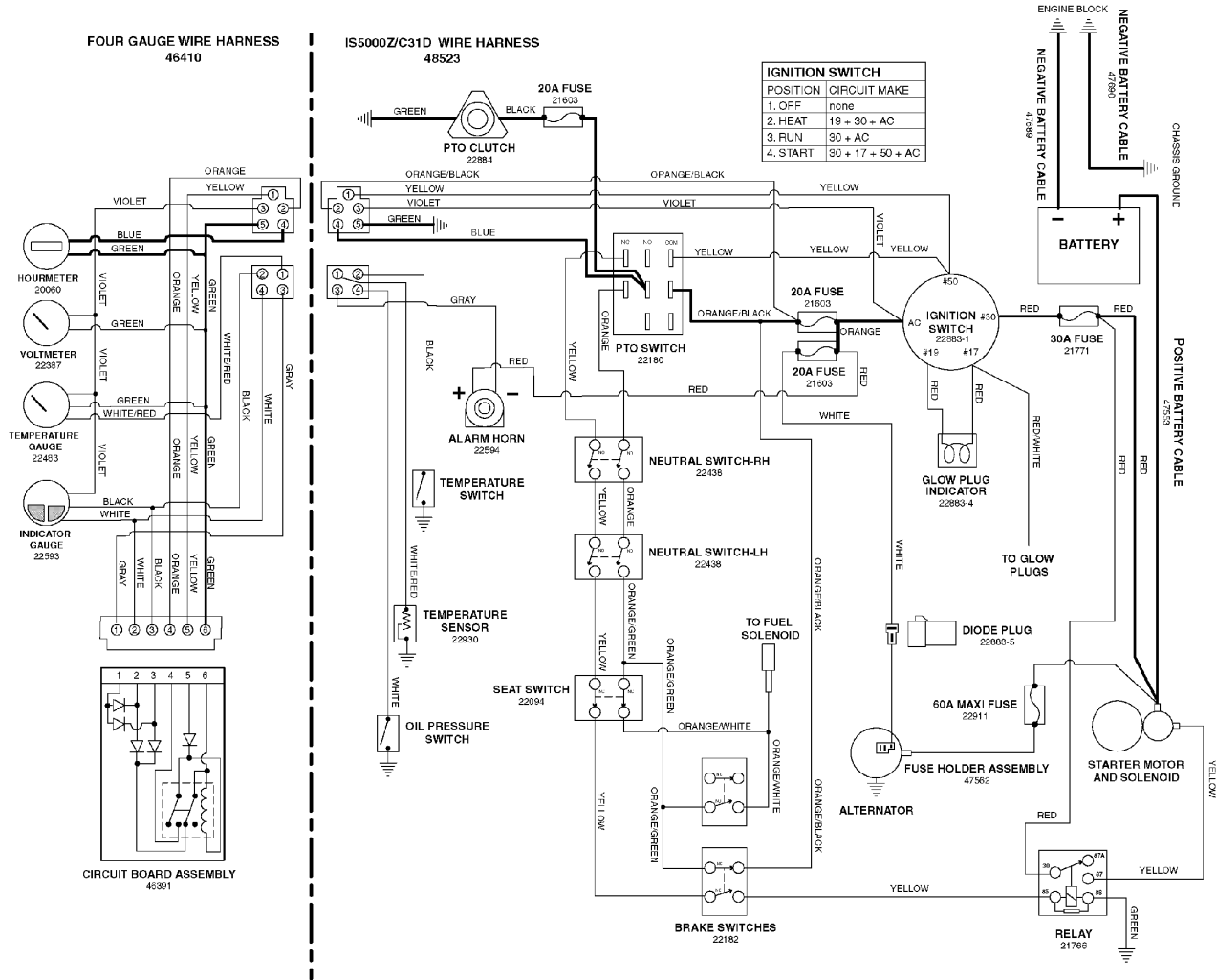


The above parts group applies to the following Mfg. Nos.:
5901070 (S/N: 1225 & below) (IS5000Z/C3)

Electrical Schematic - PTO Clutch & Hourmeter Circuit - Diesel

(S/N: 410 & below)

061ESCP1

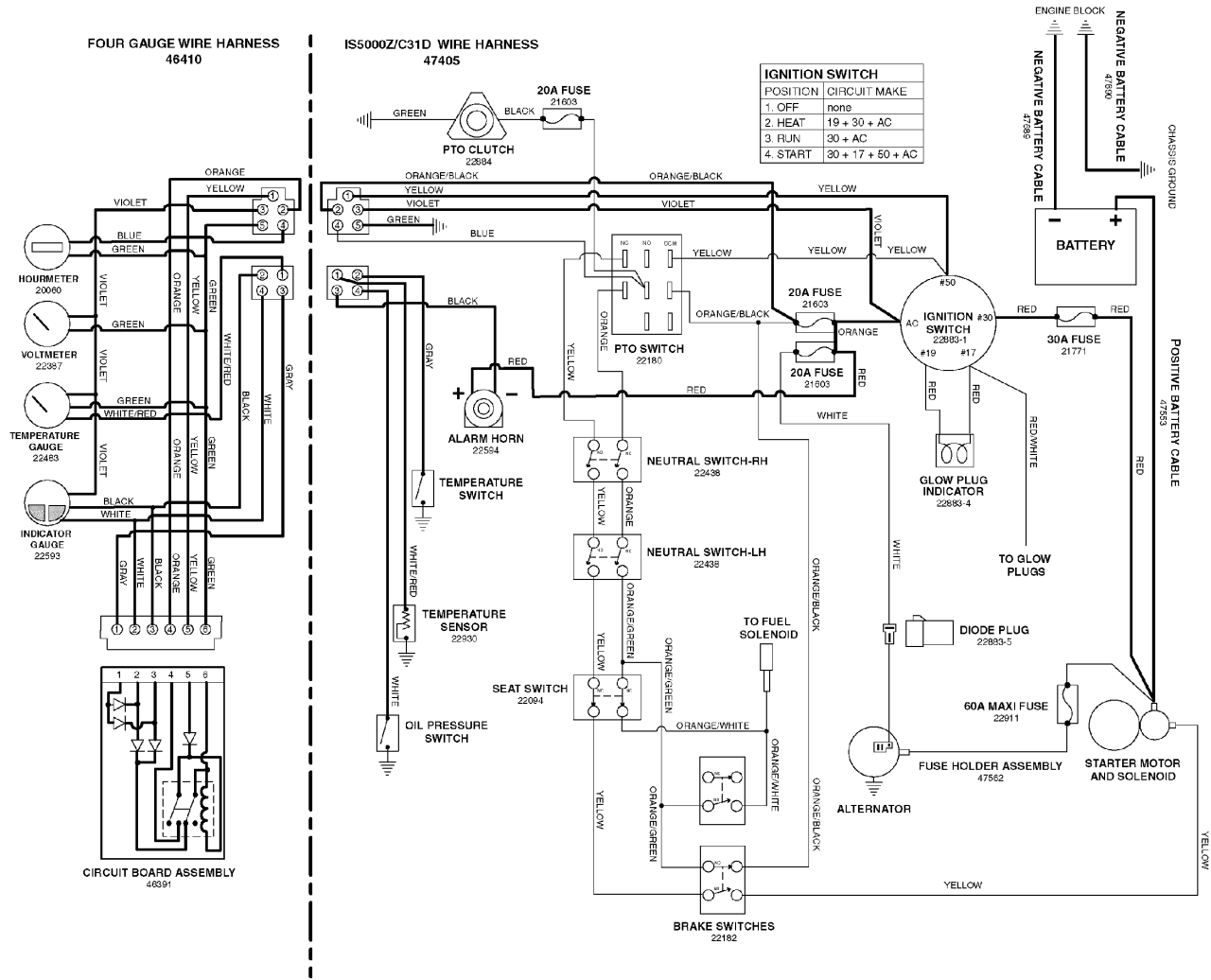


The above parts group applies to the following Mfg. Nos.:
5901070 (S/N: 1225 & below) (IS5000Z/C3)

Electrical Schematic - Gauges & Alarm Circuit - Diesel

(S/N: 410 & below)

061ESCG0

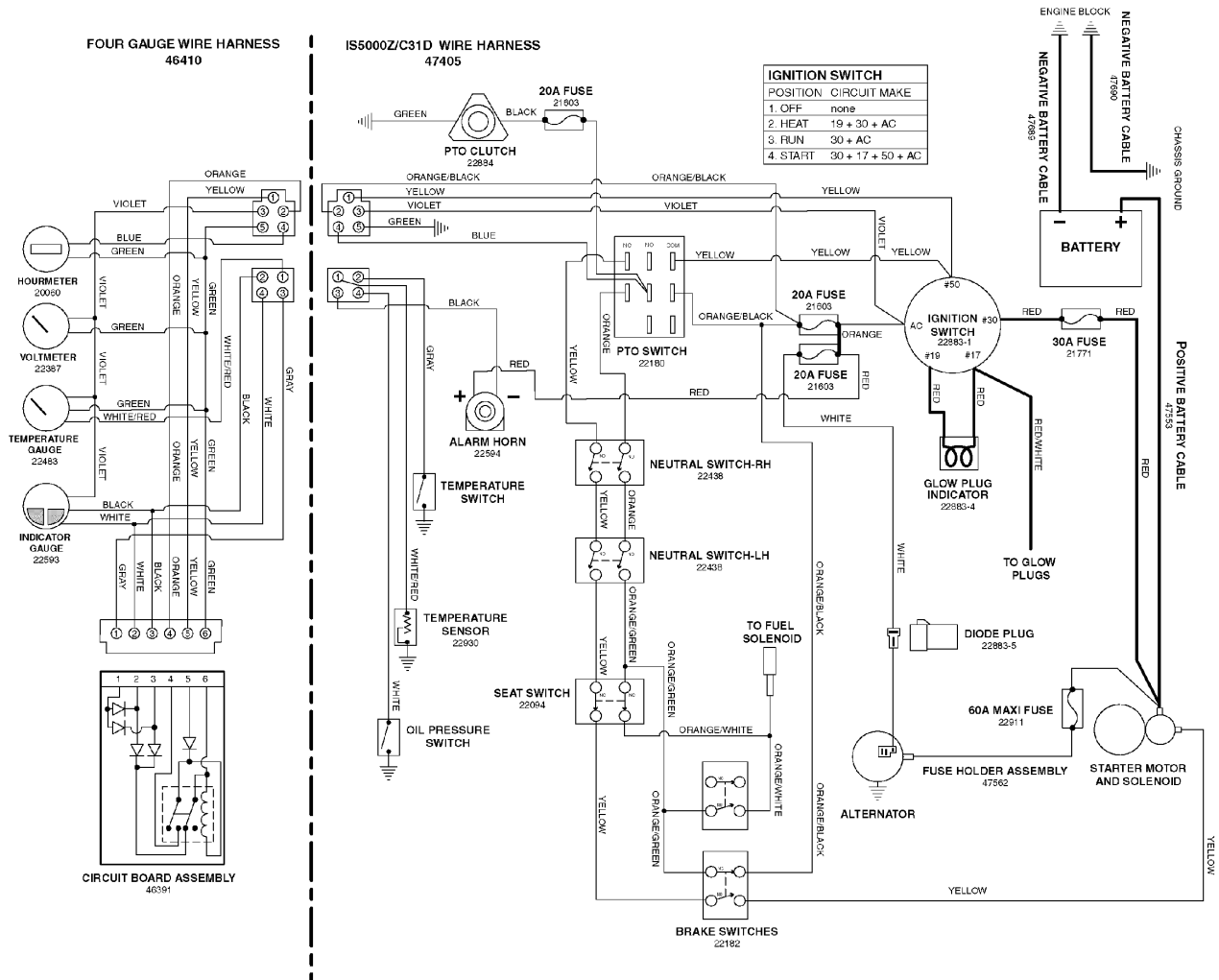


The above parts group applies to the following Mfg. Nos.:
5901070 (S/N: 1225 & below) (IS5000Z/C3)

Electrical Schematic - Glow Plug Heat Circuit - Diesel

(S/N: 410 & below)

061ESCH0

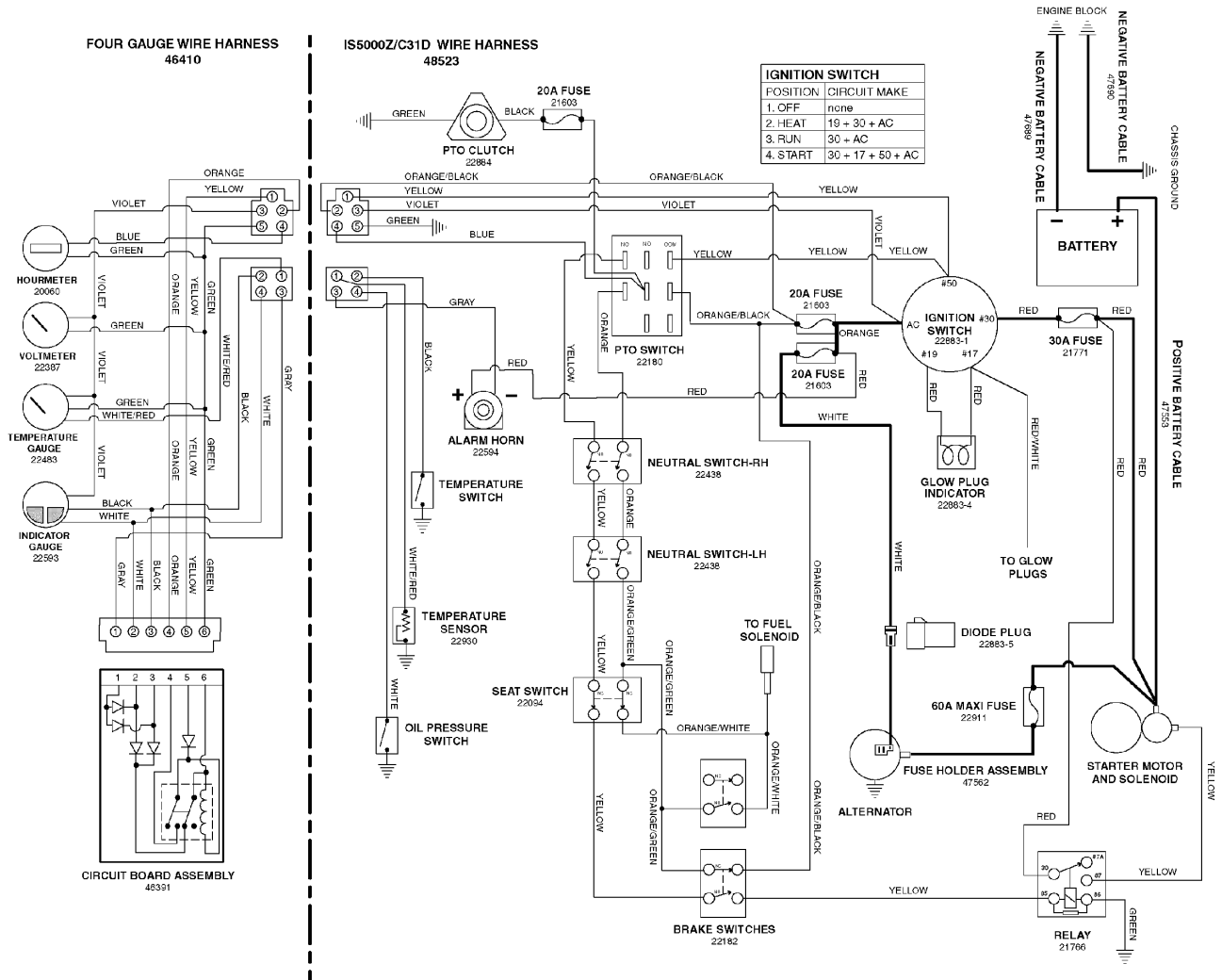


The above parts group applies to the following Mfg. Nos.:
5901070 (S/N: 1225 & below) (IS5000Z/C3)

Electrical Schematic - Charging Circuit - Diesel

(S/N: 411 & above)

061ESCC1



The above parts group applies to the following Mfg. Nos.:

5901070 (S/N: 1225 & below) (IS5000Z/C3)

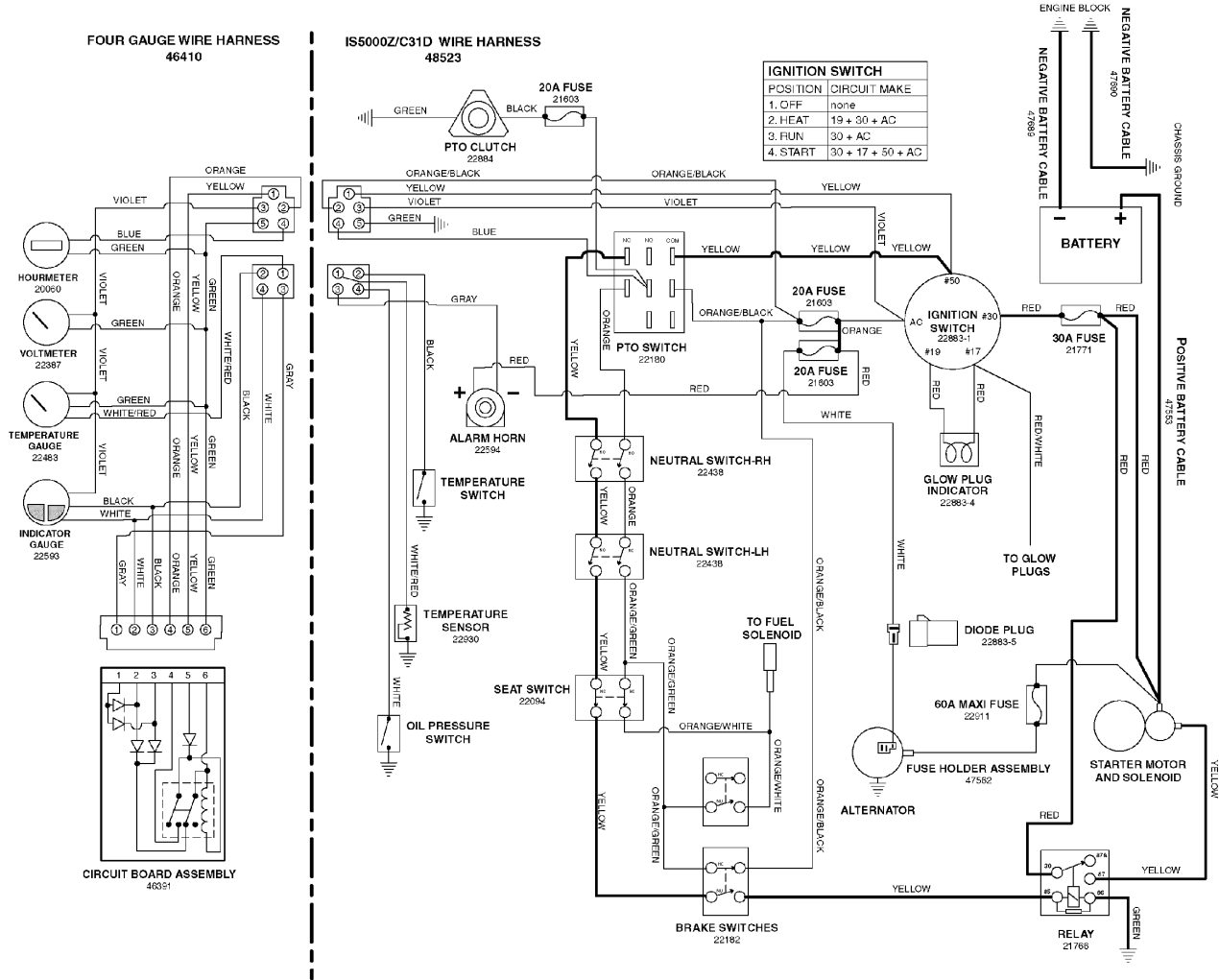
5901074 (S/N: 1225 & below) (IS5000Z/C3)

5901071 (S/N: 1225 & below) (IS5000Z/C3)

Electrical Schematic - Cranking Circuit - Diesel

(S/N: 411 & above)

061ESCR1



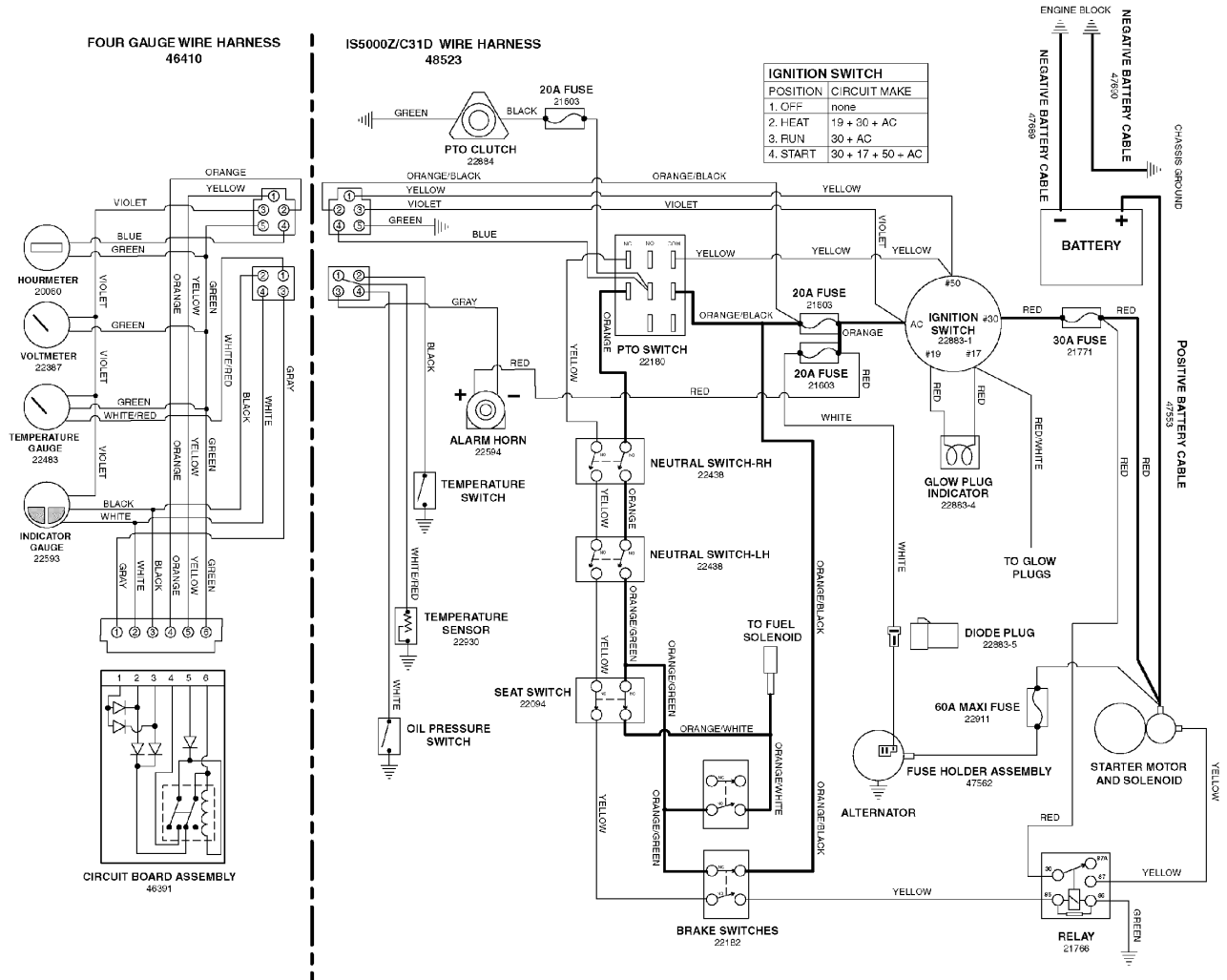
The above parts group applies to the following Mfg. Nos.:

- 5901070 (S/N: 1225 & below) (IS5000Z/C3)
- 5901074 (S/N: 1225 & below) (IS5000Z/C3)
- 5901071 (S/N: 1225 & below) (IS5000Z/C3)

Electrical Schematic - Operator Presence/Safety Circuit - Diesel

(S/N: 411 & above)

061ESC11



The above parts group applies to the following Mfg. Nos.:

5901070 (S/N: 1225 & below) (IS5000Z/C3)

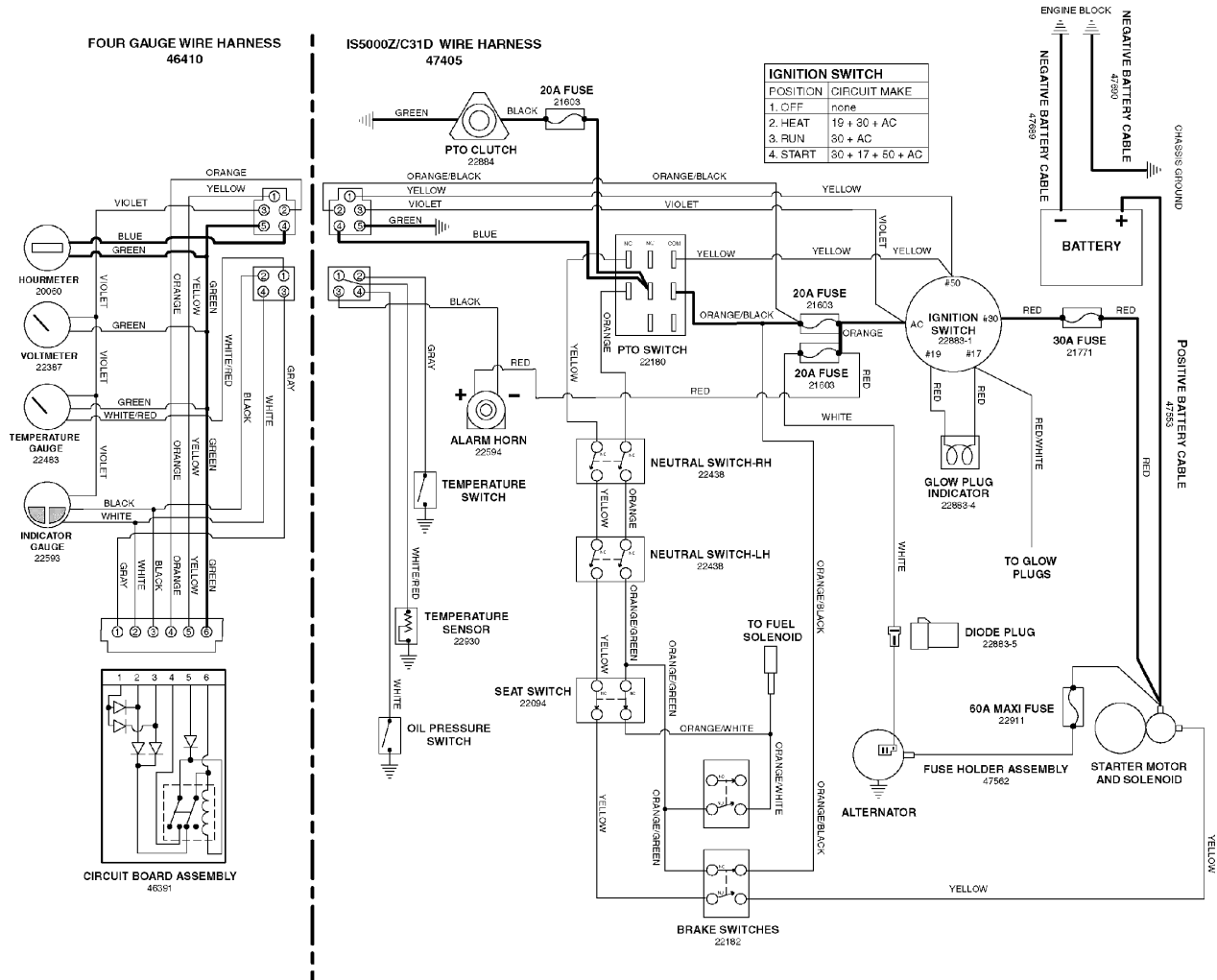
5901074 (S/N: 1225 & below) (IS5000Z/C3)

5901071 (S/N: 1225 & below) (IS5000Z/C3)

Electrical Schematic - PTO Clutch & Hourmeter - Diesel

(S/N: 411 & above)

061ESCP0



The above parts group applies to the following Mfg. Nos.:

5901070 (S/N: 1225 & below) (IS5000Z/C3)

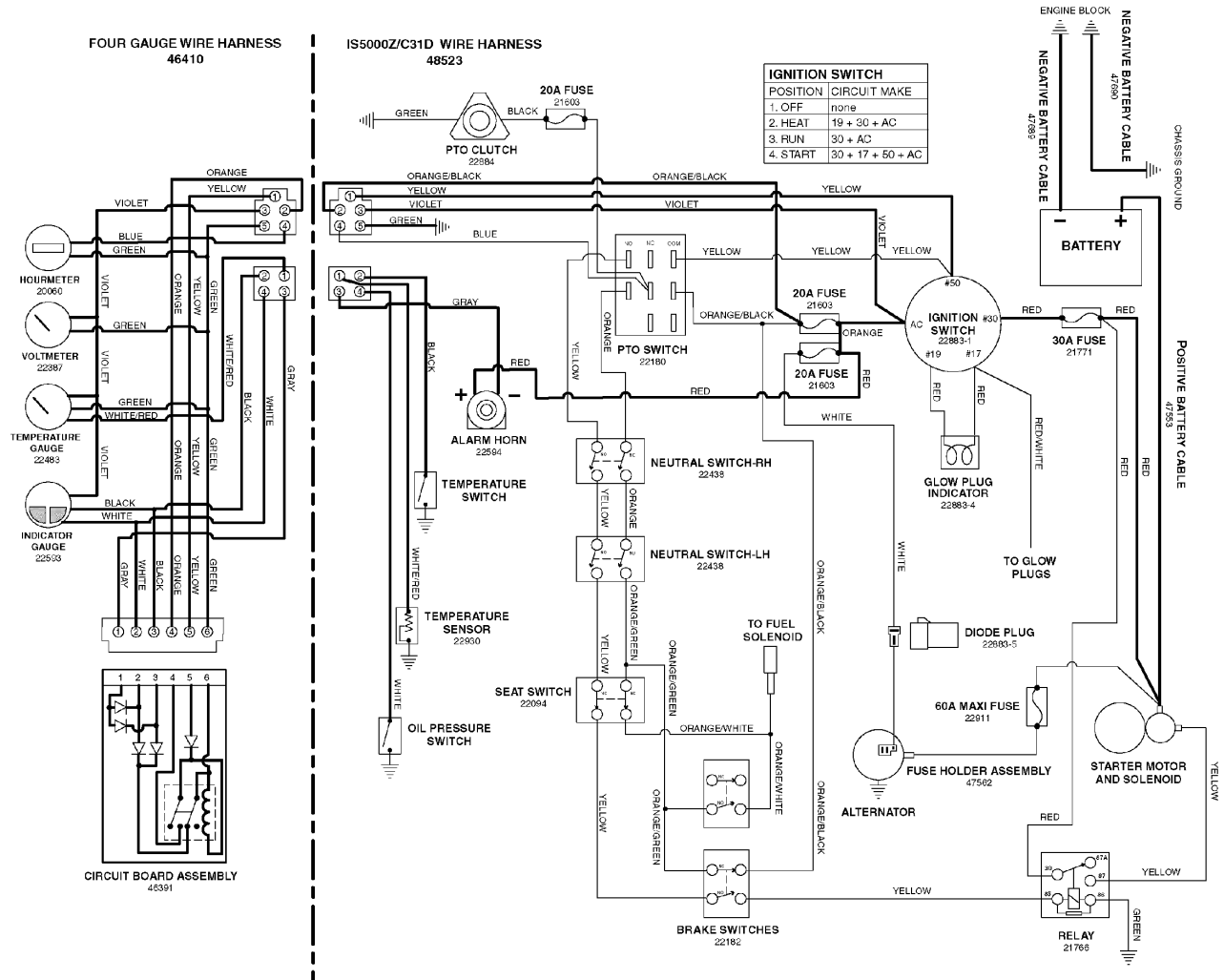
5901074 (S/N: 1225 & below) (IS5000Z/C3)

5901071 (S/N: 1225 & below) (IS5000Z/C3)

Electrical Schematic - Gauges & Alarm Circuit - Diesel

(S/N: 411 & above)

061ESCG1



The above parts group applies to the following Mfg. Nos.:

5901070 (S/N: 1225 & below) (IS5000Z/C3)

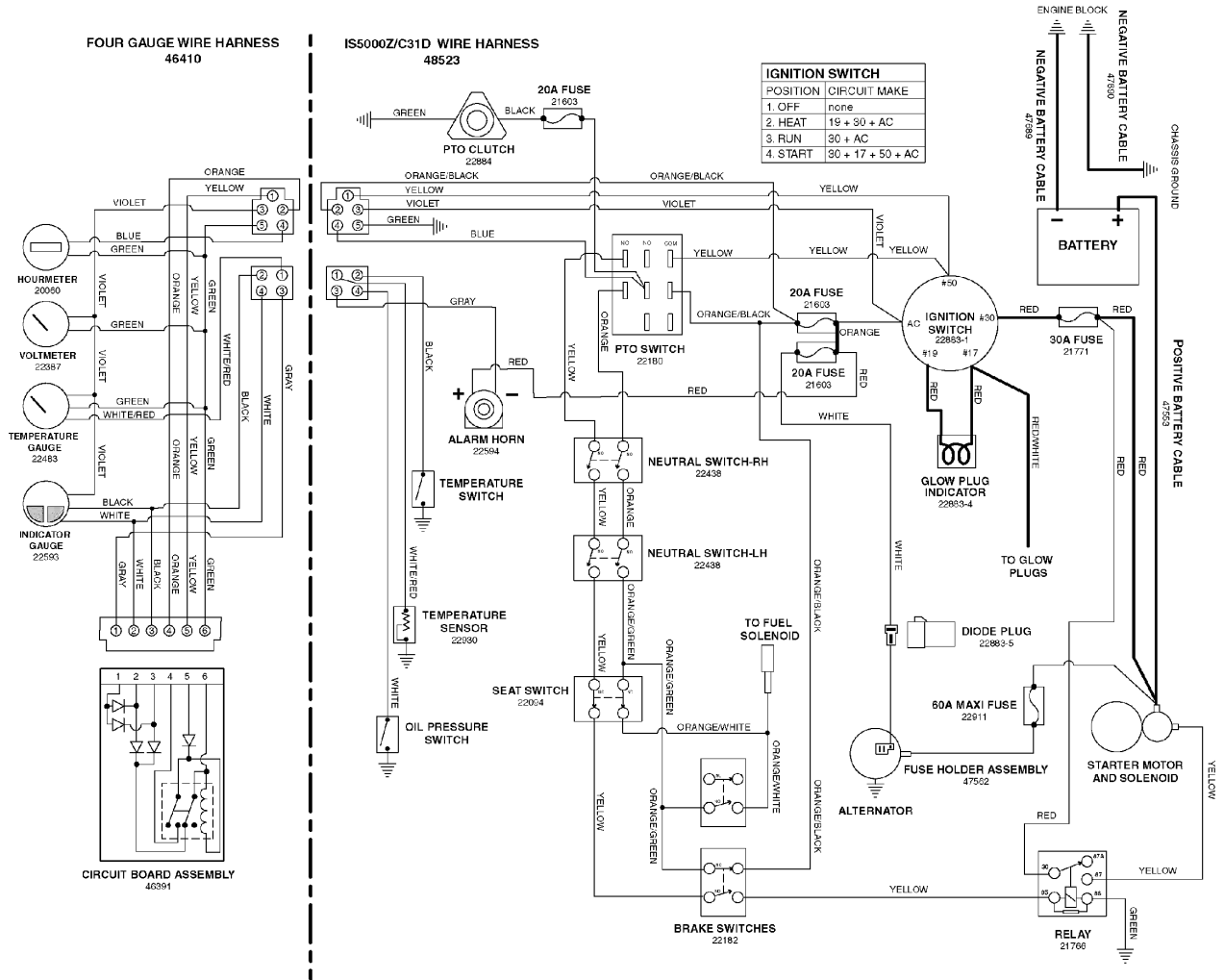
5901074 (S/N: 1225 & below) (IS5000Z/C3)

5901071 (S/N: 1225 & below) (IS5000Z/C3)

Electrical Schematic - Glow Plug Heat Circuit - Diesel

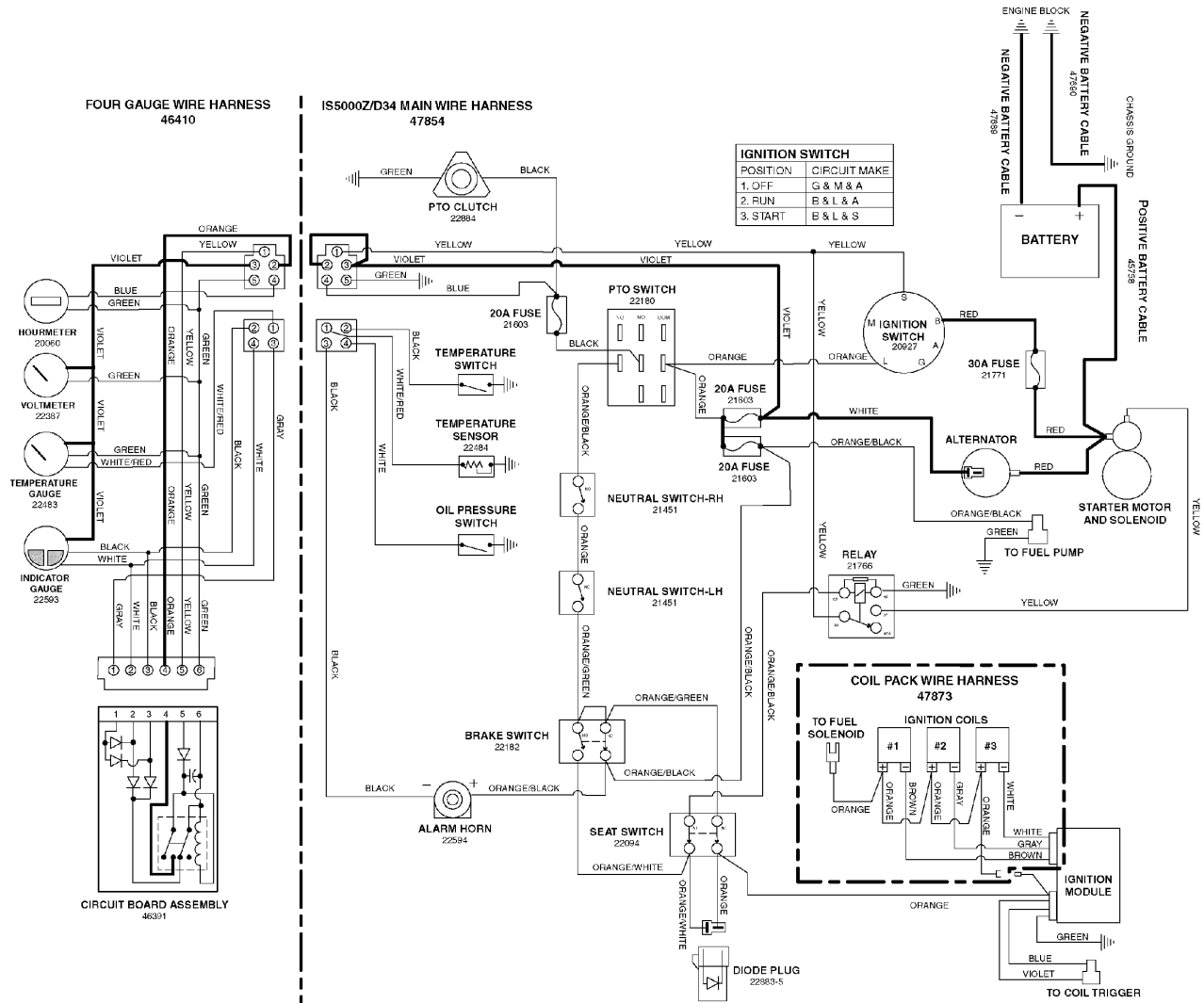
(S/N: 411 & above)

061ESCH1

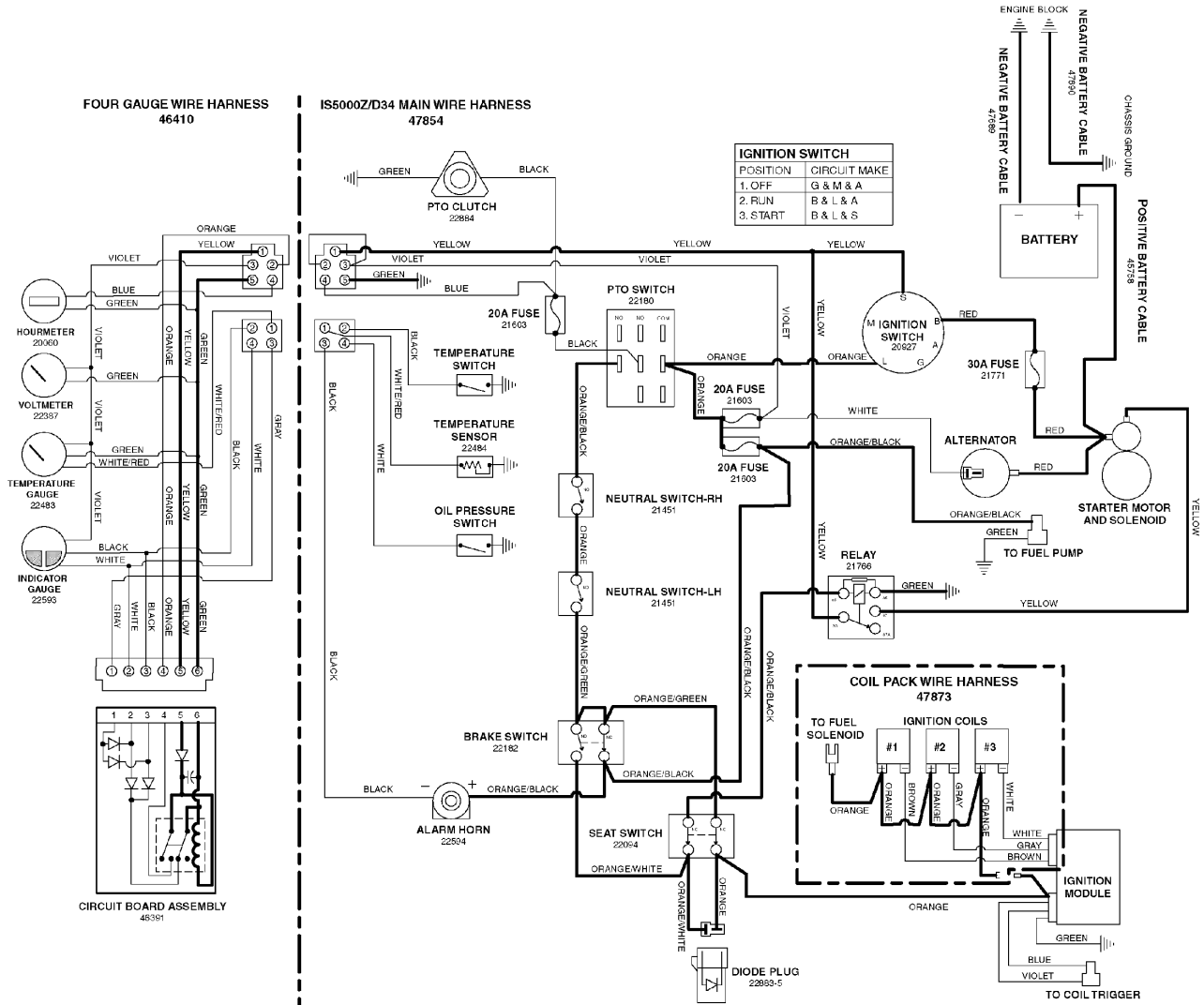


The above parts group applies to the following Mfg. Nos.:

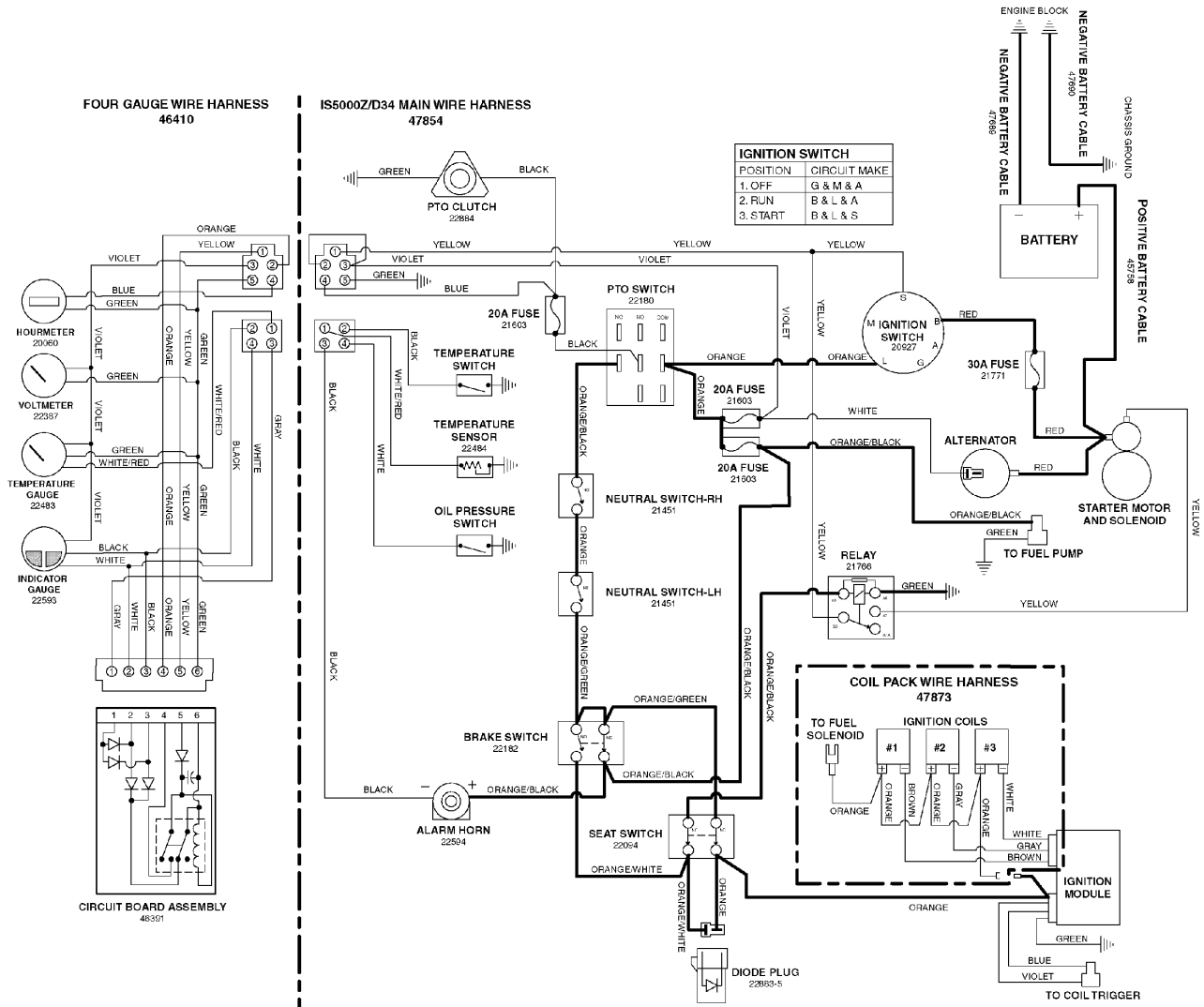
- 5901070 (S/N: 1225 & below) (IS5000Z/C3)
- 5901074 (S/N: 1225 & below) (IS5000Z/C3)
- 5901071 (S/N: 1225 & below) (IS5000Z/C3)



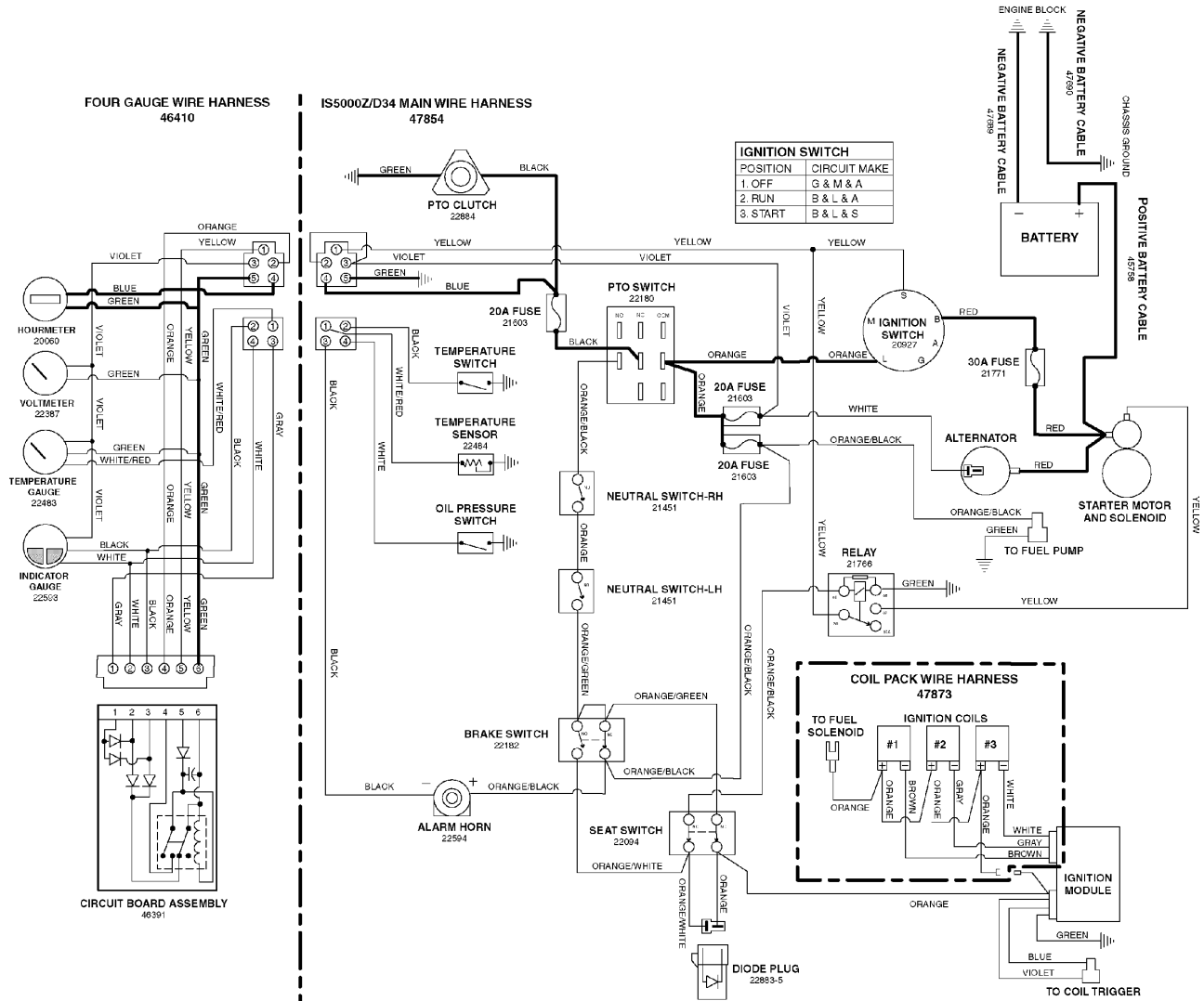
The above parts group applies to the following Mfg. Nos.:
5901073 (IS5000Z/D34)



The above parts group applies to the following Mfg. Nos.:
5901073 (IS5000Z/D34)



The above parts group applies to the following Mfg. Nos.:
5901073 (IS5000Z/D34)

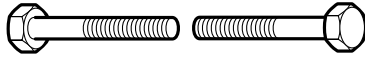


The above parts group applies to the following Mfg. Nos.:
5901073 (IS5000Z/D34)

Hardware Identification & Torque Specifications

Common Hardware Types

Hex Head Capscrew



Washer



Carriage Bolt



Lockwasher



Hex Nut

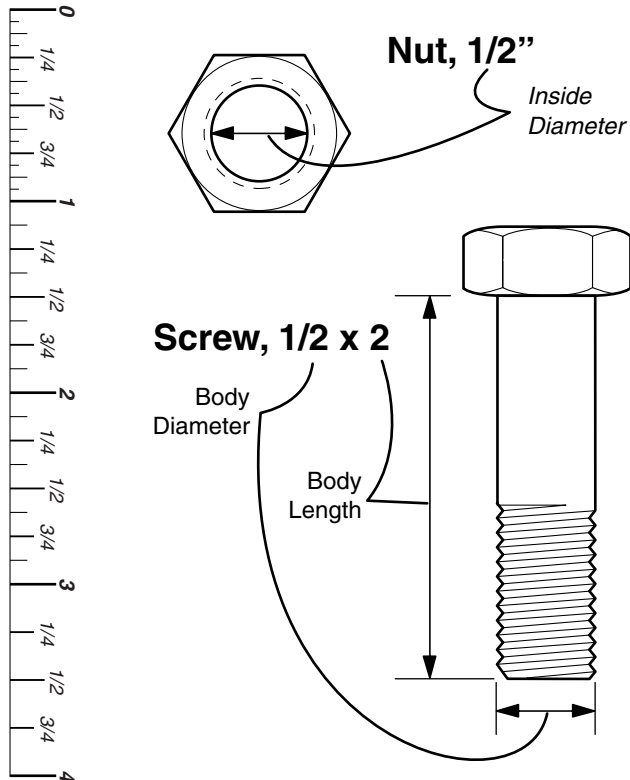


Standard Hardware Sizing

When a washer or nut is identified as $1/2''$, this is the *Nominal size*, meaning the *inside diameter* is $1/2$ inch; if a second number is present it represents the *threads per inch*

When bolt or capscrew is identified as $1/2 - 16 \times 2''$, this means the *Nominal size*, or *body diameter* is $1/2$ inch; the second number represents the *threads per inch* (16 in this example, and the final number is the *body length* of the bolt or screw (in this example 2 inches long).

The guides and ruler furnished below are designed to help you select the appropriate hardware and tools.



Torque Specification Chart

FOR STANDARD MACHINE HARDWARE (Tolerance $\pm 20\%$)

Hardware Grade	No Marks SAE Grade 2		SAE Grade 5		SAE Grade 8	
	in/lbs ft/lbs	Nm.	in/lbs ft/lbs	Nm.	in/lbs ft/lbs	Nm.
8-32	19	2.1	30	3.4	41	4.6
8-36	20	2.3	31	3.5	43	4.9
10-24	27	3.1	43	4.9	60	6.8
10-32	31	3.5	49	5.5	68	7.7
1/4-20	66	7.6	8	10.9	12	16.3
1/4-28	76	8.6	10	13.6	14	19.0
5/16-18	11	15.0	17	23.1	25	34.0
5/16-24	12	16.3	19	25.8	27	34.0
3/8-16	20	27.2	30	40.8	45	61.2
3/8-24	23	31.3	35	47.6	50	68.0
7/16-14	30	40.8	50	68.0	70	95.2
7/16-20	35	47.6	55	74.8	80	108.8
1/2-13	50	68.0	75	102.0	110	149.6
1/2-20	55	74.8	90	122.4	120	163.2
9/16-12	65	88.4	110	149.6	150	204.0
9/16-18	75	102.0	120	163.2	170	231.2
5/8-11	90	122.4	150	204.0	220	299.2
5/8-18	100	136	180	244.8	240	326.4
3/4-10	160	217.6	260	353.6	386	525.0
3/4-16	180	244.8	300	408.0	420	571.2
7/8-9	140	190.4	400	544.0	600	816.0
7/8-14	155	210.8	440	598.4	660	897.6
1-8	220	299.2	580	788.8	900	1,244.0
1-12	240	326.4	640	870.4	1,000	1,360.0

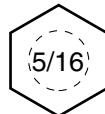
NOTES

- These torque values are to be used for all hardware excluding: locknuts, self-tapping screws, thread forming screws, sheet metal screws and socket head setscrews.
- Recommended seating torque values for locknuts:
 - for prevailing torque locknuts - use 65% of grade 5 torques.
 - for flange whizlock nuts and screws - use 135% of grade 5 torques.
- Unless otherwise noted on assembly drawings, all torque values must meet this specification.

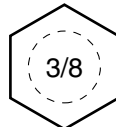
Wrench & Fastener Size Guide



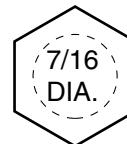
$1/4''$ Bolt or Nut
Wrench— $7/16''$



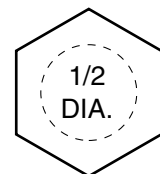
$5/16''$ Bolt or Nut
Wrench— $1/2''$



$3/8''$ Bolt or Nut
Wrench— $9/16''$



$7/16''$ Bolt or Nut
Wrench (Bolt)— $5/8''$
Wrench (Nut)— $11/16''$



$1/2''$ Bolt or Nut
Wrench— $3/4''$

Parts Manual

IS5000Z Series

Zero-Turn Riding Mower

IT IS THE POLICY OF FERRIS INDUSTRIES TO IMPROVE ITS PRODUCTS WHENEVER IT IS POSSIBLE AND PRACTICAL TO DO SO. WE RESERVE THE RIGHT TO MAKE CHANGES OR ADD IMPROVEMENTS AT ANY TIME WITHOUT INCURRING ANY OBLIGATION TO MAKE SUCH CHANGES ON PRODUCTS MANUFACTURED PREVIOUSLY.



Ferris Industries

5375 North Main Street
Munnsville, NY 13409 USA
800-933-6175

www.ferrisindustries.com

© Copyright 2006 Ferris Industries
All Rights Reserved. Printed In USA.