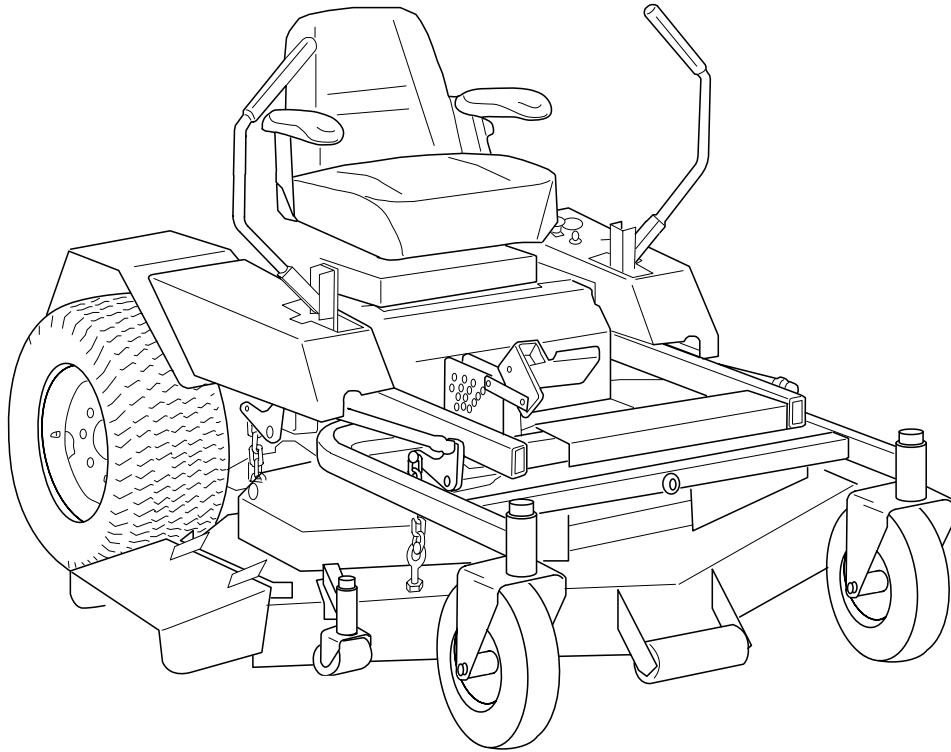




Parts Manual



ISZ **Zero-Turn Riding Mower**

Models:
ISZKAV23/52
ISZKAV23/61
ISZ25K/52
ISZ25K/61

Beginning Serial No:
2269

Ferris Industries
5375 North Main Street
Munnsville, NY 13409
800-933-6175

22423

5/2000
F-ISZ-PAR-00

This Manual Covers The Following Products:

ISZ RIDER

	PAGES
ISZKAV23/52 ISZ 23 HP Kawasaki Rider w/ 52" Mower	2-41
ISZKAV23/61 ISZ 23 HP Kawasaki Rider w/ 61" Mower	2-41
ISZ25K/52 ISZ 25 HP Kohler Rider w/ 52" Mower	2-41
ISZ25K/61 ISZ 25 HP Kohler Rider w/ 61" Mower	2-41

52" MOWER DECK

	PAGES
ISZKAV23/52 ISZ 23 HP Kawasaki Rider w/ 52" Mower	42-47 & 54-55
ISZ25K/52 ISZ 25 HP Kohler Rider w/ 52" Mower	42-47 & 54-55

61" MOWER DECK

	PAGES
ISZKAV23/61 ISZ 23 HP Kawasaki Rider w/ 61" Mower	48-55
ISZ25K/61 ISZ 25 HP Kohler Rider w/ 61" Mower	48-55

RIDER COMPONENTS

Front Pivot Frame & Main Frame Group	.2
Seat, Floor, Control Cover, Fender & Bumper Group	.4
Instrument Panel Group	.6
Engine & PTO Group	.8
Pump Drive Group	.10
Brake Cover & Control Cover Mount Group	.12
Motion Control Group-Upper	.14
Motion Control Group-Lower	.16
Hydraulic Group (Serial No. 2269 - 2503)	.18
Hydraulic Group (Serial No. 2504 & up)	.20
Hydraulic Release Group (Serial No. 2504 & up)	.22
Parking Brake Group - Upper	.24
Parking Brake Group - Lower	.26
Suspension Group	.28
Wheels & Tires Group	.30
Fuel Tank & Battery Box Group	.32
Deck Lift Group	.34
Electrical Group - Kawasaki	.36
Electrical Group - Kohler	.38
Decals - Safety, Brand & Model	.40

MOWER DECK COMPONENTS

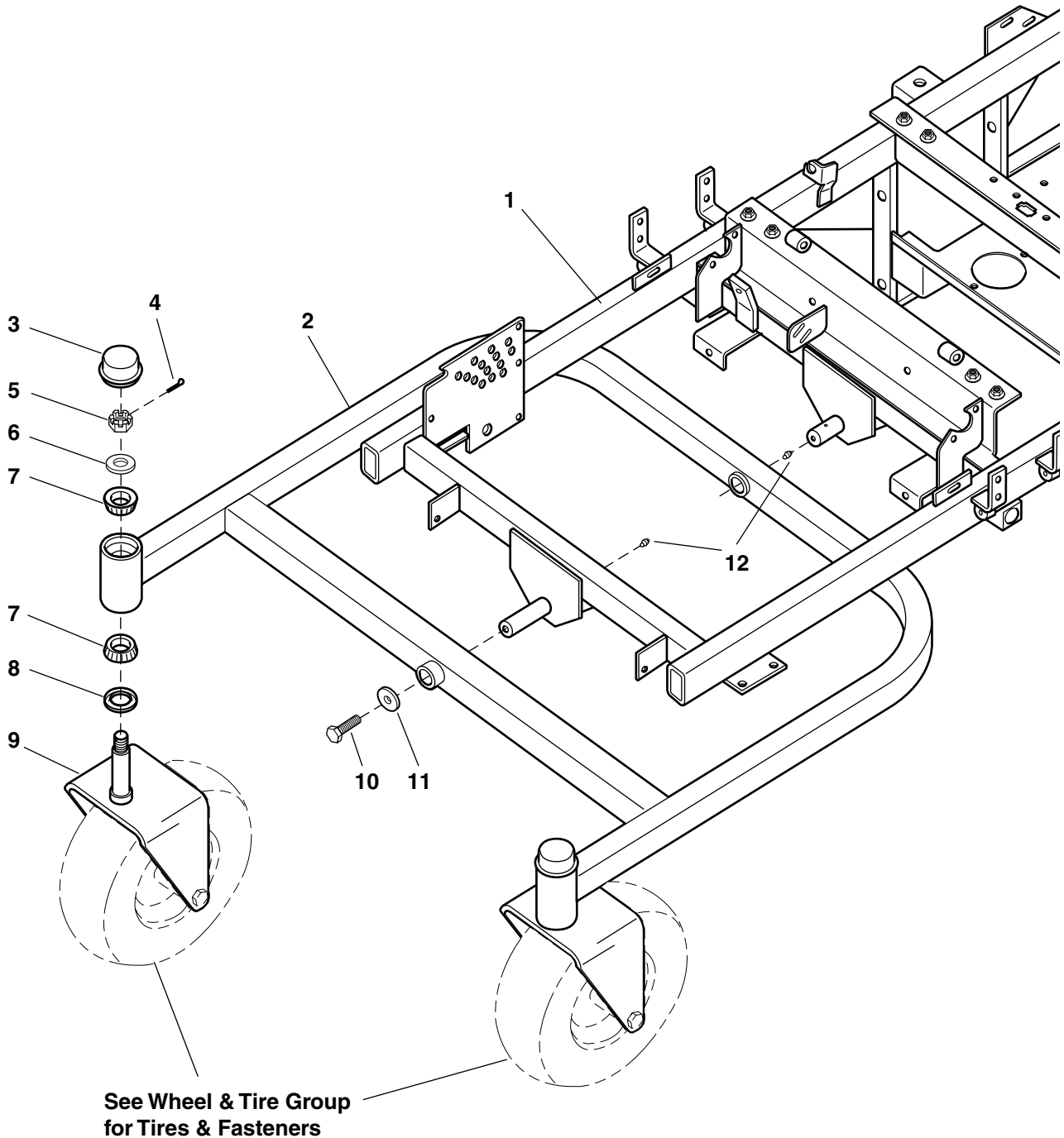
52" Mower Housing, Cover, Spindle & Blade Group	.42
52" Mower Drive Group	.44
52" Mower Rear Mount Group	.46
61" Mower Housing, Cover, Spindle & Blade Group	.48
61" Mower Drive Group	.50
61" Mower Rear Mount Group	.52
52" & 61" Mower Deck Roller Group	.54

REFERENCE INFORMATION:

Torque Specification Chart	.Inside Back Cover
----------------------------	--------------------

Front Pivot Frame & Main Frame Group

NOTE: Unless noted otherwise,
use the standard hardware torque
specification chart.



The above parts group applies to the following Model Nos.:

ISZKAV23/52	ISZ 23 HP Kawasaki Rider w/ 52" Mower
ISZKAV23/61	ISZ 23 HP Kawasaki Rider w/ 61" Mower
ISZ25K/52	ISZ 25 HP Kohler Rider w/ 52" Mower
ISZ25K/61	ISZ 25 HP Kohler Rider w/ 61" Mower

Front Pivot Frame & Main Frame Group

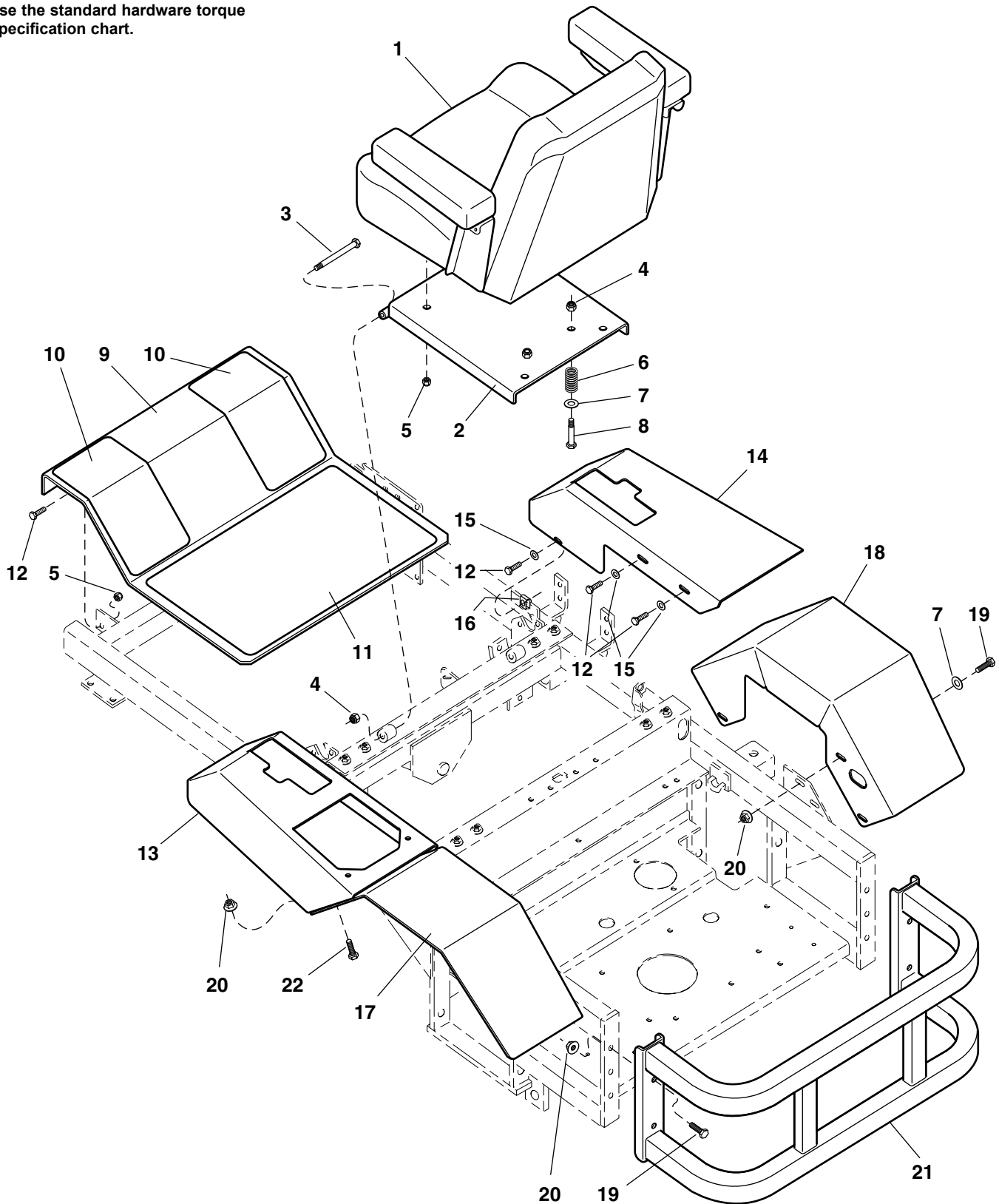
REF NO.	PART NO.	QTY.	DESCRIPTION
1	45586	1	MAIN FRAME
2	44908	1	FRONT PIVOT FRAME
3	21073	2	CAP
4	25203-10	2	PIN, Cotter
5	25104	2	NUT, Hex, Slotted, 3/4-16
6	25160	2	WASHER, 3/4
7	20884	4	BEARING, Tapered Roller
8	21072	2	SEAL, Grease
9	44914	2	YOKE, Caster
10	25018-10	1	CAPSCREW, Hex Hd, 1/2-20 x 1-1/4
11	44913	1	RETAINER, Frame
12	20095	2	GREASE FITTING

The above parts group applies to the following Model Nos.:

ISZKAV23/52	ISZ 23 HP Kawasaki Rider w/ 52" Mower
ISZKAV23/61	ISZ 23 HP Kawasaki Rider w/ 61" Mower
ISZ25K/52	ISZ 25 HP Kohler Rider w/ 52" Mower
ISZ25K/61	ISZ 25 HP Kohler Rider w/ 61" Mower

Seat, Floor, Control Cover, Fender & Bumper Group

NOTE: Unless noted otherwise,
use the standard hardware torque
specification chart.



The above parts group applies to the following Model Nos.:

ISZKAV23/52	ISZ 23 HP Kawasaki Rider w/ 52" Mower
ISZKAV23/61	ISZ 23 HP Kawasaki Rider w/ 61" Mower
ISZ25K/52	ISZ 25 HP Kohler Rider w/ 52" Mower
ISZ25K/61	ISZ 25 HP Kohler Rider w/ 61" Mower

Seat, Floor, Control Cover, Fender & Bumper Group

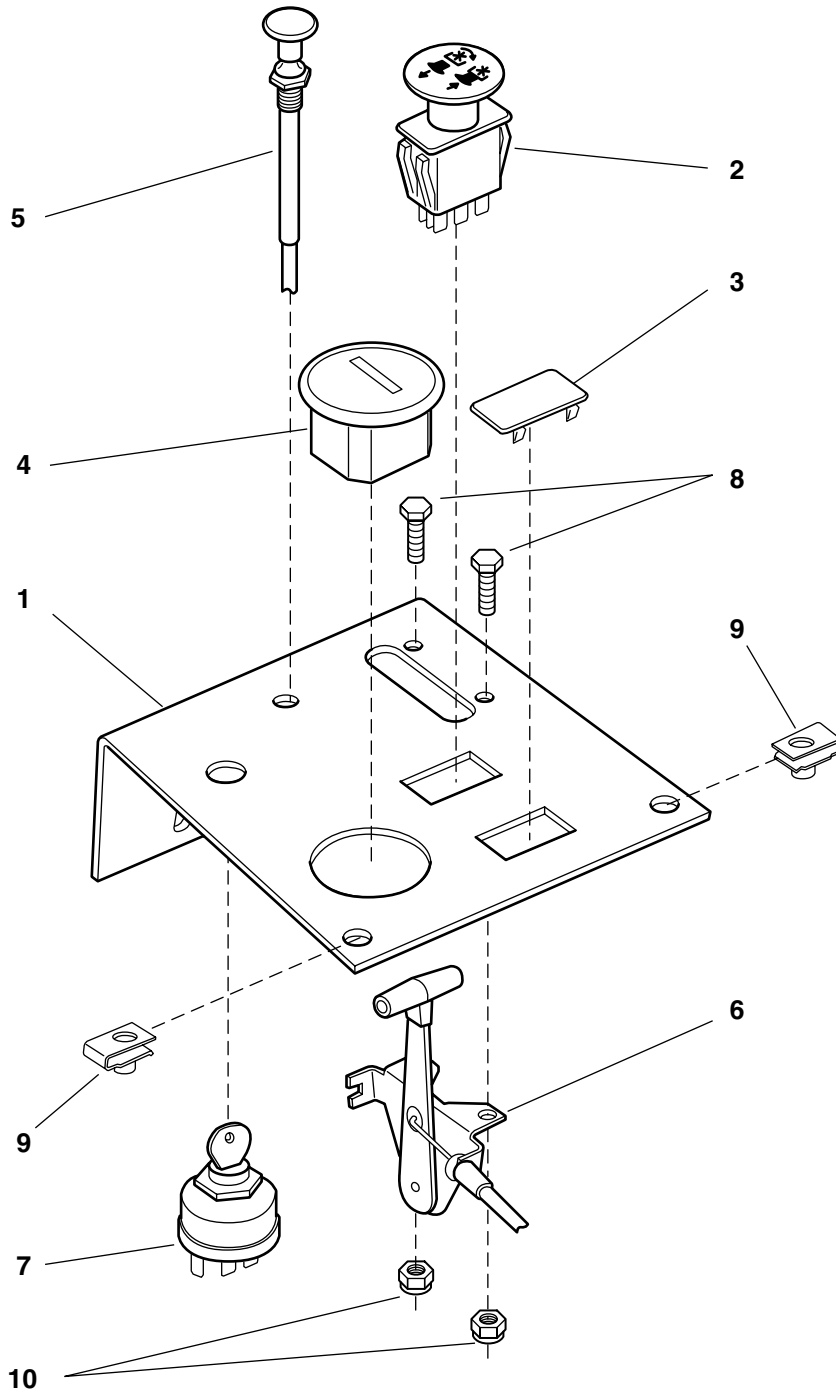
REF NO.	PART NO.	QTY.	DESCRIPTION
1	22031	1	SEAT
*	22031-1	1	CUSHION, Seat, Gray
*	20930-9	1	CUSHION, Back, Gray
*	22440	2	ARM REST, Black
2	45156	1	SEAT MOUNT PLATE
3	25013-32	2	CAPSCREW, Hex Hd, 3/8-16 x 4
4	25096	4	NUT, Hex, Nylon Lock, 3/8-16
5	25057	6	NUT, Hex, Nylon Lock, 5/16-18
6	21102	2	SPRING, Compression
7	25156	8	WASHER, 3/8
8	25013-18	2	CAPSCREW, Hex Hd, 3/8-16 x 2-1/4
9	45333	1	FLOOR
10	45915	2	SAFETY WALK
11	44873	1	SAFETY WALK
12	25011-8	8	CAPSCREW, Hex Hd, 5/16-18 x 1
13	45933	1	COVER, Control-LH
14	45935	1	COVER, Control-RH
15	25155	6	WASHER, 5/16
16	22308	6	BODY CLIP, 5/16-18
17	45930	1	FENDER, LH
18	45928	1	FENDER, RH
19	25013-8	10	CAPSCREW, Hex Hd, 3/8-16 x 1
20	25128	12	NUT, Hex, Serrated Flange, 3/8-16
21	45384	1	BUMPER
22	25013-6	2	CAPSCREW, Hex Hd, 3/8-16 x 3/4

The above parts group applies to the following Model Nos.:

ISZKAV23/52	ISZ 23 HP Kawasaki Rider w/ 52" Mower
ISZKAV23/61	ISZ 23 HP Kawasaki Rider w/ 61" Mower
ISZ25K/52	ISZ 25 HP Kohler Rider w/ 52" Mower
ISZ25K/61	ISZ 25 HP Kohler Rider w/ 61" Mower

Instrument Panel Group

NOTE: Unless noted otherwise,
use the standard hardware torque
specification chart.



The above parts group applies to the following Model Nos.:

ISZKAV23/52	ISZ 23 HP Kawasaki Rider w/ 52" Mower
ISZKAV23/61	ISZ 23 HP Kawasaki Rider w/ 61" Mower
ISZ25K/52	ISZ 25 HP Kohler Rider w/ 52" Mower
ISZ25K/61	ISZ 25 HP Kohler Rider w/ 61" Mower

Instrument Panel Group

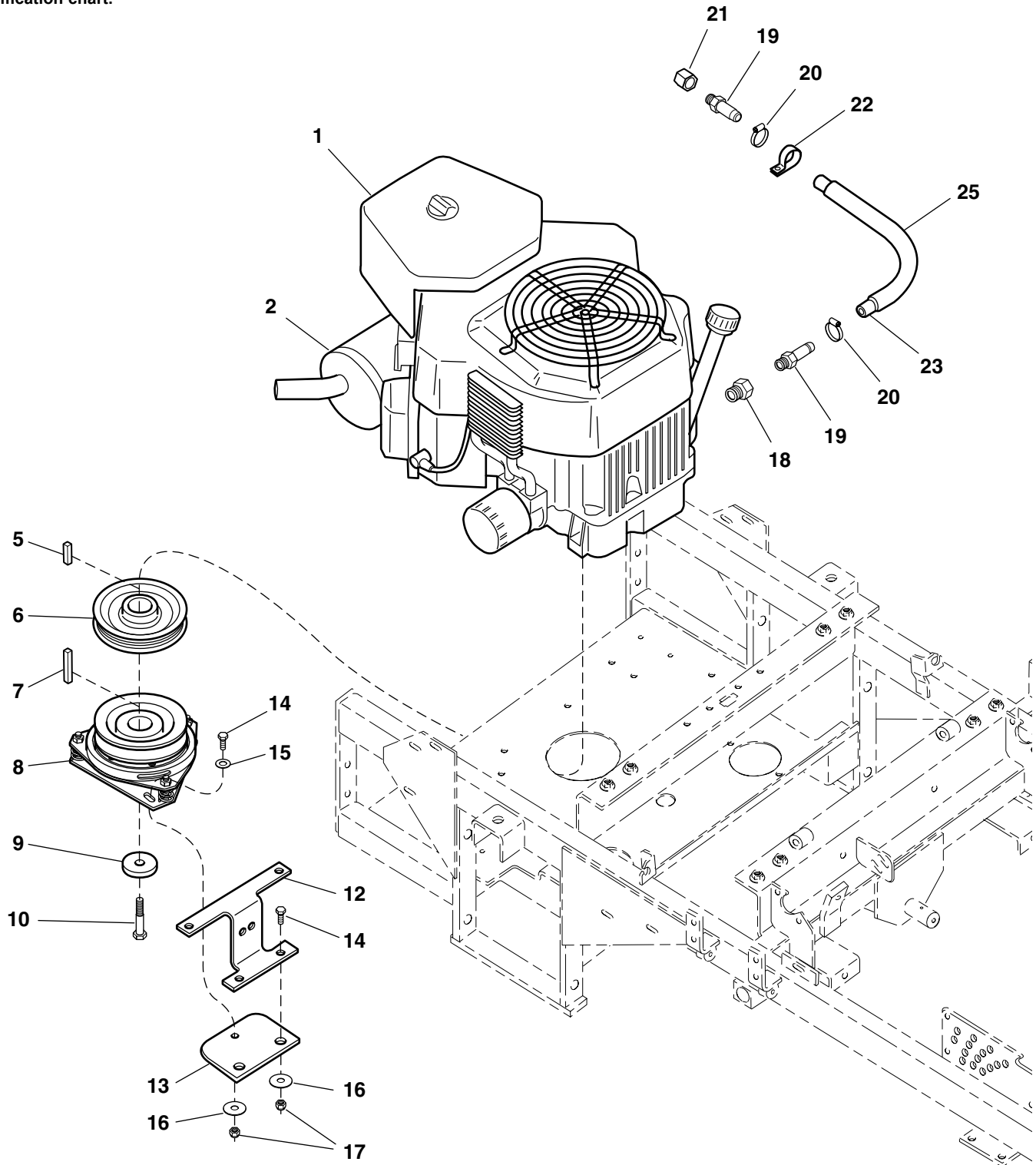
REF NO.	PART NO.	QTY.	DESCRIPTION
1	45937	1	PANEL, Instrument
2	22180	1	SWITCH, PTO
3	1709188	1	HOLE PLUG
4	20060	1	HOURMETER
5	21663	1	CABLE, Choke (Kawasaki)
5	21675	1	CABLE, Choke (Kohler)
6	21662	1	CABLE, Throttle
7	20927	1	SWITCH, Ignition
8	25010-6	2	CAPSCREW, Hex Hd, 1/4-20 x 3/4
9	22308	2	BODY CLIP, 5/16-18
10	25126	2	NUT, Hex, Nylon Lock, 1/4-20

The above parts group applies to the following Model Nos.:

ISZKAV23/52	ISZ 23 HP Kawasaki Rider w/ 52" Mower
ISZKAV23/61	ISZ 23 HP Kawasaki Rider w/ 61" Mower
ISZ25K/52	ISZ 25 HP Kohler Rider w/ 52" Mower
ISZ25K/61	ISZ 25 HP Kohler Rider w/ 61" Mower

Engine & PTO Group

NOTE: Unless noted otherwise, use the standard hardware torque specification chart.



The above parts group applies to the following Model Nos.:

ISZKAV23/52	ISZ 23 HP Kawasaki Rider w/ 52" Mower
ISZKAV23/61	ISZ 23 HP Kawasaki Rider w/ 61" Mower
ISZ25K/52	ISZ 25 HP Kohler Rider w/ 52" Mower
ISZ25K/61	ISZ 25 HP Kohler Rider w/ 61" Mower

Engine & PTO Group

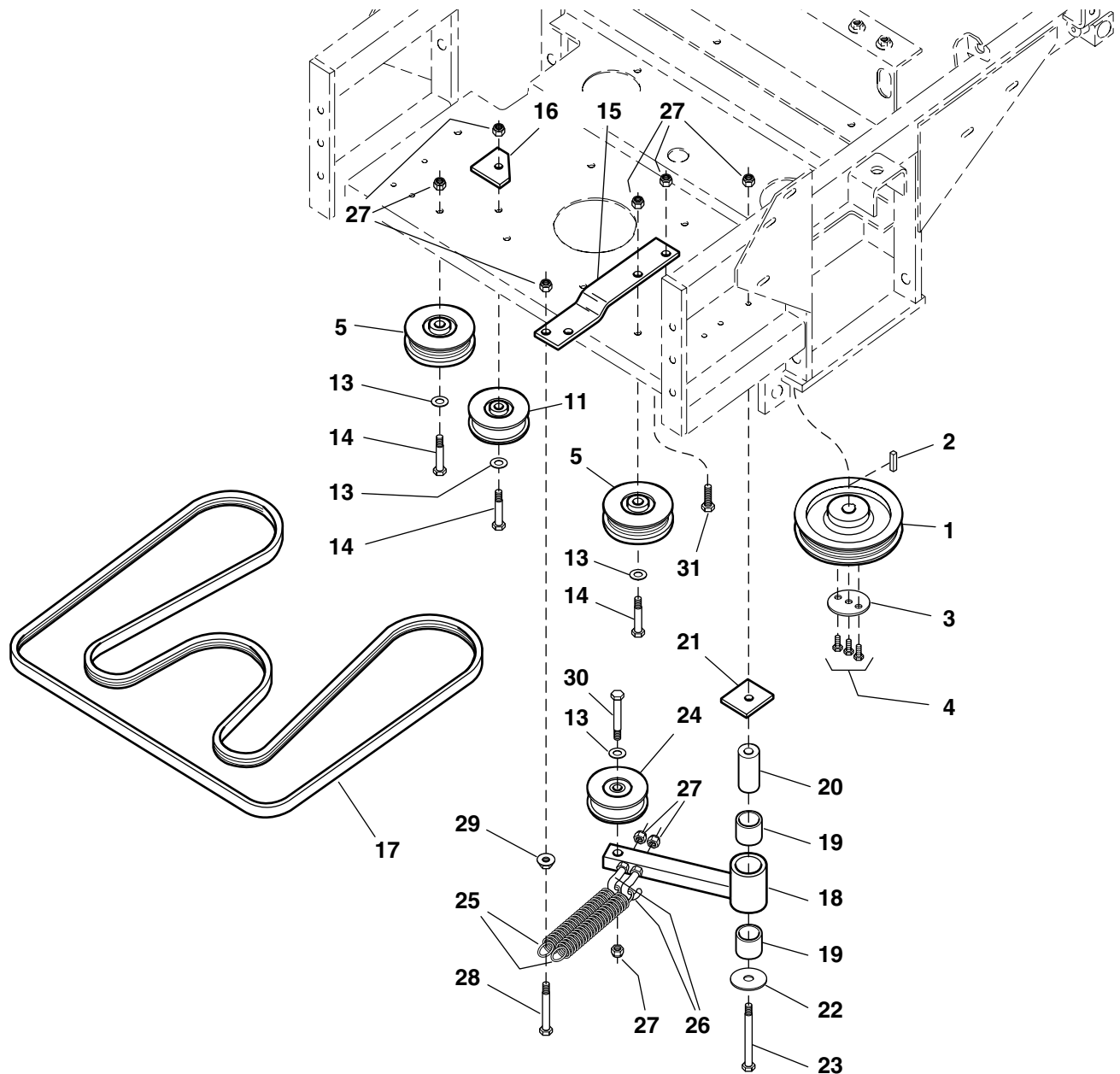
REF NO.	PART NO.	QTY.	DESCRIPTION
1	22069	1	ENGINE, 25 HP Kohler
2	22161	1	MUFFLER, Kohler
3	22232	1	ENGINE, 23 HP Kawasaki (not shown)
4	45417	1	HEAT SHIELD, Kawasaki Muffler (not shown)
5	50407-1	1	KEY, 1/4 x 1
6	22154	1	PULLEY, Crankshaft
7	50407-3	1	KEY, 1/4 x 2
8	22334	1	ELECTRIC CLUTCH
9	45475	1	RETAINER, Clutch
10	45938	1	CRANKSHAFT BOLT, 7/16 x 2.25 (Kohler)
11	45473	1	CRANKSHAFT BOLT, 7/16 x 1.75 (Kawasaki)
12	45474	1	ANCHOR, Clutch
13	43636	1	PAD, Clutch Anchor
14	25011-6	3	CAPSCREW, Hex Hd, 5/16-18 x 3/4
15	25155	1	WASHER, 5/16
16	25165	3	WASHER, Fender, 5/16
17	25057	3	NUT, Hex, Nylon Lock, 5/16-18
18	22234	1	ADAPTER, Oil Drain (Kawasaki ONLY)
19	21372	2	FITTING, 3/8NPT - 1/2 Str.
20	21392	2	HOSE CLAMP
21	21466	1	CAP, 3/8NPT
22	21500	1	CLAMP, Vinyl
23	50857-16	1	HOSE, Oil Drain (Kohler)
24	50857-14	1	HOSE, Oil Drain (Kawasaki)
25	50862-14	1	COVER, Drain Hose(Kohler)
26	50862-12	1	COVER, Drain Hose (Kawasaki)

The above parts group applies to the following Model Nos.:

ISZKAV23/52	ISZ 23 HP Kawasaki Rider w/ 52" Mower
ISZKAV23/61	ISZ 23 HP Kawasaki Rider w/ 61" Mower
ISZ25K/52	ISZ 25 HP Kohler Rider w/ 52" Mower
ISZ25K/61	ISZ 25 HP Kohler Rider w/ 61" Mower

Pump Drive Group

NOTE: Unless noted otherwise,
use the standard hardware torque
specification chart.



The above parts group applies to the following Model Nos.:

ISZKAV23/52	ISZ 23 HP Kawasaki Rider w/ 52" Mower
ISZKAV23/61	ISZ 23 HP Kawasaki Rider w/ 61" Mower
ISZ25K/52	ISZ 25 HP Kohler Rider w/ 52" Mower
ISZ25K/61	ISZ 25 HP Kohler Rider w/ 61" Mower

Pump Drive Group

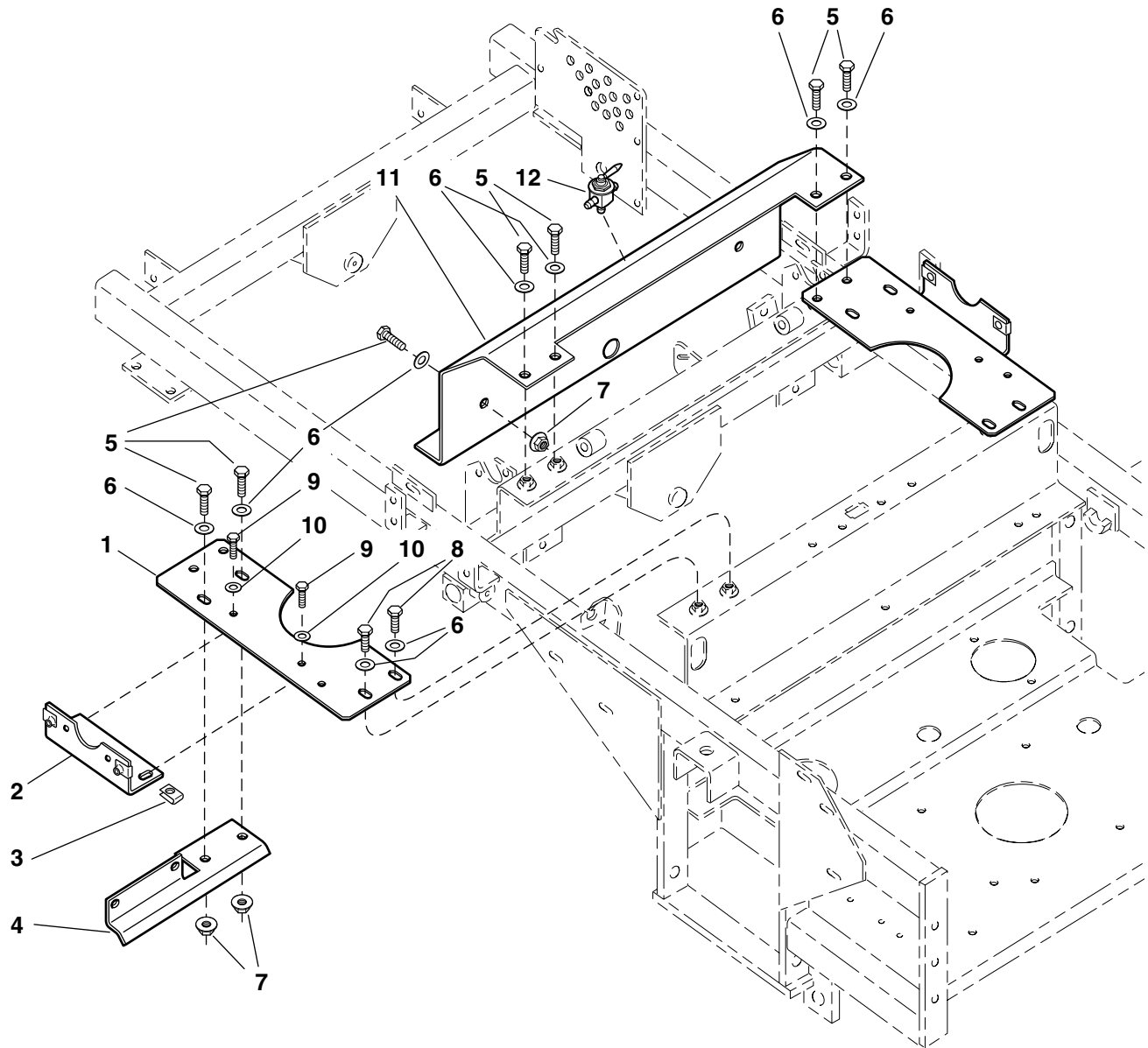
REF NO.	PART NO.	QTY.	DESCRIPTION
1	22155	2	PULLEY, Pump Drive
2	22156	2	KEY, 5mm x 25mm
3	45143	2	RETAINER, Pulley
4	25248	6	CAPSCREW, Hex Hd, M6 x 10mm
5	60020	2	IDLER PULLEY ASSEMBLY, Complete (includes Ref 6, 7, 8, 9 & 10)
6	20827	8	BEARING
7	20865	4	SNAP RING
8	20880	4	INSERT
9	21879	4	INSERT, Shoulder
10	45073	2	PULLEY, Idler, Grooved
11	60021	1	IDLER PULLEY ASSEMBLY, Complete (includes Ref 6, 7, 8, 9 & 12)
12	45140	2	PULLEY, Idler, Smooth
13	25156	4	WASHER, 3/8
14	25013-18	3	CAPSCREW, Hex Hd, 3-8-16 x 2-1/4
15	45396	1	SPRING ANCHOR
16	45144	1	PULLEY SUPPORT
17	22062	1	BELT, Grooved
18	45132	1	IDLER ARM ASSEMBLY, Complete (includes Ref 19)
19	22157	2	BUSHING, Brass
20	45135	1	SHAFT, Idler Pivot
21	45090	1	SPACER, Idler Pivot
22	45139	1	RETAINER, Idler Arm
23	25013-32	1	CAPSCREW, Hex Hd, 3/8-16 x 4
24	60040	1	IDLER PULLEY ASSEMBLY, Complete (includes Ref 6, 7, 8, 9 & 12)
25	20807	2	SPRING, Extension
26	25290	2	SCREW HOOK
27	25096	10	NUT, Hex, Nylon Lock, 3/8-16
28	25013-20	2	CAPSCREW, Hex Hd, 3/8-16 x 2-1/2
29	25128	2	NUT, Hex, Serrated Flange, 3/8-16
30	25013-22	1	CAPSCREW, Hex Hd, 3/8-16 x 2-3/4
31	25013-8	1	CAPSCREW, Hex Hd, 3/8-16 x 1

The above parts group applies to the following Model Nos.:

ISZKAV23/52	ISZ 23 HP Kawasaki Rider w/ 52" Mower
ISZKAV23/61	ISZ 23 HP Kawasaki Rider w/ 61" Mower
ISZ25K/52	ISZ 25 HP Kohler Rider w/ 52" Mower
ISZ25K/61	ISZ 25 HP Kohler Rider w/ 61" Mower

Brake Cover & Control Cover Mount Group

NOTE: Unless noted otherwise,
use the standard hardware torque
specification chart.



The above parts group applies to the following Model Nos.:

ISZKAV23/52	ISZ 23 HP Kawasaki Rider w/ 52" Mower
ISZKAV23/61	ISZ 23 HP Kawasaki Rider w/ 61" Mower
ISZ25K/52	ISZ 25 HP Kohler Rider w/ 52" Mower
ISZ25K/61	ISZ 25 HP Kohler Rider w/ 61" Mower

Brake Cover & Control Cover Mount Group

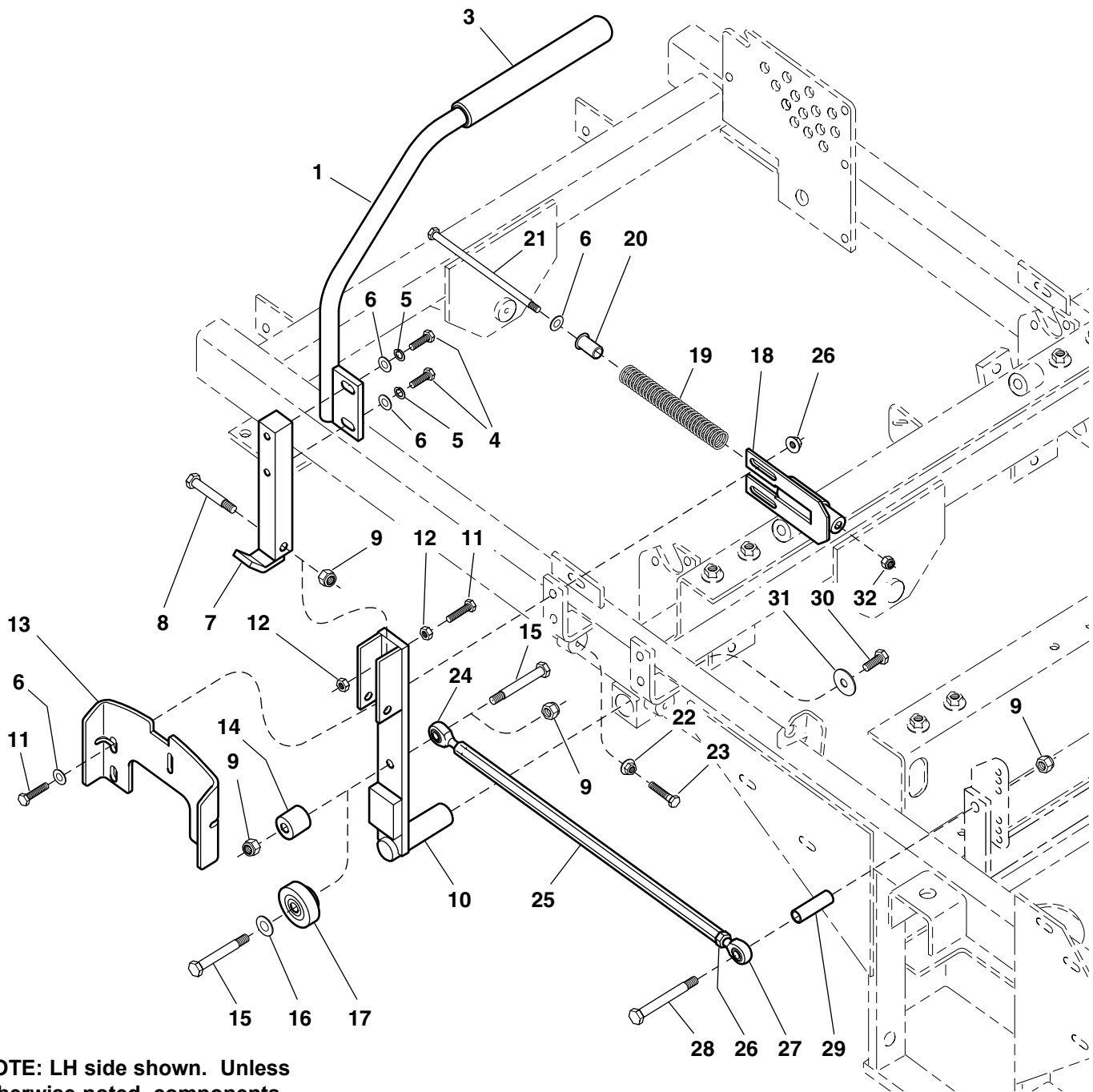
REF NO.	PART NO.	QTY.	DESCRIPTION
1	45936	2	COVER MOUNT PLATE
2	45892	2	BRACKET, Cover Mount
3	22308	8	BODY CLIP, 5/16-18
4	45931	1	INSTRUMENT PANEL MOUNT
5	25013-8	8	CAPSCREW, Hex Hd, 3/8-16 x 1
6	25156	14	WASHER, 3/8
7	25128	4	NUT, Hex, Serrated Flange, 3/8-16
8	25013-6	4	CAPSCREW, Hex Hd, 3/8-16 x 3/4
9	25011-8	4	CAPSCREW, Hex Hd, 5/16-18 x 1
10	25155	4	WASHER, 5/16
11	45634	1	BRAKE COVER PANEL
12	22030	1	VALVE, Fuel Shut Off

The above parts group applies to the following Model Nos.:

ISZKAV23/52	ISZ 23 HP Kawasaki Rider w/ 52" Mower
ISZKAV23/61	ISZ 23 HP Kawasaki Rider w/ 61" Mower
ISZ25K/52	ISZ 25 HP Kohler Rider w/ 52" Mower
ISZ25K/61	ISZ 25 HP Kohler Rider w/ 61" Mower

Motion Control Group - Upper

NOTE: Unless noted otherwise,
use the standard hardware torque
specification chart.



NOTE: LH side shown. Unless
otherwise noted, components
are identical for the RH side.

The above parts group applies to the following Model Nos.:

ISZKAV23/52	ISZ 23 HP Kawasaki Rider w/ 52" Mower
ISZKAV23/61	ISZ 23 HP Kawasaki Rider w/ 61" Mower
ISZ25K/52	ISZ 25 HP Kohler Rider w/ 52" Mower
ISZ25K/61	ISZ 25 HP Kohler Rider w/ 61" Mower

Motion Control Group - Upper

REF NO.	PART NO.	QTY.	DESCRIPTION
1	45912	1	MOTION CONTROL LEVER-LH
2	45913	1	MOTION CONTROL LEVER-RH (not shown)
3	22068	2	FOAM GRIP
4	25011-6	4	CAPSCREW, Hex Hd, 5/16-18 x 3/4
5	25170	4	WASHER, Lock, 5/16
6	25155	14	WASHER, 5/16
7	45901	2	BASE, Control Lever
8	25013-16	2	CAPSCREW, Hex Hd, 3/8-16 x 2
9	25096	8	NUT, Hex, Nylon Lock, 3/8-16
10	45626	2	MOTION CONTROL ARM
11	25011-8	10	CAPSCREW, Hex Hd, 5/16-18 x 1
12	25032	4	NUT, Hex, 5/16-18
13	45902	2	NEUTRAL LOCK PLATE
14	45942	2	SPACER (SN: 2269-2503 only)
15	25013-18	2	CAPSCREW, Hex Hd, 3/8-16 x 2-1/4
16	25156	2	WASHER, 3/8
17	45948	2	BEARING & INSERT ASSEMBLY, Complete (SN: 2504 & up)
*	20827	2	Bearing
*	21879	2	Insert
18	45939	2	REVERSE SPRING MOUNT
19	22421	2	SPRING, Compression
20	22290	2	BUSHING, Flange
21	25011-56	8	CAPSCREW, Hex Hd, 5/16-18 x 7
22	25127	12	NUT, Hex, Serrated Flange, 5/16-18
23	25011-10	4	CAPSCREW, Hex Hd, 5/16-18 x 1-1/4
24	22047	2	BALL JOINT, 3/8, LH
25	44958	2	HEX ROD, Long
26	25035	2	NUT, Hex, 3/8-24
27	21124	2	BALL JOINT, 3/8
28	25013-24	2	CAPSCREW, Hex Hd, 3/8-16 x 3
29	44992	2	SPACER
30	25199-6	2	CAPSCREW, Hex Hd, Loctite Patch, 3/8-16 x 3/4
31	25165	2	WASHER, Fender, 3/8
32	25045	2	NUT, Hex, Nylon Lock, 5/16-18

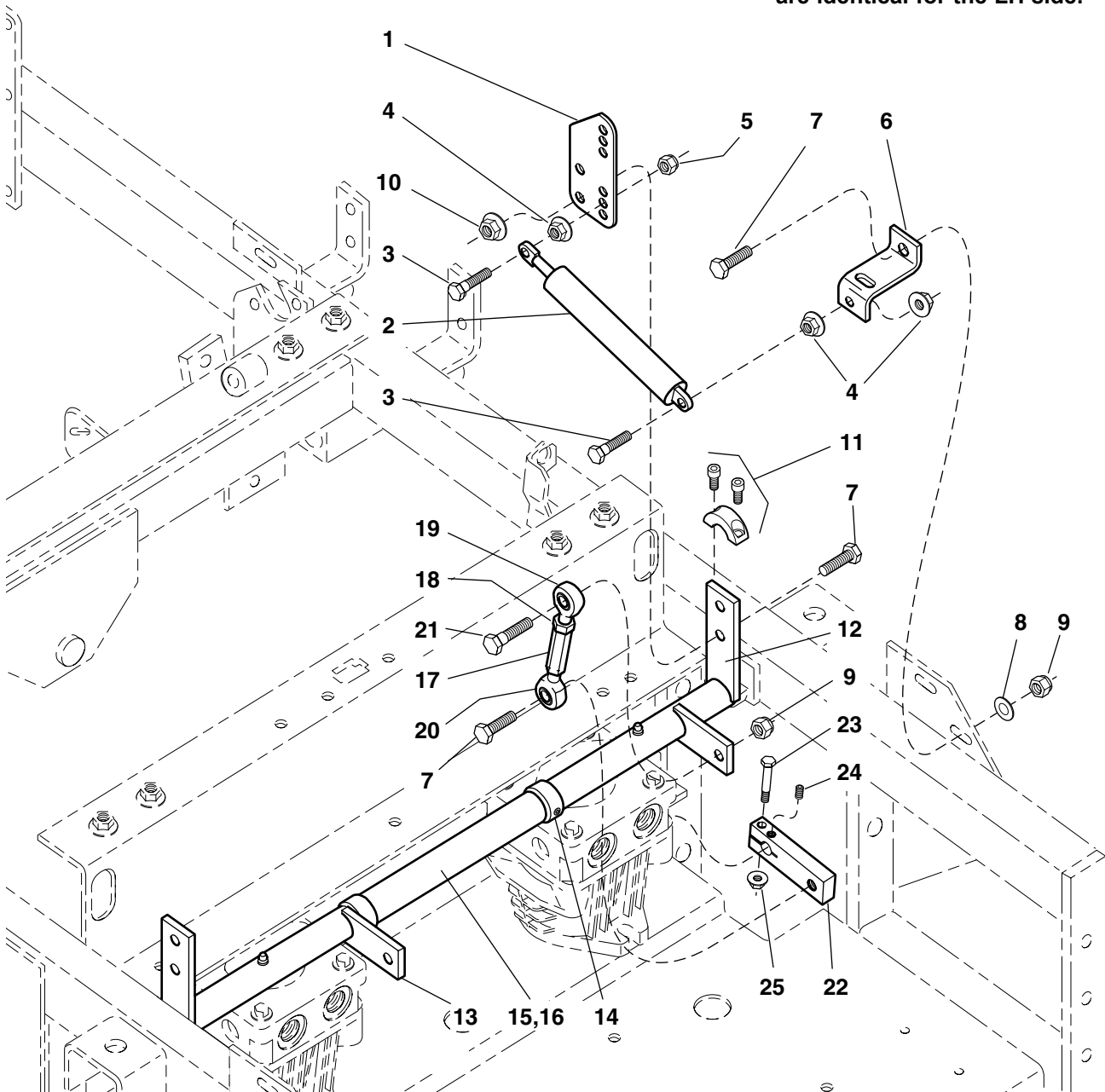
The above parts group applies to the following Model Nos.:

ISZKAV23/52	ISZ 23 HP Kawasaki Rider w/ 52" Mower
ISZKAV23/61	ISZ 23 HP Kawasaki Rider w/ 61" Mower
ISZ25K/52	ISZ 25 HP Kohler Rider w/ 52" Mower
ISZ25K/61	ISZ 25 HP Kohler Rider w/ 61" Mower

Motion Control Group - Lower

NOTE: Unless noted otherwise,
use the standard hardware torque
specification chart.

NOTE: RH side shown. Unless
otherwise noted, components
are identical for the LH side.



The above parts group applies to the following Model Nos.:

ISZKAV23/52	ISZ 23 HP Kawasaki Rider w/ 52" Mower
ISZKAV23/61	ISZ 23 HP Kawasaki Rider w/ 61" Mower
ISZ25K/52	ISZ 25 HP Kohler Rider w/ 52" Mower
ISZ25K/61	ISZ 25 HP Kohler Rider w/ 61" Mower

Motion Control Group - Lower

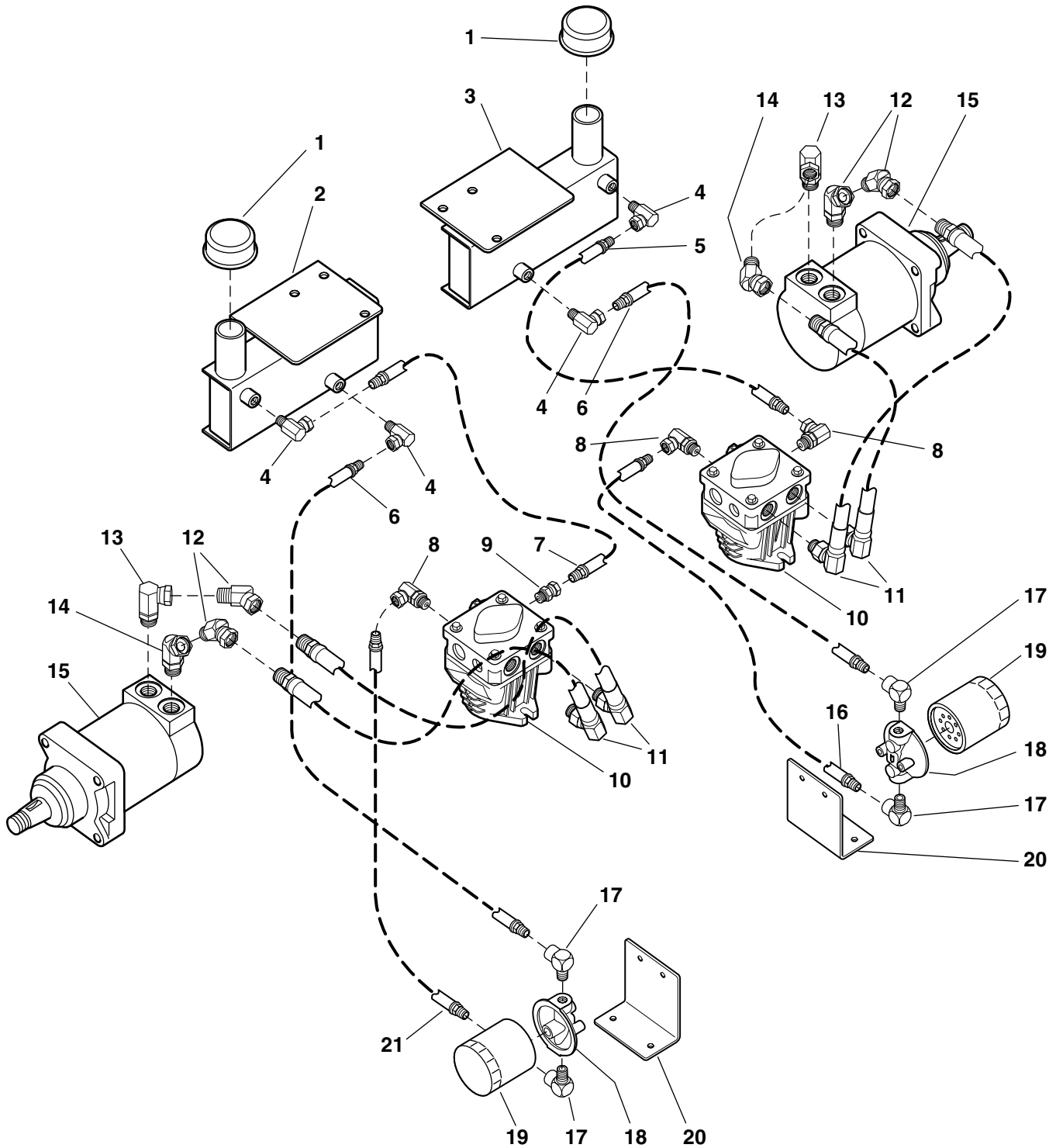
REF NO.	PART NO.	QTY.	DESCRIPTION
1	1845880	2	DAMPENER MOUNT PLATE
2	22360	2	DAMPENER
3	25011-10	6	CAPSCREW, Hex Hd, 5/16-18 x 1-1/4
4	25127	10	NUT, Hex, Serrated Flange, 5/16-18
5	25057	2	NUT, Hex, Nylon Lock, 5/16-18
6	1845888	2	DAMPENER MOUNT, Rear
7	25013-8	6	CAPSCREW, Hex Hd, 3/8-16 x 1
8	25156	2	WASHER, 3/8
9	25096	4	NUT, Hex, Nylon Lock, 3/8-16
10	25128	2	NUT, Hex, Serrated Flange, 3/8-16
11	20594	2	COLLAR, 3/4 Double Split
12	1845264	1	HYDRO CONTROL LEVER-RH
13	1844952	1	HYDRO CONTROL LEVER-LH
14	10116	2	COLLAR, 3/4 Set
15	44950	1	SHAFT, Control Pivot (hidden by cover)
16	45350	1	COVER, Control Shaft
17	44957	2	HEX ROD, Short
18	25035	2	NUT, Hex, 3/8-24
19	21124	2	BALL JOINT, 3/8
20	22047	2	BALL JOINT, 3/8, LH
21	25013-10	2	CAPSCREW, Hex Hd, 3/8-16 x 1-1/4
22	44956	2	PUMP CONTROL ARM
23	25010-10	2	CAPSCREW, Hex Hd, 1/4-20 x 1-1/4
24	25283-3	2	SET SCREW, Cone, 1/4-20 x 3/8
25	25126	2	NUT, Hex, Serrated Flange, 1/4-20

The above parts group applies to the following Model Nos.:

ISZKAV23/52	ISZ 23 HP Kawasaki Rider w/ 52" Mower
ISZKAV23/61	ISZ 23 HP Kawasaki Rider w/ 61" Mower
ISZ25K/52	ISZ 25 HP Kohler Rider w/ 52" Mower
ISZ25K/61	ISZ 25 HP Kohler Rider w/ 61" Mower

Hydraulic Group

NOTE: Unless noted otherwise,
use the standard hardware torque
specification chart.



The above parts group applies to the following Model Nos.:

- | | |
|-------------|---------------------------------------|
| ISZKAV23/52 | ISZ 23 HP Kawasaki Rider w/ 52" Mower |
| ISZKAV23/61 | ISZ 23 HP Kawasaki Rider w/ 61" Mower |
| ISZ25K/52 | ISZ 25 HP Kohler Rider w/ 52" Mower |
| ISZ25K/61 | ISZ 25 HP Kohler Rider w/ 61" Mower |

Hydraulic Group

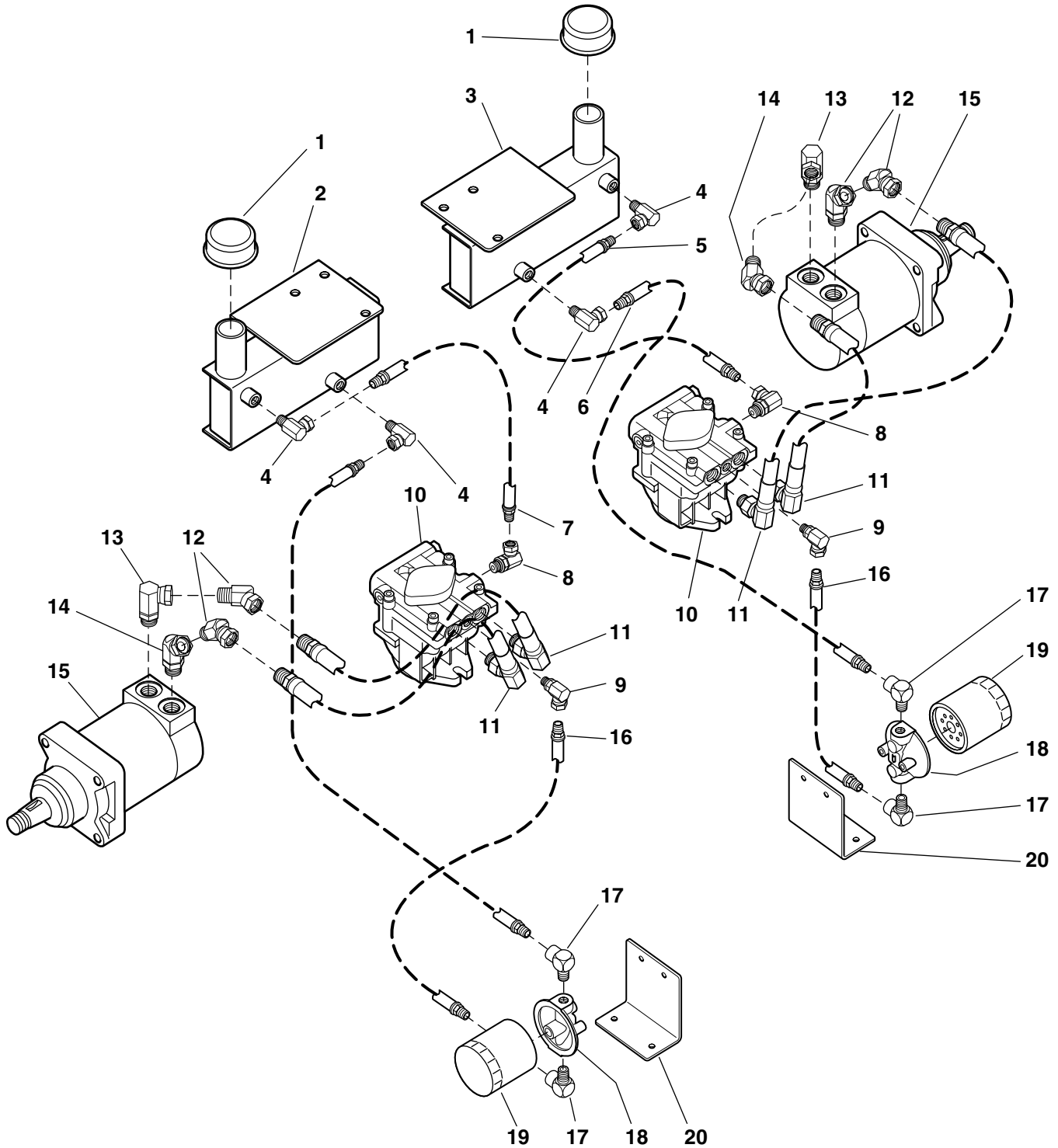
REF NO.	PART NO.	QTY.	DESCRIPTION
1	21871	2	BREATHER
2	45269	1	HYDRO TANK, LH
3	45270	1	HYDRO TANK, RH
4	22108	4	FITTING, 1/4 NPT, 90 Deg. Swivel
5	45953	1	HOSE ASSEMBLY-24" (pump-to-tank, RH)
6	45949	2	HOSE ASSEMBLY-13" (tank-to-filter)
7	45950	1	HOSE ASSEMBLY-14" (pump-to-tank, LH)
8	22453	3	FITTING, Hydraulic, O-Ring, 90 Deg. Swivel
9	22053	1	FITTING, Hydraulic, O-Ring, Str. Swivel
10	22338	2	HYDRAULIC PUMP
11	22046	4	HYDRAULIC HOSE ASSEMBLY
12	21361	4	FITTING, 1/2 NPT, 45 Deg. Swivel
13	21131	2	FITTING, Hydraulic, O-Ring, 90 Deg. Swivel
14	22210	2	FITTING, Hydraulic, O-Ring, 45 Deg. Swivel
15	22042	2	HYDRAULIC WHEEL MOTOR
*	22042-2	2	Key
*	22042-3	2	Nut
16	45952	1	HOSE ASSEMBLY-18" (filter-to-pump, RH)
17	22055	4	FITTING, 1/4 NPT, 90 Deg.
18	22027	2	FILTER BASE
19	22028	2	FILTER
20	44981	2	MOUNT, Filter Head
21	45951	1	HOSE ASSEMBLY-16" (filter-to-pump, LH)

The above parts group applies to the following Model Nos.:

ISZKAV23/52	ISZ 23 HP Kawasaki Rider w/ 52" Mower
ISZKAV23/61	ISZ 23 HP Kawasaki Rider w/ 61" Mower
ISZ25K/52	ISZ 25 HP Kohler Rider w/ 52" Mower
ISZ25K/61	ISZ 25 HP Kohler Rider w/ 61" Mower

Hydraulic Group

NOTE: Unless noted otherwise, use the standard hardware torque specification chart.



The above parts group applies to the following Model Nos.:

- | | |
|-------------|---------------------------------------|
| ISZKAV23/52 | ISZ 23 HP Kawasaki Rider w/ 52" Mower |
| ISZKAV23/61 | ISZ 23 HP Kawasaki Rider w/ 61" Mower |
| ISZ25K/52 | ISZ 25 HP Kohler Rider w/ 52" Mower |
| ISZ25K/61 | ISZ 25 HP Kohler Rider w/ 61" Mower |

Beginning Serial No.: 2504

Hydraulic Group

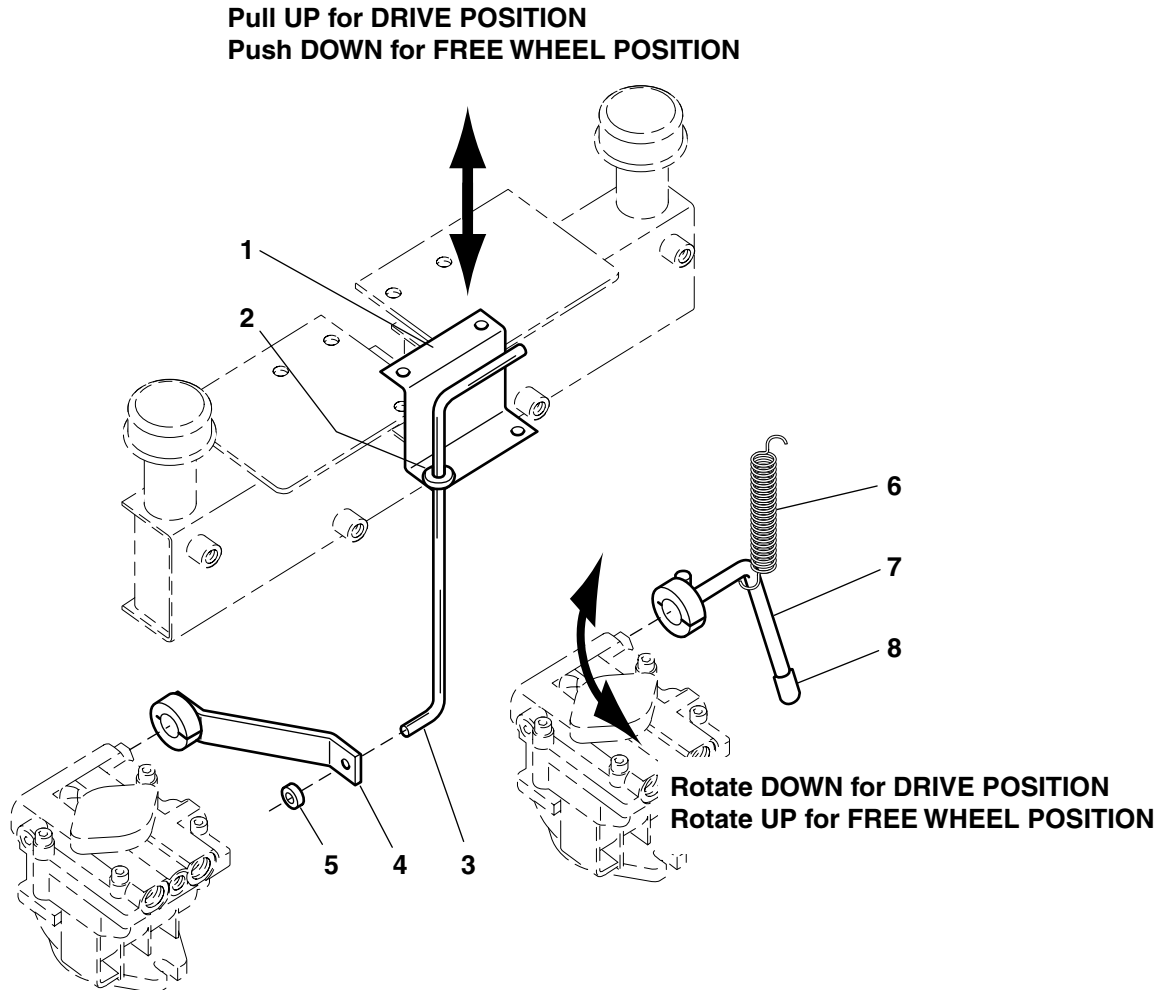
REF NO.	PART NO.	QTY.	DESCRIPTION
1	21871	2	BREATHER
2	45269	1	HYDRO TANK, LH
3	45270	1	HYDRO TANK, RH
4	22108	4	FITTING, 1/4 NPT, 90 Deg. Swivel
5	45953	1	HOSE ASSEMBLY-24" (pump-to-tank, RH)
6	45949	2	HOSE ASSEMBLY-13" (tank-to-filter)
7	45950	1	HOSE ASSEMBLY-14" (pump-to-tank, LH)
8	22453	2	FITTING, Hydraulic, O-Ring, 90 Deg. Swivel
9	21615	2	FITTING, Hydraulic, O-Ring, 90 Deg. Swivel
10	22033	2	HYDRAULIC PUMP
11	22046	4	HYDRAULIC HOSE ASSEMBLY
12	21361	4	FITTING, 1/2 NPT, 45 Deg. Swivel
13	21131	2	FITTING, Hydraulic, O-Ring, 90 Deg. Swivel
14	22210	2	FITTING, Hydraulic, O-Ring, 45 Deg. Swivel
15	22042	2	HYDRAULIC WHEEL MOTOR
*	22042-2	2	Key
*	22042-3	2	Nut
16	46035	1	HOSE ASSEMBLY-11" (filter-to-pump)
17	22055	4	FITTING, 1/4 NPT, 90 Deg.
18	22027	2	FILTER BASE
19	22028	2	FILTER
20	44981	2	MOUNT, Filter Head

The above parts group applies to the following Model Nos.:

ISZKAV23/52	ISZ 23 HP Kawasaki Rider w/ 52" Mower	} Beginning Serial No.: 2504
ISZKAV23/61	ISZ 23 HP Kawasaki Rider w/ 61" Mower	
ISZ25K/52	ISZ 25 HP Kohler Rider w/ 52" Mower	
ISZ25K/61	ISZ 25 HP Kohler Rider w/ 61" Mower	

Hydraulic Release Group

NOTE: Unless noted otherwise,
use the standard hardware torque
specification chart.



The above parts group applies to the following Model Nos.:

ISZKAV23/52	ISZ 23 HP Kawasaki Rider w/ 52" Mower
ISZKAV23/61	ISZ 23 HP Kawasaki Rider w/ 61" Mower
ISZ25K/52	ISZ 25 HP Kohler Rider w/ 52" Mower
ISZ25K/61	ISZ 25 HP Kohler Rider w/ 61" Mower

Beginning Serial No.: 2504

Hydraulic Release Group

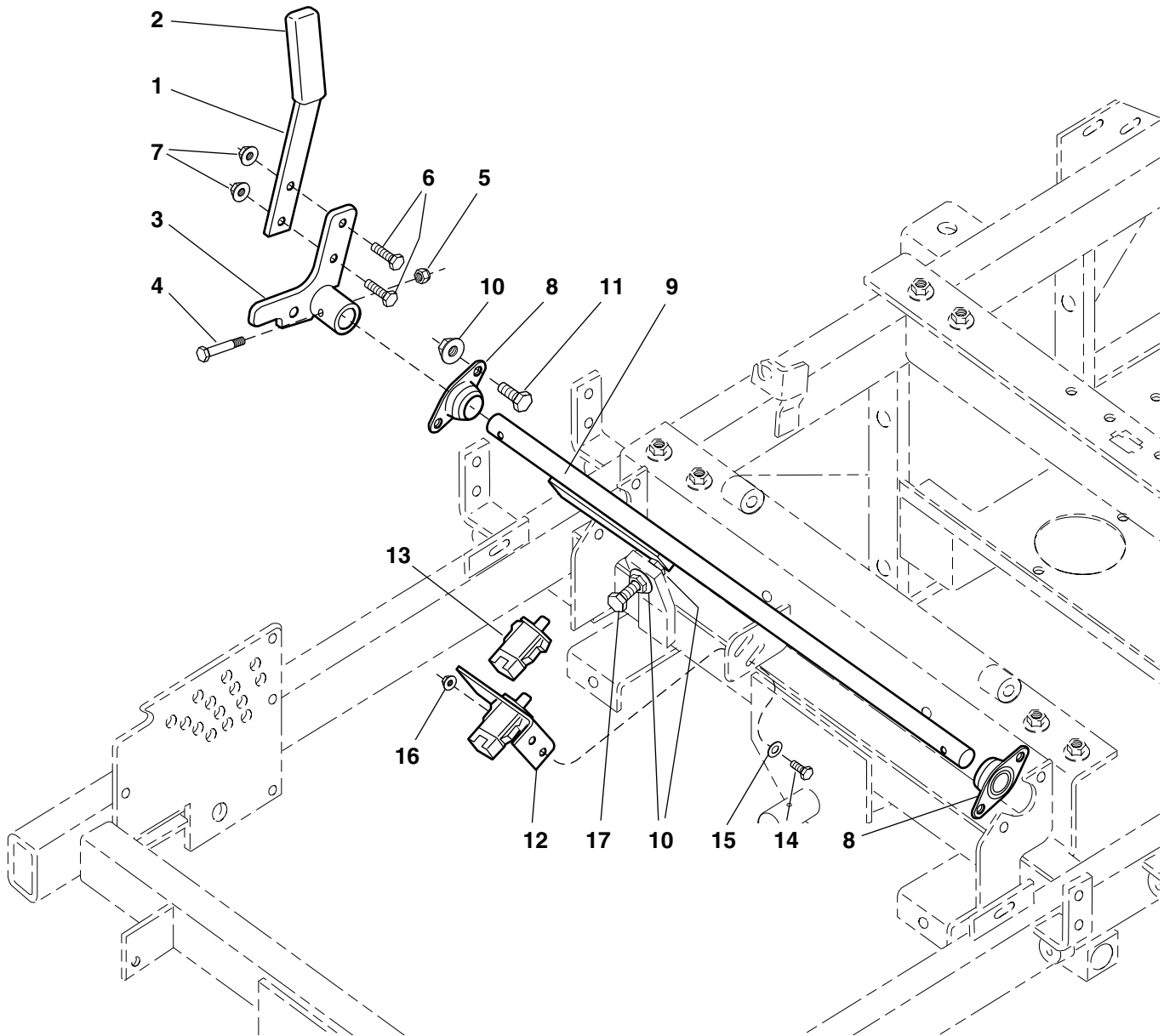
REF NO.	PART NO.	QTY.	DESCRIPTION
1	46032	1	ROD GUIDE PLATE
2	21076	1	GROMMET
3	46031	1	RELEASE ROD
4	46034	1	ARM, Hydraulic Release-LH
5	*****	1	COLLAR, 1/4 Set
6	20639	1	SPRING, Extension
7	46030	1	ARM, Hydraulic Release-RH
8	22419	1	VINYL CAP

The above parts group applies to the following Model Nos.:

ISZKAV23/52	ISZ 23 HP Kawasaki Rider w/ 52" Mower	} Beginning Serial No.: 2504
ISZKAV23/61	ISZ 23 HP Kawasaki Rider w/ 61" Mower	
ISZ25K/52	ISZ 25 HP Kohler Rider w/ 52" Mower	
ISZ25K/61	ISZ 25 HP Kohler Rider w/ 61" Mower	

Parking Brake Group - Upper

NOTE: Unless noted otherwise,
use the standard hardware torque
specification chart.



The above parts group applies to the following Model Nos.:

ISZKAV23/52	ISZ 23 HP Kawasaki Rider w/ 52" Mower
ISZKAV23/61	ISZ 23 HP Kawasaki Rider w/ 61" Mower
ISZ25K/52	ISZ 25 HP Kohler Rider w/ 52" Mower
ISZ25K/61	ISZ 25 HP Kohler Rider w/ 61" Mower

Parking Brake Group - Upper

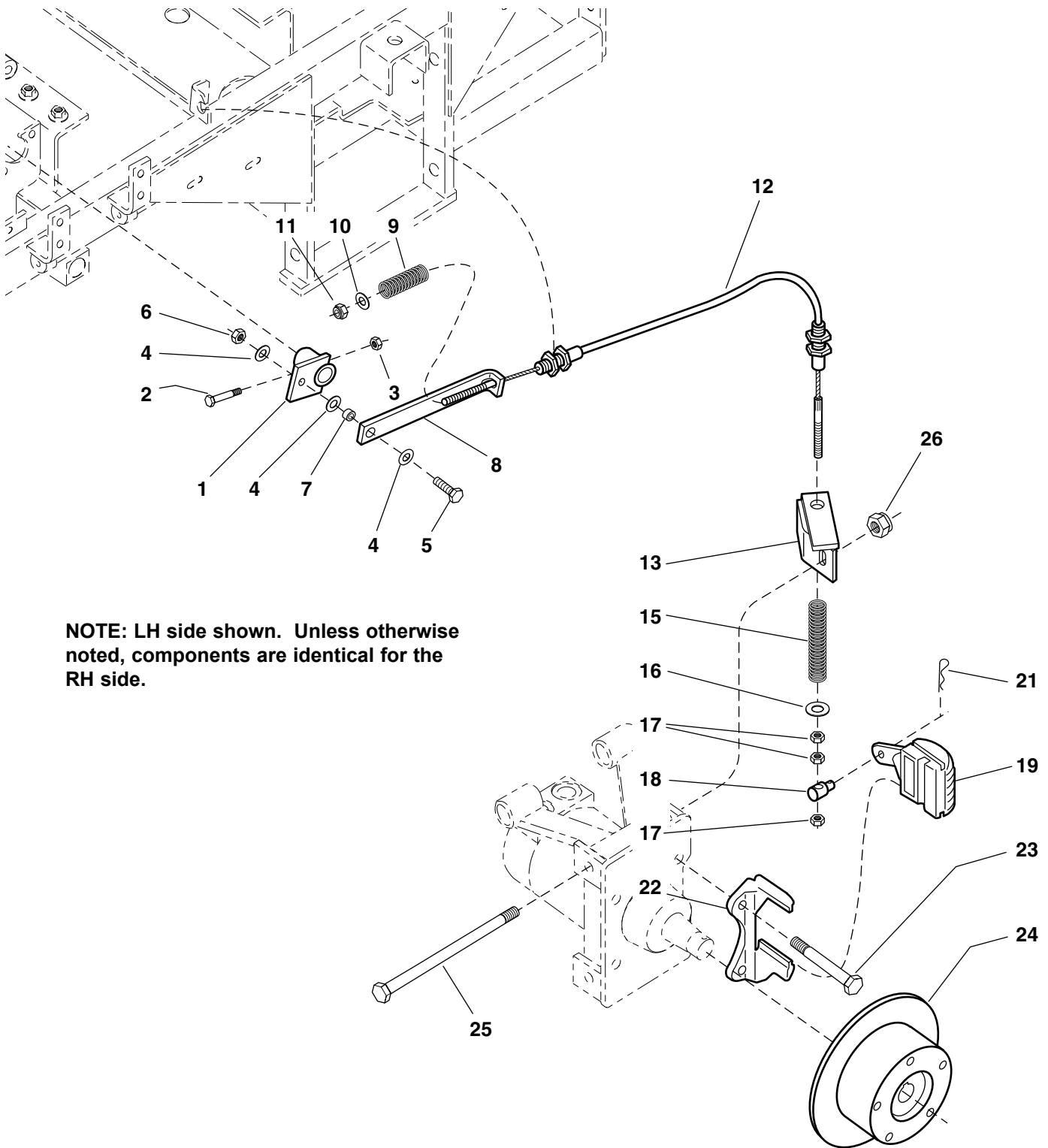
REF NO.	PART NO.	QTY.	DESCRIPTION
1	45619	1	BRAKE HANDLE
2	25510	1	GRIP, Foam
3	45616	1	BRAKE HANDLE MOUNT
4	25010-14	1	CAPSCREW, Hex Hd, 1/4-20 x 1-3/4
5	25095	1	NUT, Hex, Nylon Lock, 1/4-20
6	25011-8	2	CAPSCREW, Hex Hd, 5/16-18 x 1
7	25127	2	NUT, Hex, Serrated Flange, 5/16-18
8	21098	2	BEARING, Flange
9	45610	1	BRAKE HANDLE SHAFT
10	25128	6	NUT, Hex, Serrated Flange, 3/8-16
11	25013-6	4	CAPSCREW, Hex Hd, 3/8-16 x 3/4
12	45621	1	SWITCH MOUNT BRACKET
13	*	2	SWITCH (See Electrical Group)
14	25010-6	2	CAPSCREW, Hex Hd, 1/4-20 x 3/4
15	25154	2	WASHER, 1/4
16	25126	2	NUT, Hex, Serrated Flange, 1/4-20
17	25058-14	1	CAPSCREW, Hex Hd, TFL, 3/8-16 x 1-3/4

The above parts group applies to the following Model Nos.:

ISZKAV23/52	ISZ 23 HP Kawasaki Rider w/ 52" Mower
ISZKAV23/61	ISZ 23 HP Kawasaki Rider w/ 61" Mower
ISZ25K/52	ISZ 25 HP Kohler Rider w/ 52" Mower
ISZ25K/61	ISZ 25 HP Kohler Rider w/ 61" Mower

Parking Brake Group - Lower

NOTE: Unless noted otherwise,
use the standard hardware torque
specification chart.



NOTE: LH side shown. Unless otherwise
noted, components are identical for the
RH side.

The above parts group applies to the following Model Nos.:

ISZKAV23/52	ISZ 23 HP Kawasaki Rider w/ 52" Mower
ISZKAV23/61	ISZ 23 HP Kawasaki Rider w/ 61" Mower
ISZ25K/52	ISZ 25 HP Kohler Rider w/ 52" Mower
ISZ25K/61	ISZ 25 HP Kohler Rider w/ 61" Mower

Parking Brake Group - Lower

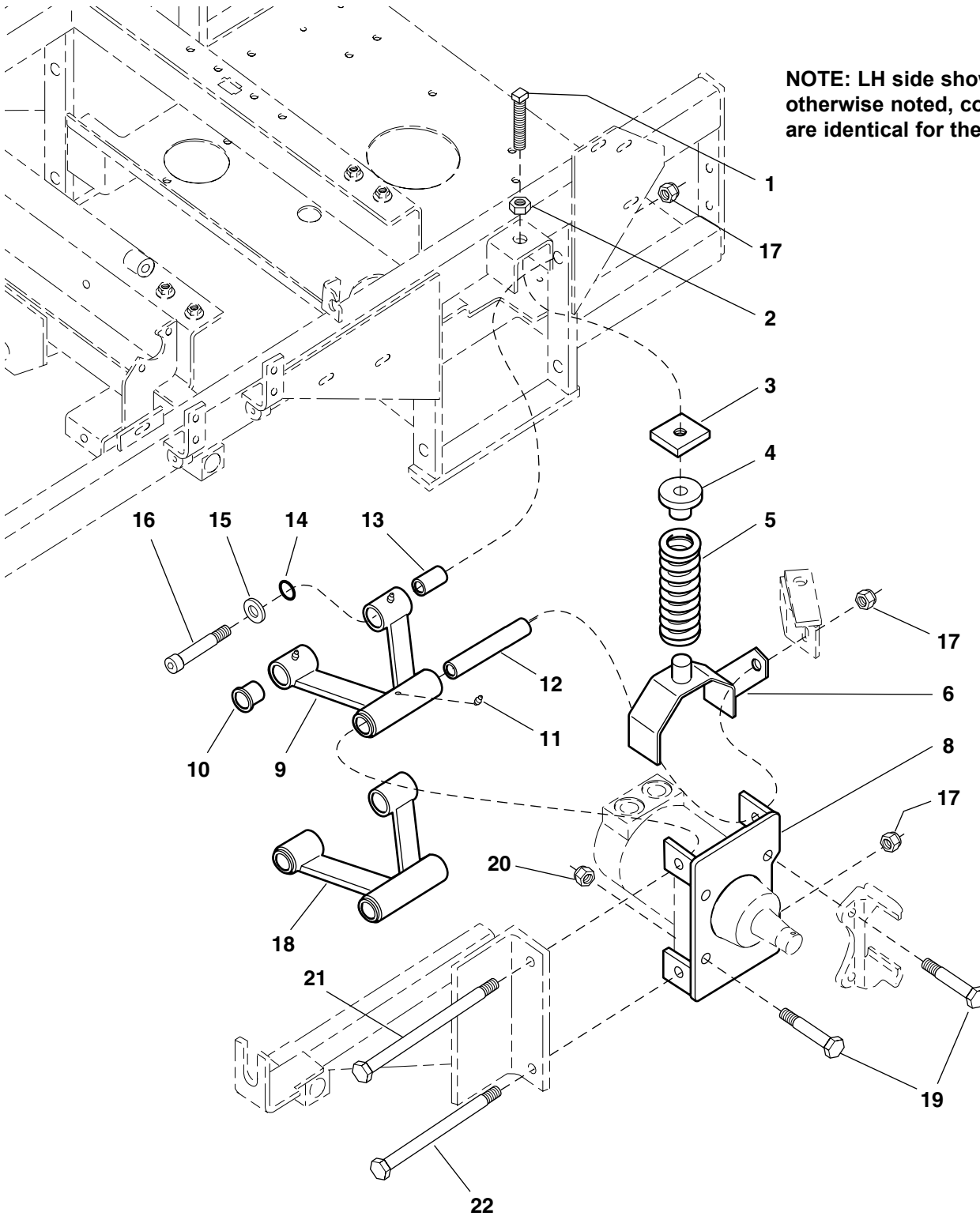
REF NO.	PART NO.	QTY.	DESCRIPTION
1	45618	1	BRAKE LINKAGE PIVOT (LH only)
2	25010-14	2	CAPSCREW, Hex Hd, 1/4-20 x 1-3/4
3	25095	2	NUT, Hex, Nylon Lock, 1/4-20
4	25156	6	WASHER, 3/8
5	25013-10	2	CAPSCREW, Hex Hd, 3/8-16 x 1-1/4
6	25096	2	NUT, Hex, Nylon Lock, 3/8-16
7	41930	2	SPACER, Pivot
8	45633	2	LINK, Brake Lock
9	22361	2	SPRING, Compression
10	25155	2	WASHER, 5/16
11	25045	2	NUT, Hex, Nylon Lock, 5/16-18
12	22209	2	CABLE, Brake
13	45604	1	BRACKET, Cable Mount-LH
14	45605	1	BRACKET, Cable Mount-RH (not shown)
15	21494	2	SPRING, Compression
16	25164	2	WASHER, Fender, 5/16
17	25033	6	NUT, Hex, 5/16-24
18	41482	2	ADJUSTER, Brake Linkage
19	22342	1	BRAKE CALIPER, LH
20	22341	1	BRAKE CALIPER, RH (not shown)
21	25211	2	HAIRPIN CLIP
22	22340	2	MOUNT, Brake Caliper
23	25018-24	4	CAPSCREW, Hex Hd, 1/2-20 x 3
24	22339	2	HUB, 8" Brake Disc
25	25017-60	2	CAPSCREW, Hex Hd, 1/2-13 x 7-1/2
26	25056	2	NUT, Hex, Nylon Lock, 1/2-13

The above parts group applies to the following Model Nos.:

ISZKAV23/52	ISZ 23 HP Kawasaki Rider w/ 52" Mower
ISZKAV23/61	ISZ 23 HP Kawasaki Rider w/ 61" Mower
ISZ25K/52	ISZ 25 HP Kohler Rider w/ 52" Mower
ISZ25K/61	ISZ 25 HP Kohler Rider w/ 61" Mower

Suspension Group

NOTE: Unless noted otherwise, use the standard hardware torque specification chart.



The above parts group applies to the following Model Nos.:

ISZKAV23/52	ISZ 23 HP Kawasaki Rider w/ 52" Mower
ISZKAV23/61	ISZ 23 HP Kawasaki Rider w/ 61" Mower
ISZ25K/52	ISZ 25 HP Kohler Rider w/ 52" Mower
ISZ25K/61	ISZ 25 HP Kohler Rider w/ 61" Mower

Suspension Group

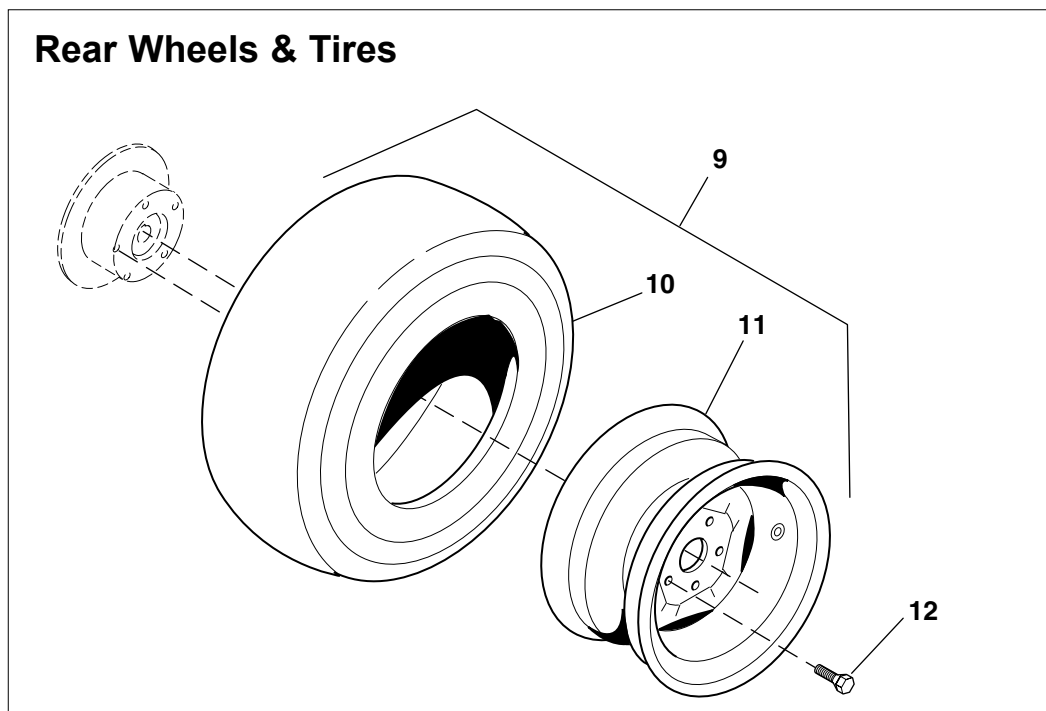
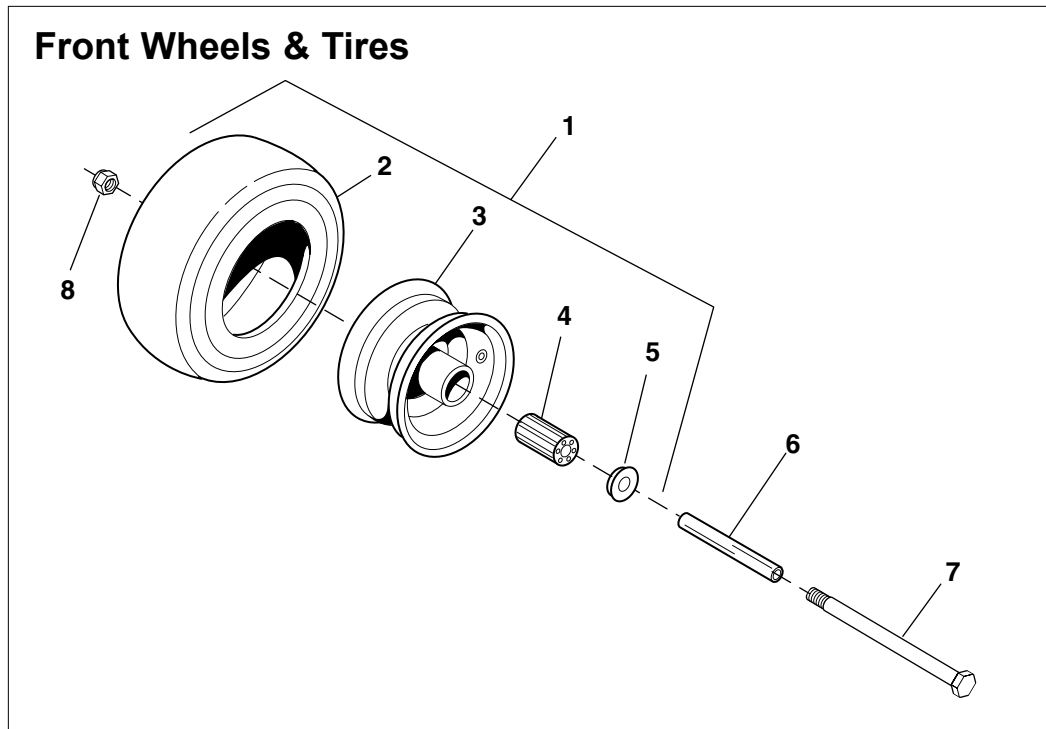
REF NO.	PART NO.	QTY.	DESCRIPTION
1	25294	2	SET SCREW, Square Hd, 1/2-13 x 3
2	25301	2	NUT, Hex, Jam, 1/2-13
3	45904	2	SPRING COMPRESSION PLATE
4	45898	2	SPRING RETAINER
5	21747	2	SPRING, Suspension
6	45601	1	SPRING SADDLE-LH
7	45602	1	SPRING SADDLE-RH (not shown)
8	45588	2	WHEEL MOTOR MOUNT
9	45304	2	SUSPENSION A-ARM, Upper
10	22250	16	BUSHING, Flange
11	20095	12	GREASE FITTING
12	45305	4	PIVOT SLEEVE, Long
13	45306	8	PIVOT SLEEVE, Short
14	22269	8	O-RING
15	45307	8	WASHER, A-Arm
16	25294	8	CAPSCREW, Allen Head, 1/2-13 x 3
17	25056	12	NUT, Hex, Nylon Lock, 1/2-13
18	45308	2	SUSPENSION A-ARM, Lower
19	25018-24	8	CAPSCREW, Hex Hd, 1/2-20 x 3
20	25098	8	NUT, Hex, Nylon Lock, 1/2-20
21	25017-60	2	CAPSCREW, Hex Hd, 1/2-13 x 7-1/2
22	25017-52	2	CAPSCREW, Hex Hd, 1/2-13 x 6-1/2

The above parts group applies to the following Model Nos.:

ISZKAV23/52	ISZ 23 HP Kawasaki Rider w/ 52" Mower
ISZKAV23/61	ISZ 23 HP Kawasaki Rider w/ 61" Mower
ISZ25K/52	ISZ 25 HP Kohler Rider w/ 52" Mower
ISZ25K/61	ISZ 25 HP Kohler Rider w/ 61" Mower

Wheels & Tires Group

NOTE: Unless noted otherwise,
use the standard hardware torque
specification chart.



The above parts group applies to the following Model Nos.:

ISZKAV23/52	ISZ 23 HP Kawasaki Rider w/ 52" Mower
ISZKAV23/61	ISZ 23 HP Kawasaki Rider w/ 61" Mower
ISZ25K/52	ISZ 25 HP Kohler Rider w/ 52" Mower
ISZ25K/61	ISZ 25 HP Kohler Rider w/ 61" Mower

Wheels & Tires Group

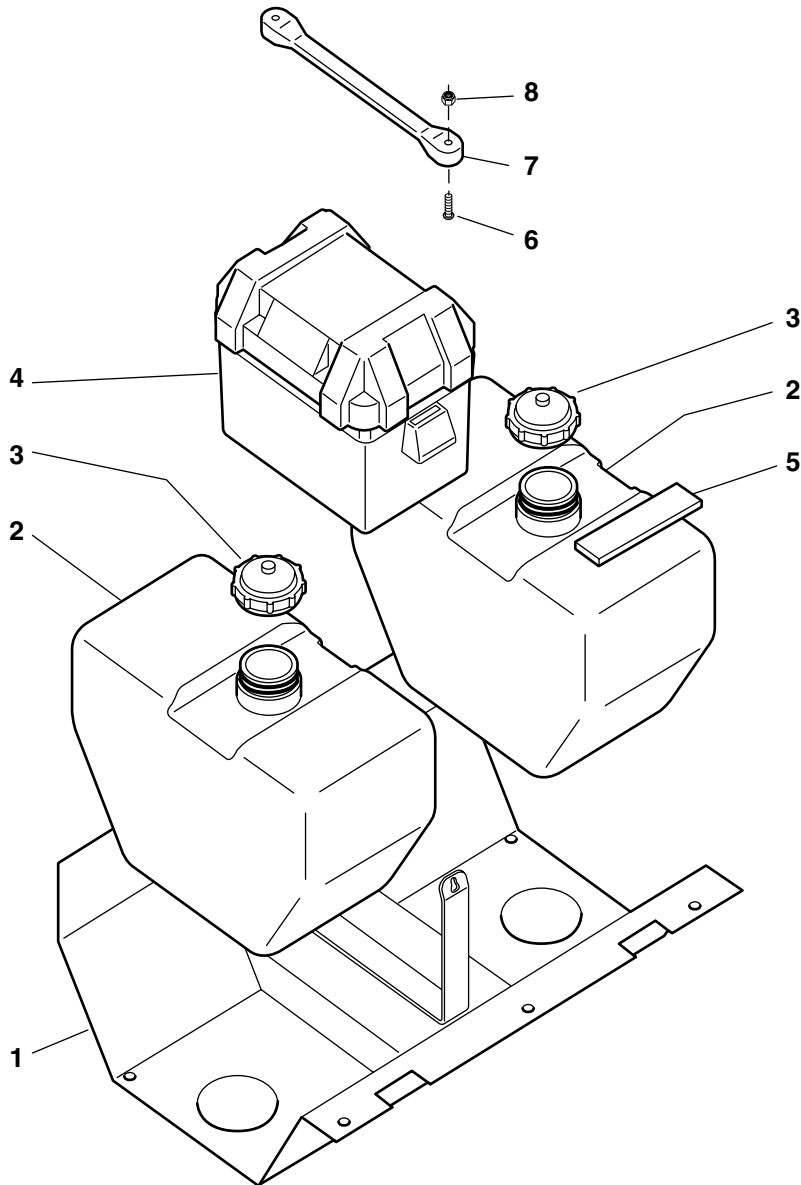
REF NO.	PART NO.	QTY.	DESCRIPTION
1	22029	2	WHEEL & TIRE ASSEMBLY, Front, 13 x 5.0 x 6, Complete (Includes Ref 2 thru 5)
2	22029-1	2	TIRE, Front, 13 x 5.0 x 6
3	22029-2	2	WHEEL ASSEMBLY, Front, for 13 x 5.0 x 6 Tires, Complete (Includes Ref 4 & 5)
4	21042	4	BEARING, Roller (2 per tire)
5	21043	4	RETAINER, Bearing (2 per tire)
6	22100	2	AXLE, Front Caster
7	25017-60	2	CAPSCREW, Hex Hd, 1-2/13 x 7-1/2
8	25056	2	NUT, Hex, Nylon Lock, 1-2/13
9	22396	2	WHEEL & TIRE ASSEMBLY, Rear, 23 x 10.5 x 12, Complete (Includes Ref 10 & 11) (for ISZKAV23/61 & ISZ25K/61 only)
9	22317	2	WHEEL & TIRE ASSEMBLY, Rear, 23 x 8.5 x 12, Complete (Includes Ref 10 & 11) (for ISZKAV23/52 & ISZ25K/52 only)
10	22396-1	2	TIRE, Rear, 23 x 10.5 x 12
10	22317-1	2	TIRE, Rear, 23 x 8.5 x 12
11	22396-2	2	WHEEL ASSEMBLY, Rear, for 23 x 10.5 x 12 Tires
11	22317-2	2	WHEEL ASSEMBLY, Rear, for 23 x 8.5 x 12 Tires
12	22215	10	WHEEL LUG, 1/2 x 1-5/8

The above parts group applies to the following Model Nos.:

ISZKAV23/52	ISZ 23 HP Kawasaki Rider w/ 52" Mower
ISZKAV23/61	ISZ 23 HP Kawasaki Rider w/ 61" Mower
ISZ25K/52	ISZ 25 HP Kohler Rider w/ 52" Mower
ISZ25K/61	ISZ 25 HP Kohler Rider w/ 61" Mower

Fuel Tank & Battery Box Group

NOTE: Unless noted otherwise,
use the standard hardware torque
specification chart.



The above parts group applies to the following Model Nos.:

ISZKAV23/52	ISZ 23 HP Kawasaki Rider w/ 52" Mower
ISZKAV23/61	ISZ 23 HP Kawasaki Rider w/ 61" Mower
ISZ25K/52	ISZ 25 HP Kohler Rider w/ 52" Mower
ISZ25K/61	ISZ 25 HP Kohler Rider w/ 61" Mower

Fuel Tank & Battery Box Group

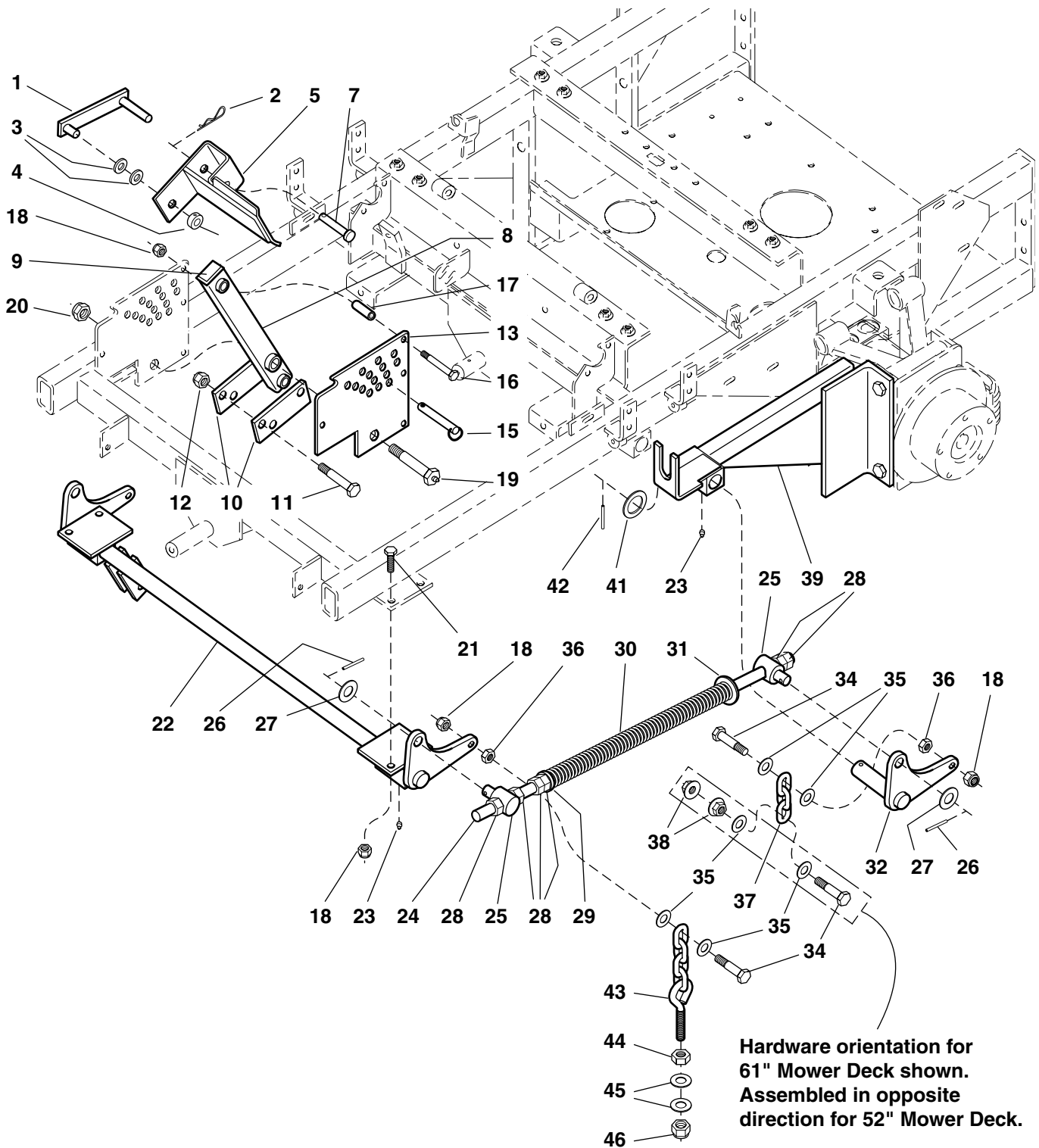
REF NO.	PART NO.	QTY.	DESCRIPTION
1	45920	1	FUEL TANK MOUNT PAN
2	21437	2	FUEL TANK, 4 Gallon
3	21468	2	CAP, Fuel Tank
4	21666	1	BATTERY BOX
5	21877	4	RUBBER PAD (mounted between tank & frame)
6	25270	2	SCREW, Philips, #10-24 x 1
7	21670	1	RUBBER STRAP
8	25271	2	NUT, Hex, Nylon Lock, #10-24
9	50831-24	2	FUEL LINE, 24" (not shown) (tank-to-valve)
10	50831-36	1	FUEL LINE, 36" (not shown) (valve-to-engine)
11	50833-20	2	COVER, Fuel Line, 20" (not shown) (tank-to-valve)
12	50833-33	1	COVER, Fuel Line, 33" (not shown) (valve-to-engine)

The above parts group applies to the following Model Nos.:

ISZKAV23/52	ISZ 23 HP Kawasaki Rider w/ 52" Mower
ISZKAV23/61	ISZ 23 HP Kawasaki Rider w/ 61" Mower
ISZ25K/52	ISZ 25 HP Kohler Rider w/ 52" Mower
ISZ25K/61	ISZ 25 HP Kohler Rider w/ 61" Mower

Deck Lift Group

NOTE: Unless noted otherwise,
use the standard hardware torque
specification chart.



The above parts group applies to the following Model Nos.:

ISZKAV23/52	ISZ 23 HP Kawasaki Rider w/ 52" Mower
ISZKAV23/61	ISZ 23 HP Kawasaki Rider w/ 61" Mower
ISZ25K/52	ISZ 25 HP Kohler Rider w/ 52" Mower
ISZ25K/61	ISZ 25 HP Kohler Rider w/ 61" Mower

Deck Lift Group

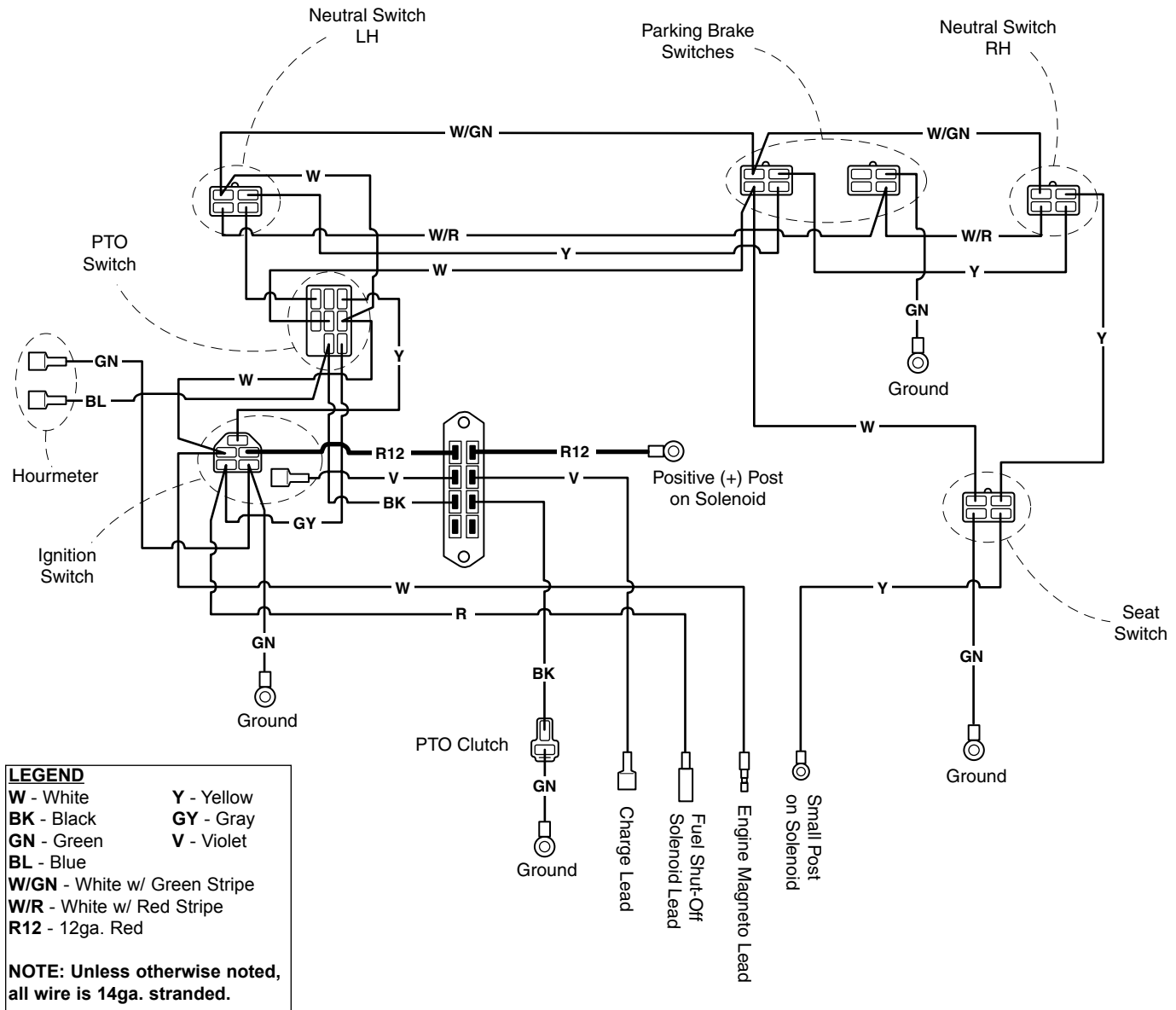
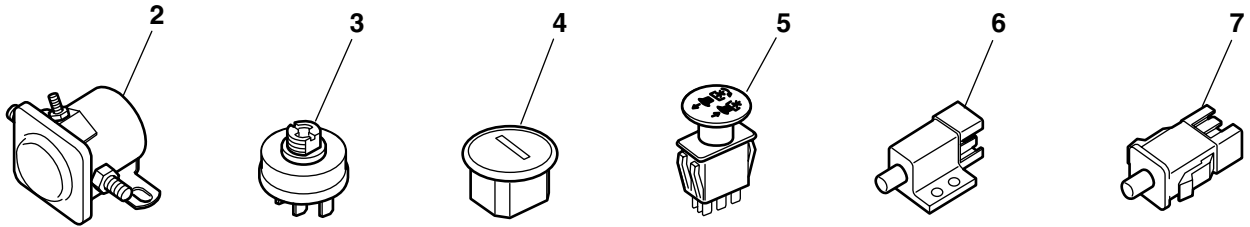
REF NO.	PART NO.	QTY.	DESCRIPTION
1	44999	1	DECK LIFT LOCK
2	25210	1	HAIRPIN CLIP
3	25158	2	WASHER, 1/2
4	10580	1	COLLAR, 1/2 Set
5	45058	1	DECK LIFT PEDAL
6	44875	1	SAFETY WALK, Deck Lift Pedal (not shown)
7	22044	1	PIN, Clevis, 1/2 x 2-1/2
8	44987	1	ARM, Deck Lift Pivot
9	22097	1	CAP
10	44994	2	LINK, Deck Lift
11	25018-24	2	CAPSCREW, Hex Hd, 1/2-20 x 3
12	25098	2	NUT, Hex, Nylon Lock, 1/2-20
13	45379	1	DECK HEIGHT PLATE
14	22063	1	DECAL, Deck Height (not shown)
15	22045	1	PIN, 1/2 x 3
16	25013-22	4	CAPSCREW, Hex Hd, 3/8-16 x 2-3/4
17	44992	4	SPACER, Lift Plate
18	25096	8	NUT, Hex, Nylon Lock, 3/8-16
19	44993	1	LIFT PIVOT BOLT
20	25282	1	NUT, Hex Jam, Nylon Lock, 5/8-11
21	25013-10	4	CAPSCREW, Hex Hd, 3/8-16 x 1-1/4
22	45451	1	DECK LIFT SHAFT & MOUNT ASSEMBLY
23	20095	4	CREASE FITTING
24	45446	2	SPRING ROD
25	45447	4	SPRING ROD PIVOT
26	22366	4	PIN, Spring, 3/16 x 1-1/4
27	25281	4	WASHER, 5/8
28	25040	12	NUT, Hex, 5/8-11
29	41477	2	SPACER
30	22333	2	SPRING, Deck Lift
31	25159	2	WASHER, USS, 5/8
32	45449	1	DECK LIFT PIVOT-LH
33	45500	1	DECK LIFT PIVOT-RH (not shown)
34	25013-14	8	CAPSCREW, Hex Hd, 3/8-16 x 1-3/4
35	25156	16	WASHER, 3/8
36	25084	4	NUT, Hex Jam, 3/8-16
37	50878-6	4	CHAIN, 6 Links
38	25128	8	NUT, Hex, Serrated Flange, 3/8-16
39	45216	1	REAR DECK LIFT FRAME-LH
40	45217	1	REAR DECK LIFT FRAME-RH (not shown)
41	21253	2	SHIM
42	25516	2	PIN, Roll, 3/16 x 1-1/2
43	45026	2	FRONT DECK HANGER
44	25038	2	NUT, Hex, 1/2-13
45	25158	4	WASHER, 1/2
46	25056	2	NUT, Hex, Nylon Lock, 1/2-13

The above parts group applies to the following Model Nos.:

ISZKAV23/52	ISZ 23 HP Kawasaki Rider w/ 52" Mower
ISZKAV23/61	ISZ 23 HP Kawasaki Rider w/ 61" Mower
ISZ25K/52	ISZ 25 HP Kohler Rider w/ 52" Mower
ISZ25K/61	ISZ 25 HP Kohler Rider w/ 61" Mower

Electrical Group – Kawasaki

NOTE: Unless noted otherwise, use the standard hardware torque specification chart.



LEGEND

W - White	Y - Yellow
BK - Black	GY - Gray
GN - Green	V - Violet
BL - Blue	
W/GN - White w/ Green Stripe	
W/R - White w/ Red Stripe	
R12 - 12ga. Red	

NOTE: Unless otherwise noted, all wire is 14ga. stranded.

The above parts group applies to the following Model Nos.:

ISZKAV23/52	ISZ 23 HP Kawasaki Rider w/ 52" Mower
ISZKAV23/61	ISZ 23 HP Kawasaki Rider w/ 61" Mower

Electrical Group — Kawasaki

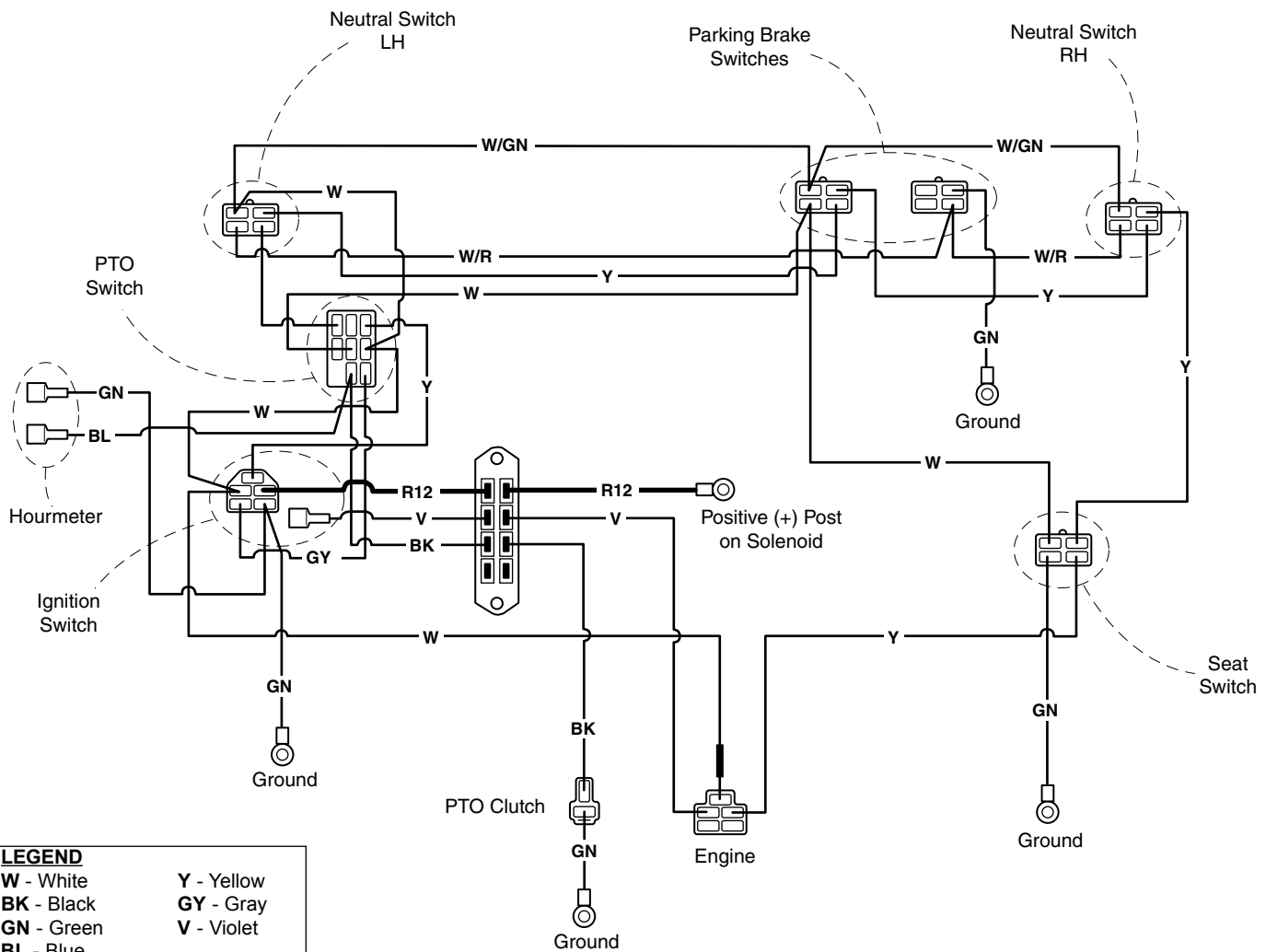
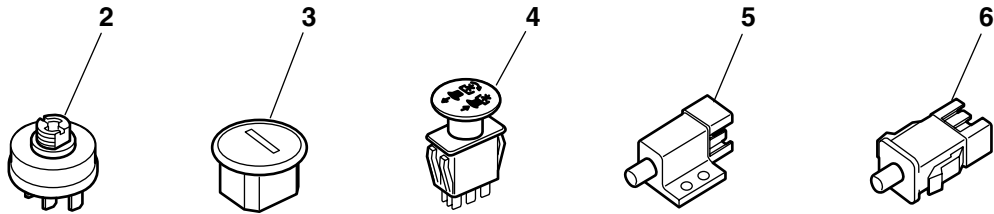
REF NO.	PART NO.	QTY.	DESCRIPTION
1	45895	1	ISZKAV23 Wire Harness
2	20801	1	SOLENOID
3	20927	1	SWITCH, Ignition
4	20060	1	HOURMETER
5	22180	1	SWITCH, PTO
6	22095	2	SWITCH, Plunger, NO/NC
7	22182	3	SWITCH, Plunger, Snap-In, NO/NC
8	21406	1	CABLE, Negative (-) Battery (not shown)
9	44876	1	CABLE, Positive (+) Battery (not shown)
10	44014	1	CABLE, Ground (between engine block & frame) (not shown)
11	21603	4	FUSE, 20A (not shown)
12	44732	1	CABLE, Starter (between solenoid & starter) (not shown)

The above parts group applies to the following Model Nos.:

ISZKAV23/52 ISZ 23 HP Kawasaki Rider w/ 52" Mower
ISZKAV23/61 ISZ 23 HP Kawasaki Rider w/ 61" Mower

Electrical Group – Kohler

NOTE: Unless noted otherwise, use the standard hardware torque specification chart.



LEGEND

W - White	Y - Yellow
BK - Black	GY - Gray
GN - Green	V - Violet
BL - Blue	
W/GN - White w/ Green Stripe	
W/R - White w/ Red Stripe	
R12 - 12ga. Red	

NOTE: Unless otherwise noted, all wire is 14ga. stranded.

The above parts group applies to the following Model Nos.:

ISZ25K/52	ISZ 25 HP Kohler Rider w/ 52" Mower
ISZ25K/61	ISZ 25 HP Kohler Rider w/ 61" Mower

Electrical Group — Kohler

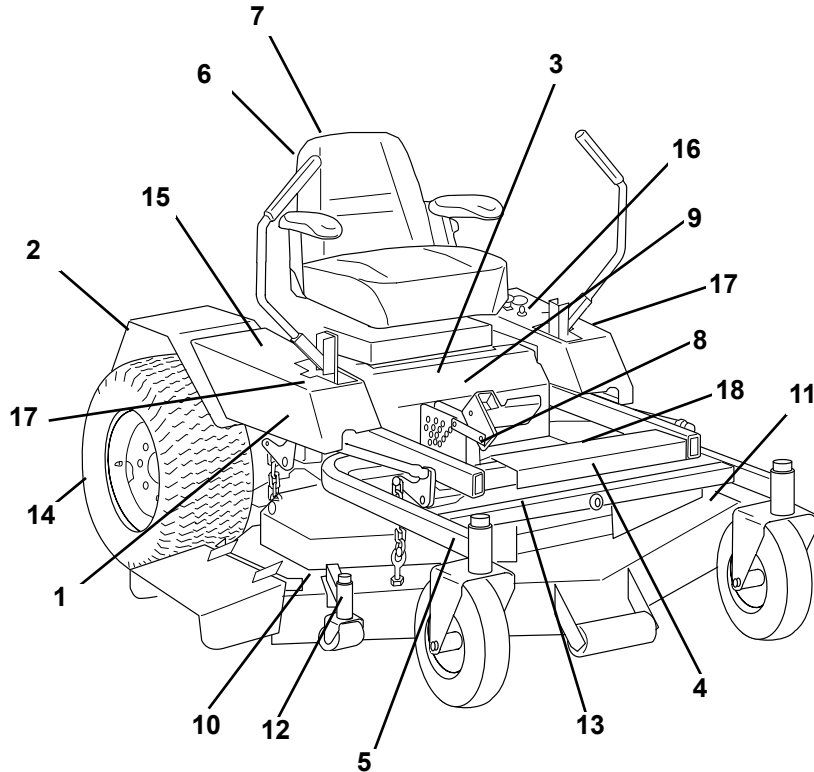
REF NO.	PART NO.	QTY.	DESCRIPTION
1	45954	1	ISZ25K Wire Harness
2	20927	1	SWITCH, Ignition
3	20060	1	HOURMETER
4	22180	1	SWITCH, PTO
5	22095	2	SWITCH, Plunger, NO/NC
6	22182	3	SWITCH, Plunger, Snap-In, NO/NC
7	21406	1	CABLE, Negative (-) Battery (not shown)
8	44876	1	CABLE, Positive (+) Battery (not shown)
9	44014	1	CABLE, Ground (between engine block & frame) (not shown)
10	21603	4	FUSE, 20A (not shown)

The above parts group applies to the following Model Nos.:

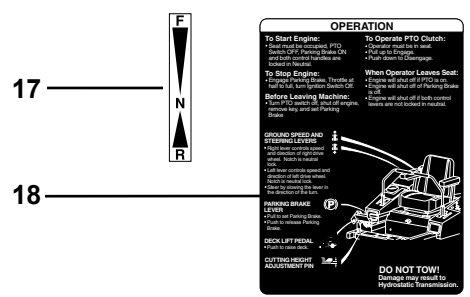
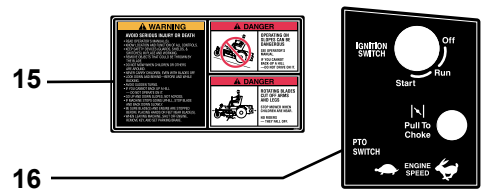
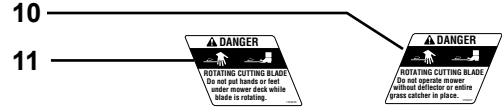
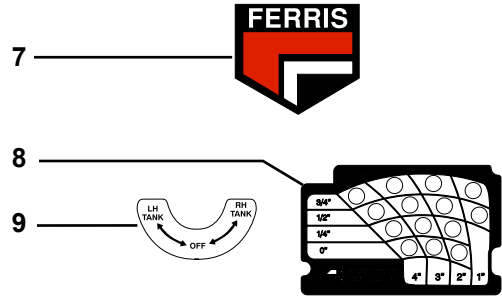
ISZ25K/52 ISZ 25 HP Kohler Rider w/ 52" Mower
ISZ25K/61 ISZ 25 HP Kohler Rider w/ 61" Mower

Decals — Safety, Brand & Model

NOTE: Unless noted otherwise, use the standard hardware torque specification chart.



- 1 — FERRIS FERRIS FERRIS FERRIS
ProCut Z
- 2 —
- 3 — FERRIS FERRIS FERRIS
- 4 — ProCut Z ProCut Z ProCut Z ProCut Z ProCut Z
- 5 — Dual-Point Floating Front Axle
- 6 — First with Independent Suspension



NOTE: Decals are NOT shown to scale.

- The above parts group applies to the following Model Nos.:
- ISZKAV23/52 ISZ 23 HP Kawasaki Rider w/ 52" Mower
 - ISZKAV23/61 ISZ 23 HP Kawasaki Rider w/ 61" Mower
 - ISZ25K/52 ISZ 25 HP Kohler Rider w/ 52" Mower
 - ISZ25K/61 ISZ 25 HP Kohler Rider w/ 61" Mower

Decals — Safety, Brand & Model

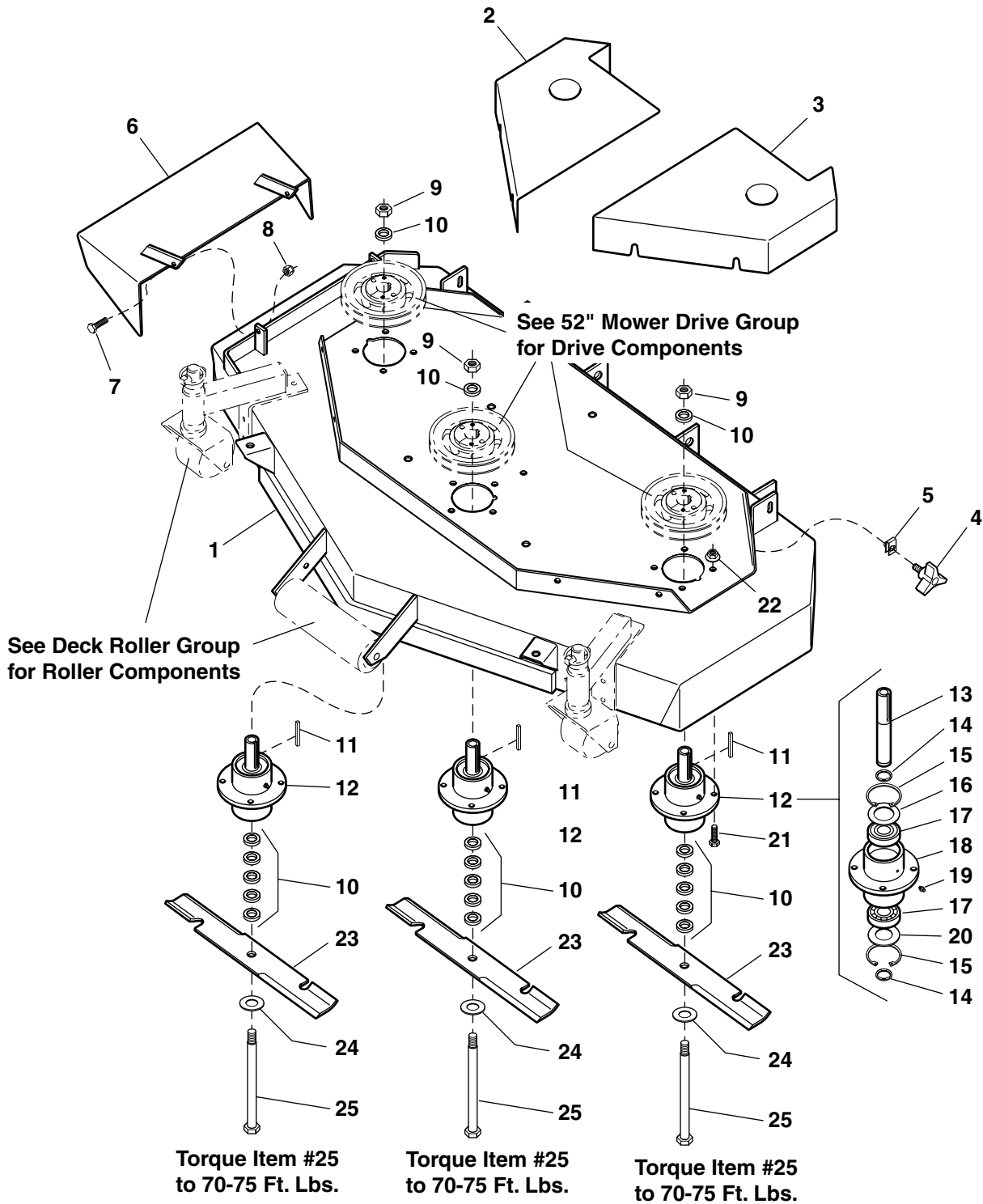
REF NO.	PART NO.	QTY.	DESCRIPTION
1	22235	2	DECAL, ProCut Z
2	22236	2	DECAL, IS Logo
3	22240	1	DECAL, Ferris Text
4	22241	1	DECAL, ProCut Z Text
5	22238	2	DECAL, Dual-Point Floating
6	22239	1	DECAL, First w/ Independent (located on back of seat)
7	22227	1	DECAL, Ferris Logo-Small (located on back of seat)
8	22063	1	DECAL, Deck Height
9	22066	1	DECAL, Fuel Shut Off
10	1704277	1	DECAL, Danger (Chute In Place)
11	1704276	1	DECAL, Danger (Hand Under Deck)
12	21036	2	DECAL, Grease Daily
13	20337	1	DECAL, Warning
14	22143	2	DECAL, Danger (located on lower frame rail)
15	45567	1	DECAL, Warning/Danger
16	45566	1	DECAL, Instrument Panel
17	45561	2	DECAL, Direction Control
18	45559	1	DECAL, Operation

The above parts group applies to the following Model Nos.:

ISZKAV23/52	ISZ 23 HP Kawasaki Rider w/ 52" Mower
ISZKAV23/61	ISZ 23 HP Kawasaki Rider w/ 61" Mower
ISZ25K/52	ISZ 25 HP Kohler Rider w/ 52" Mower
ISZ25K/61	ISZ 25 HP Kohler Rider w/ 61" Mower

52" Mower Housing, Cover, Spindle & Blade Group

NOTE: Unless noted otherwise, use the standard hardware torque specification chart.



The above parts group applies to the following Model Nos.:

ISZKAV23/52	ISZ 23 HP Kawasaki Rider w/ 52" Mower
ISZ25K/52	ISZ 25 HP Kohler Rider w/ 52" Mower

52" Mower Housing, Cover, Spindle & Blade Group

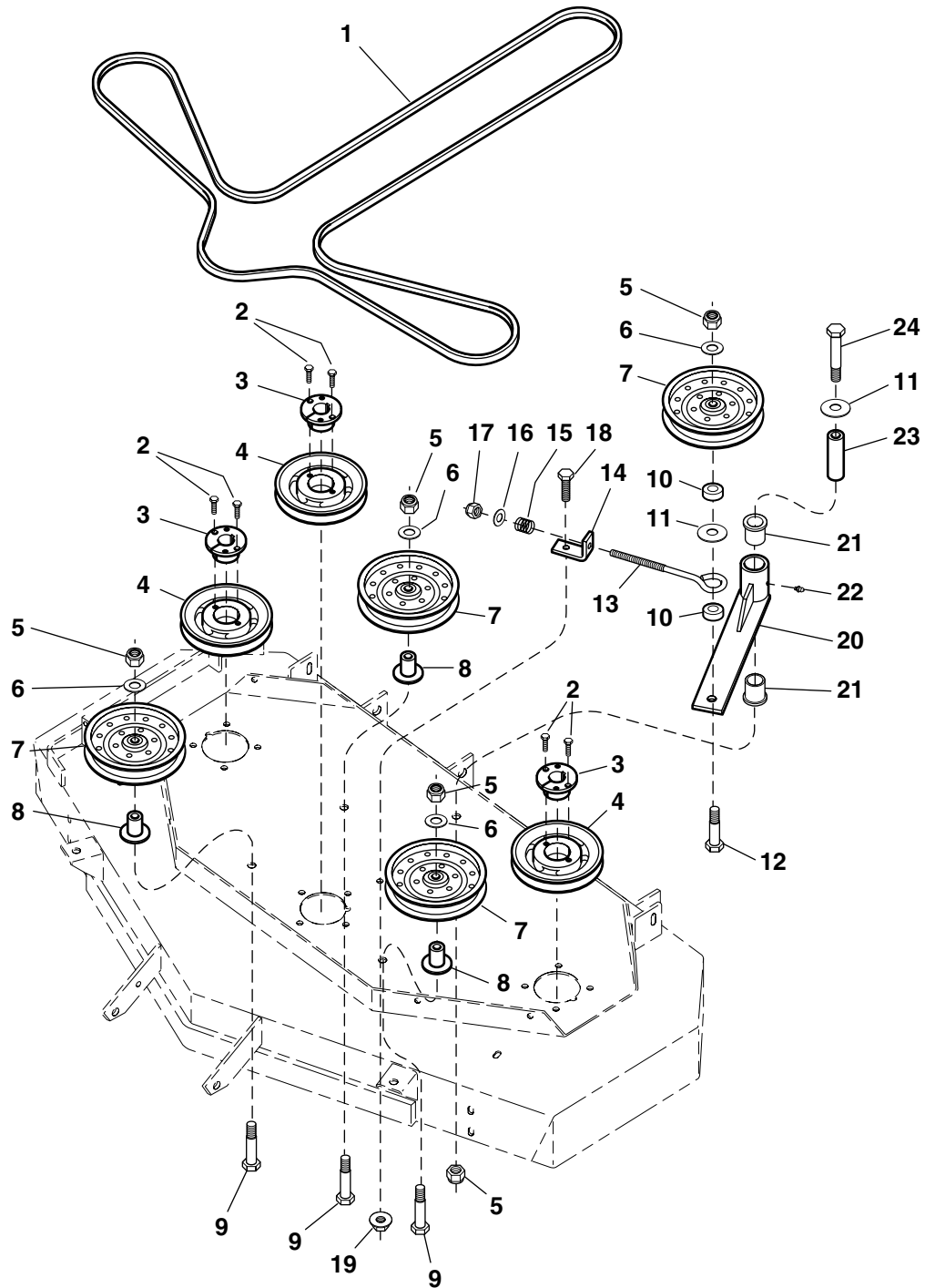
REF NO.	PART NO.	QTY.	DESCRIPTION
1	45398	1	52" MOWER HOUSING
2	45401	1	SPINDLE COVER-LH
3	45402	1	SPINDLE COVER-RH
4	22319	6	PLASTIC KNOB
5	22308	6	BODY CLIP, 5/16-18
6	41668	1	DISCHARGE CHUTE
7	25011-8	2	CAPSCREW, Hex Hd, 5/16-18 x 1
8	25057	2	NUT, Hex, Nylon Lock, 5/16-18
9	25040	3	NUT, Hex, 5/8-11
10	41477	18	SPACER, Blade
11	50407-9	3	KEY, 1/4 x 2-1/2
12	30301	3	SPINDLE ASSEMBLY, Complete (includes Ref 13-20)
13	41480	3	SPINDLE SHAFT
14	20864	6	SNAP RING, External
15	20866	6	SNAP RING, Internal
16	41653	3	SPINDLE WASHER, Top
17	20828	6	BEARING
18	30293	3	SPINDLE HOUSING
19	20095	3	GREASE FITTING
20	41672	3	SPINDLE WASHER, Bottom
21	25011-10	12	CAPSCREW, Hex Hd, 5/16-18 x 1-1/4
22	25139	12	NUT, Hex, Serrated Flange, 5/16-18
23	21227	3	MOWER BLADE
24	25159	3	WASHER, USS, 5/8
25	25019-76	3	CAPSCREW, Hex Hd, 5/8-11 x 9-1/2

The above parts group applies to the following Model Nos.:

ISZKAV23/52 ISZ 23 HP Kawasaki Rider w/ 52" Mower
ISZ25K/52 ISZ 25 HP Kohler Rider w/ 52" Mower

52" Mower Drive Group

NOTE: Unless noted otherwise,
use the standard hardware torque
specification chart.



The above parts group applies to the following Model Nos.:

ISZKAV23/52	ISZ 23 HP Kawasaki Rider w/ 52" Mower
ISZ25K/52	ISZ 25 HP Kohler Rider w/ 52" Mower

52" Mower Drive Group

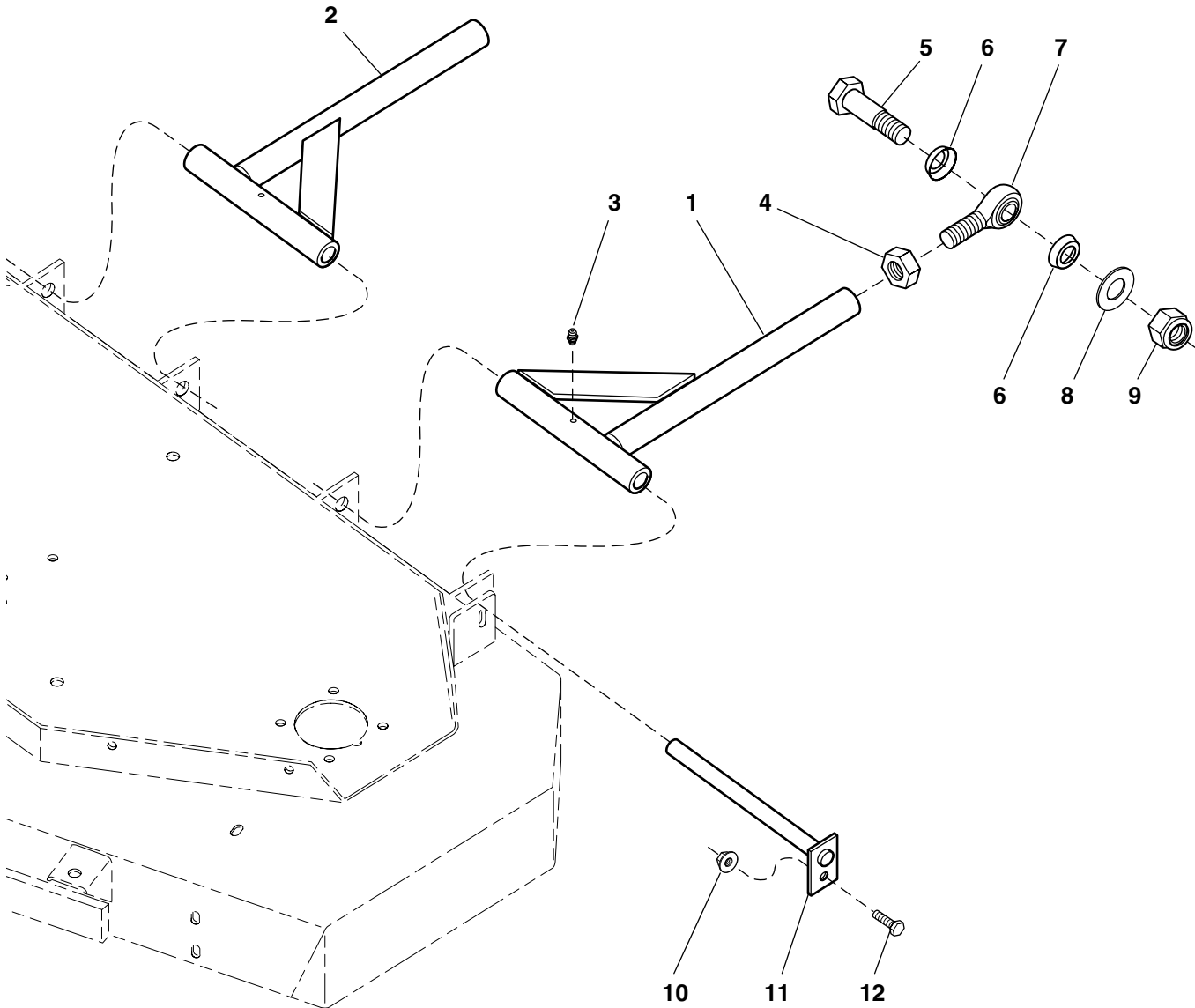
REF NO.	PART NO.	QTY.	DESCRIPTION
1	22148	1	BELT, 52" Deck
2	25010-8	6	CAPSCREW, Hex Hd, 1/4-20 x 1
3	20819	3	HUB, Taper Lock
4	20814	3	PULLEY, Spindle
5	25056	5	NUT, Hex, Nylon Lock, 1/2-13
6	25158	4	WASHER, 1/2
7	21976	4	PULLEY, Idler
8	45024	3	IDLER PULLEY MOUNT
9	25017-28	3	CAPSCREW, Hex Hd, 1/2-13 x 3-1/2
10	45023	2	IDLER SPACER
11	25150	2	WASHER, USS, 1/2
12	25017-24	1	CAPSCREW, Hex Hd, 1/2-13 x 3
13	21811	1	EYEBOLT
14	42142	1	SPRING ANCHOR
15	21680	1	SPRING, Compression
16	25156	1	WASHER, 3/8
17	25096	1	NUT, Hex, Nylon Lock, 3/8-16
18	25013-8	1	CAPSCREW, Hex Hd, 3/8-16 x 1
19	25128	1	NUT, Hex, Serrated Flange, 3/8-16
20	45106	1	IDLER ARM
21	21541	2	BUSHING, Flange
22	20095	1	GREASE FITTING
23	45022	1	IDLER ARM PIVOT SHAFT
24	25017-36	1	CAPSCREW, Hex Hd, 1/2-13 x 4-1/2

The above parts group applies to the following Model Nos.:

ISZKAV23/52 ISZ 23 HP Kawasaki Rider w/ 52" Mower
ISZ25K/52 ISZ 25 HP Kohler Rider w/ 52" Mower

52" Mower Rear Mount Group

NOTE: Unless noted otherwise,
use the standard hardware torque
specification chart.



The above parts group applies to the following Model Nos.:

ISZKAV23/52	ISZ 23 HP Kawasaki Rider w/ 52" Mower
ISZ25K/52	ISZ 25 HP Kohler Rider w/ 52" Mower

52" Mower Rear Mount Group

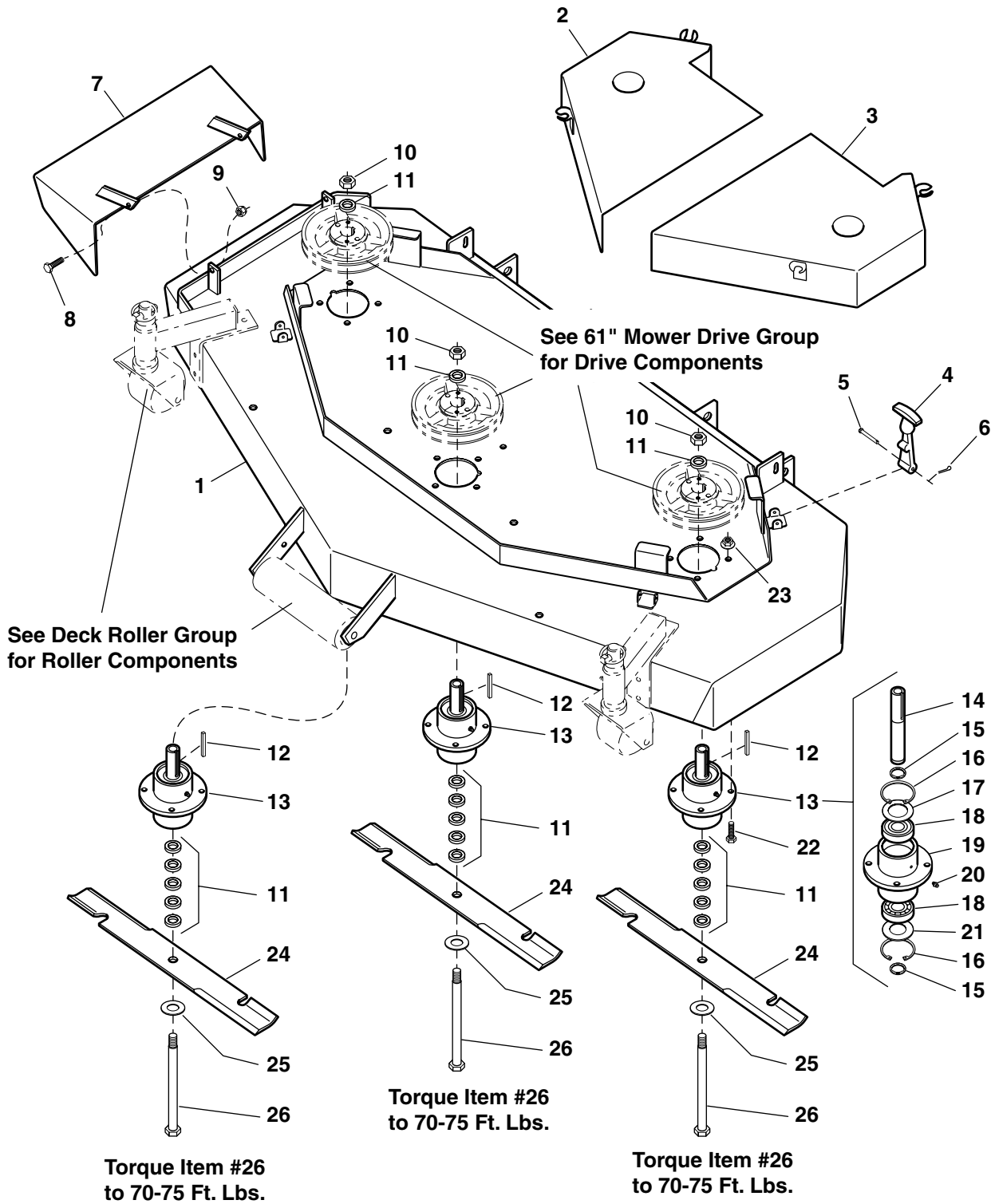
REF NO.	PART NO.	QTY.	DESCRIPTION
1	45103	1	52" DECK PUSHER BAR-LH
2	45104	1	52" DECK PUSHER BAR-RH
3	20095	2	GREASE FITTING
4	25093	2	NUT, Hex, Jam, 3/4-16
5	25265-24	2	CAPSCREW, Hex Hd, 3/4-16 x 3
6	22111	4	ROD END SEAL
7	22039	2	BALL JOINT, 3/4-16
8	25160	2	WASHER, 3/4
9	25284	2	NUT, Hex, Nylon Lock, 3/4-16
10	25139	2	NUT, Hex, Serrated Flange, 5/16-18
11	45037	2	PUSHER BAR MOUNT PIN
12	25011-8	2	CAPSCREW, Hex Hd, 5/16-18 x 1

The above parts group applies to the following Model Nos.:

ISZKAV23/52 ISZ 23 HP Kawasaki Rider w/ 52" Mower
ISZ25K/52 ISZ 25 HP Kohler Rider w/ 52" Mower

61" Mower Housing, Cover, Spindle & Blade Group

NOTE: Unless noted otherwise, use the standard hardware torque specification chart.



The above parts group applies to the following Model Nos.:

ISZKAV23/61	ISZ 23 HP Kawasaki Rider w/ 61" Mower
ISZ25K/61	ISZ 25 HP Kohler Rider w/ 61" Mower

61" Mower Housing, Cover, Spindle & Blade Group

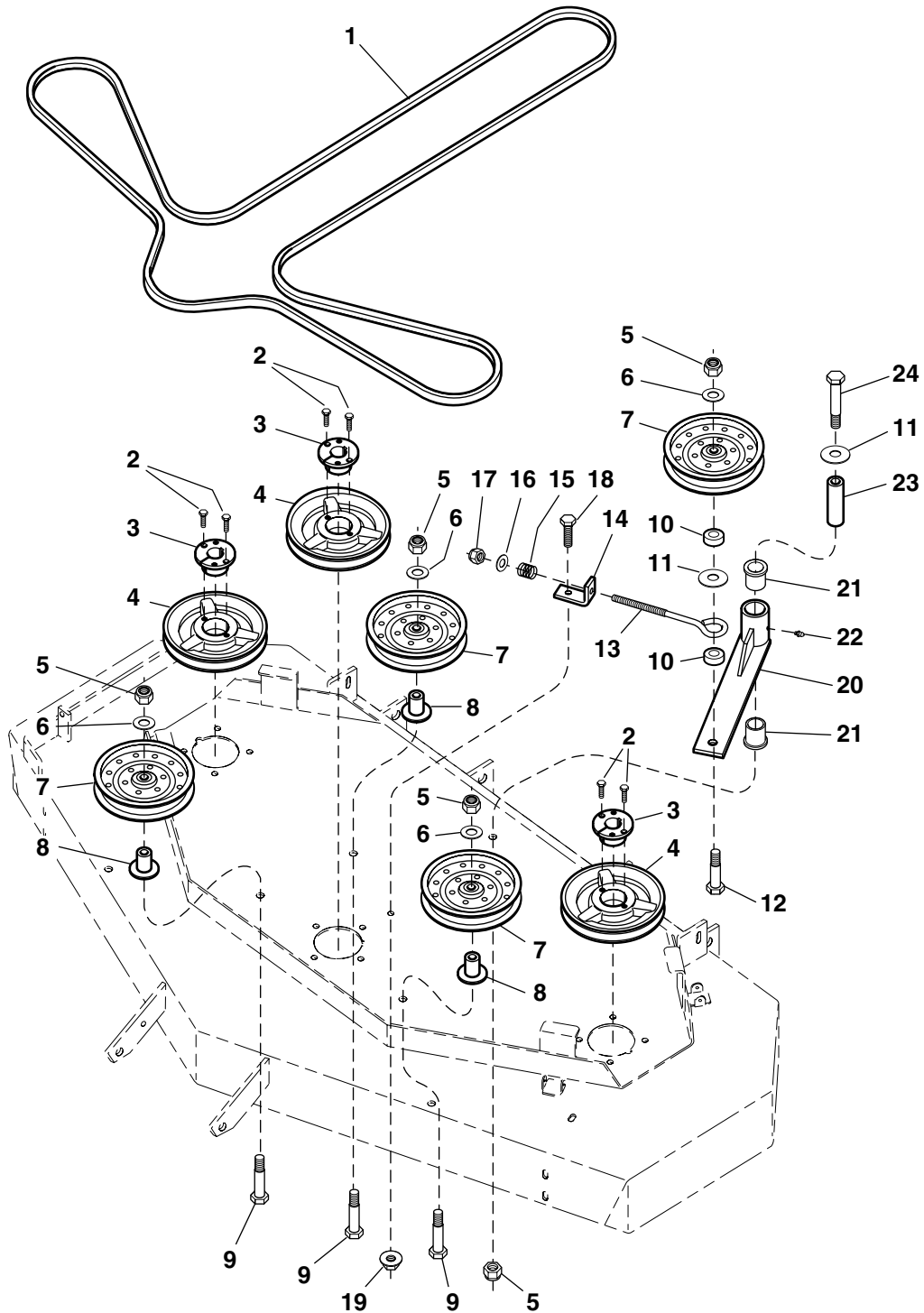
REF NO.	PART NO.	QTY.	DESCRIPTION
1	45165	1	61" MOWER HOUSING
2	45253	1	SPINDLE COVER-LH
3	45252	1	SPINDLE COVER-RH
4	20841-1	4	RUBBER LATCH
5	20841-4	4	CLEVIS PIN
6	20841-5	4	COTTER PIN
7	41668	1	DISCHARGE CHUTE
8	25011-8	2	CAPSCREW, Hex Hd, 5/16-18 x 1
9	25057	2	NUT, Hex, Nylon Lock, 5/16-18
10	25040	3	NUT, Hex, 5/8-11
11	41477	18	SPACER, Blade
12	50407-9	3	KEY, 1/4 x 2-1/2
13	30301	3	SPINDLE ASSEMBLY, Complete (includes Ref 14-21)
14	41480	3	SPINDLE SHAFT
15	20864	6	SNAP RING, External
16	20866	6	SNAP RING, Internal
17	41653	3	SPINDLE WASHER, Top
18	20828	6	BEARING
19	30293	3	SPINDLE HOUSING
20	20095	3	GREASE FITTING
21	41672	3	SPINDLE WASHER, Bottom
22	25011-10	12	CAPSCREW, Hex Hd, 5/16-18 x 1-1/4
23	25139	12	NUT, Hex, Serrated Flange, 5/16-18
24	20842	3	MOWER BLADE
25	25159	3	WASHER, USS, 5/8
26	25019-76	3	CAPSCREW, Hex Hd, 5/8-11 x 9-1/2

The above parts group applies to the following Model Nos.:

ISZKAV23/61 ISZ 23 HP Kawasaki Rider w/ 61" Mower
ISZ25K/61 ISZ 25 HP Kohler Rider w/ 61" Mower

61" Mower Drive Group

NOTE: Unless noted otherwise,
use the standard hardware torque
specification chart.



The above parts group applies to the following Model Nos.:

ISZKAV23/61 ISZ 23 HP Kawasaki Rider w/ 61" Mower
ISZ25K/61 ISZ 25 HP Kohler Rider w/ 61" Mower

61" Mower Drive Group

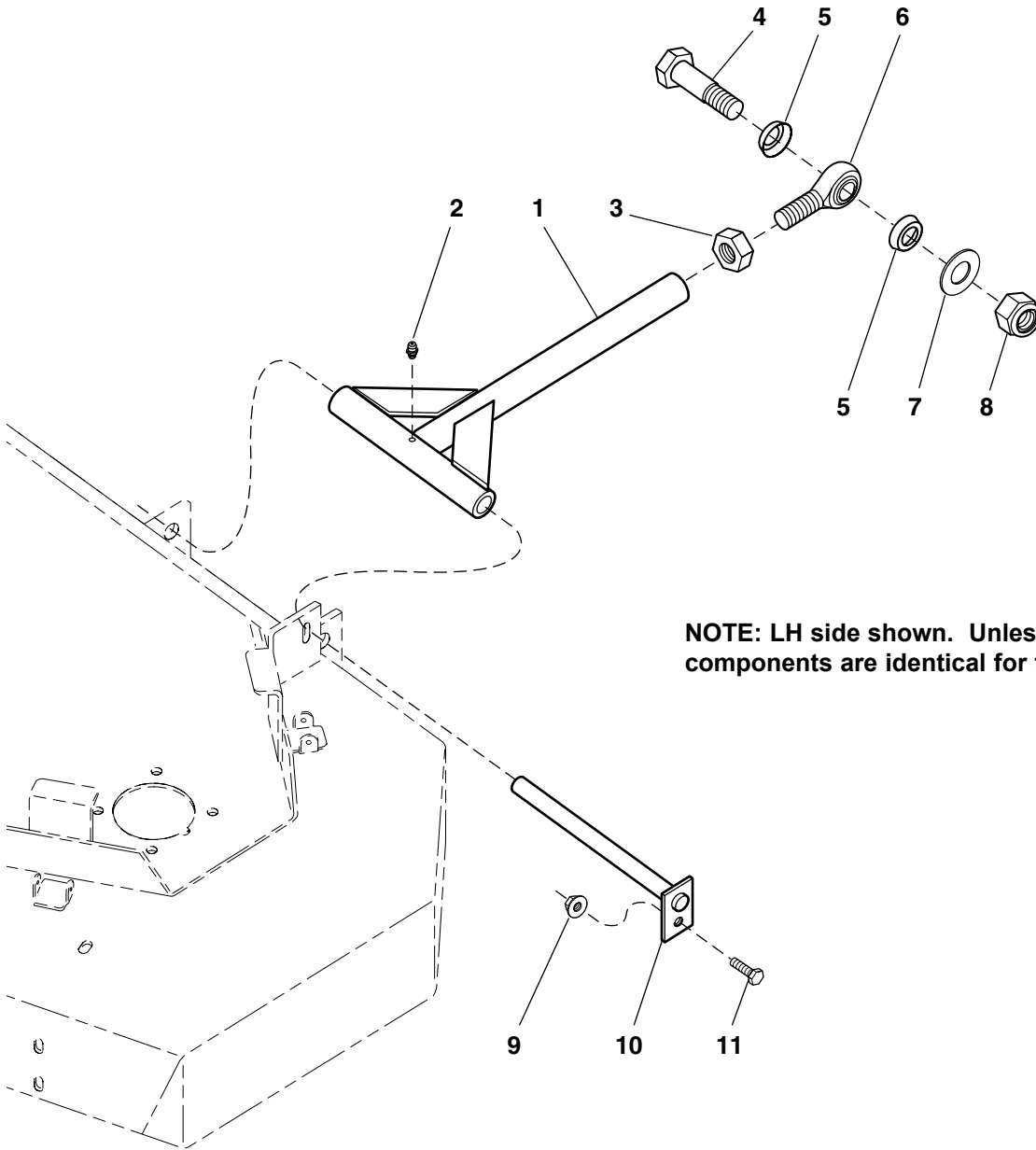
REF NO.	PART NO.	QTY.	DESCRIPTION
1	22061	1	BELT, 61" Deck
2	25010-8	6	CAPSCREW, Hex Hd, 1/4-20 x 1
3	20819	3	HUB, Taper Lock
4	20815	3	PULLEY, Spindle
5	25056	5	NUT, Hex, Nylon Lock, 1/2-13
6	25158	4	WASHER, 1/2
7	21976	4	PULLEY, Idler
8	45024	3	IDLER PULLEY MOUNT
9	25017-28	3	CAPSCREW, Hex Hd, 1/2-13 x 3-1/2
10	45023	2	IDLER SPACER
11	25150	2	WASHER, USS, 1/2
12	25017-24	1	CAPSCREW, Hex Hd, 1/2-13 x 3
13	21811	1	EYEBOLT
14	42142	1	SPRING ANCHOR
15	21680	1	SPRING, Compression
16	25156	1	WASHER, 3/8
17	25096	1	NUT, Hex, Nylon Lock, 3/8-16
18	25013-8	1	CAPSCREW, Hex Hd, 3/8-16 x 1
19	25128	1	NUT, Hex, Serrated Flange, 3/8-16
20	45019	1	IDLER ARM
21	21541	2	BUSHING, Flange
22	20095	1	GREASE FITTING
23	45022	1	IDLER ARM PIVOT SHAFT
24	25017-36	1	CAPSCREW, Hex Hd, 1/2-13 x 4-1/2

The above parts group applies to the following Model Nos.:

ISZKAV23/61 ISZ 23 HP Kawasaki Rider w/ 61" Mower
ISZ25K/61 ISZ 25 HP Kohler Rider w/ 61" Mower

61" Mower Rear Mount Group

NOTE: Unless noted otherwise,
use the standard hardware torque
specification chart.



NOTE: LH side shown. Unless otherwise noted,
components are identical for the RH side.

The above parts group applies to the following Model Nos.:

ISZKAV23/61	ISZ 23 HP Kawasaki Rider w/ 61" Mower
ISZ25K/61	ISZ 25 HP Kohler Rider w/ 61" Mower

61" Mower Rear Mount Group

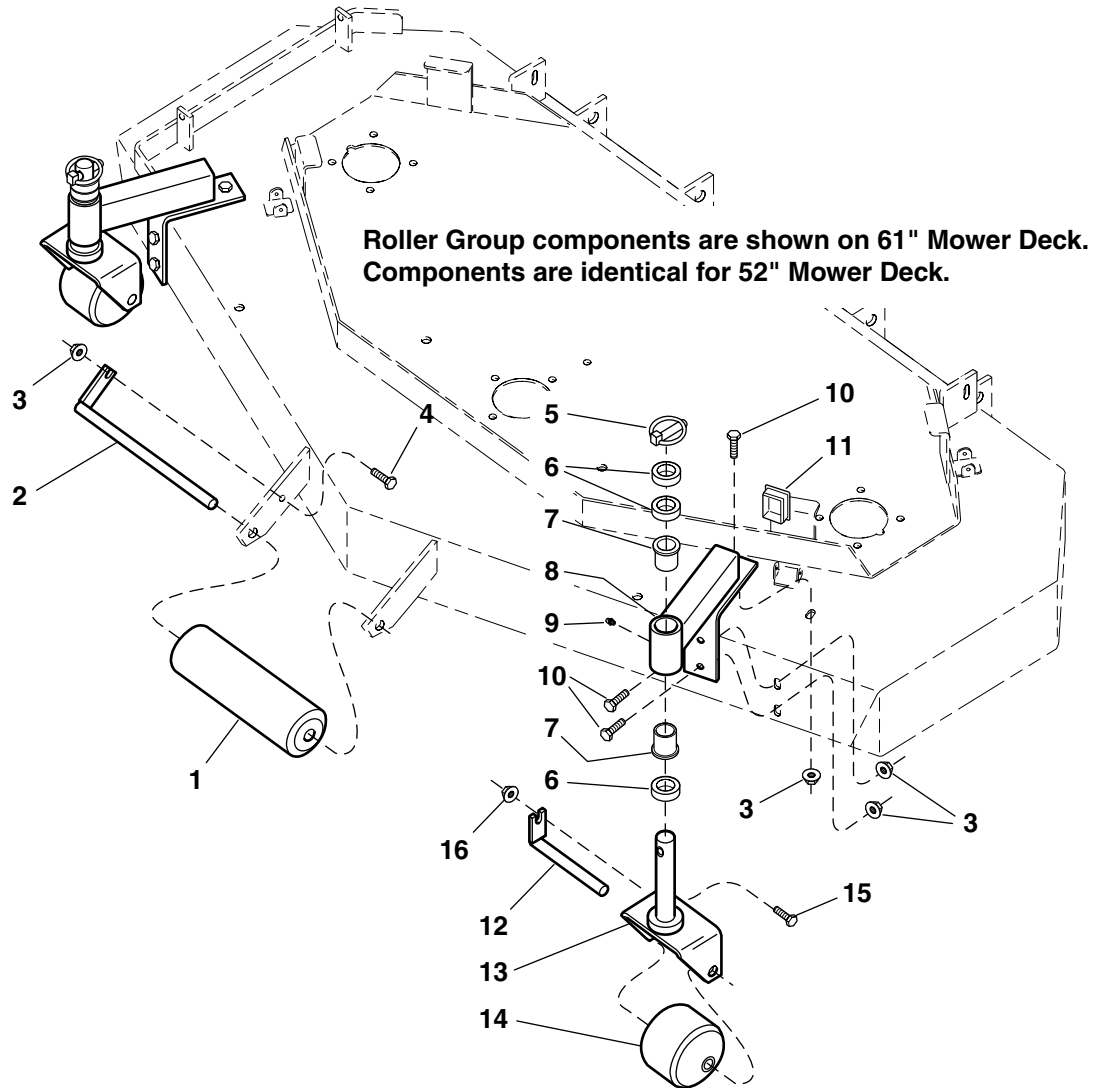
REF NO.	PART NO.	QTY.	DESCRIPTION
1	45009	2	61" DECK PUSHER BAR
2	20095	2	GREASE FITTING
3	25093	2	NUT, Hex, Jam, 3/4-16
4	25265-24	2	CAPSCREW, Hex Hd, 3/4-16 x 3
5	22111	4	ROD END SEAL
6	22039	2	BALL JOINT, 3/4-16
7	25160	2	WASHER, 3/4
8	25284	2	NUT, Hex, Nylon Lock, 3/4-16
9	25139	2	NUT, Hex, Serrated Flange, 5/16-18
10	45037	2	PUSHER BAR MOUNT PIN
11	25011-8	2	CAPSCREW, Hex Hd, 5/16-18 x 1

The above parts group applies to the following Model Nos.:

ISZKAV23/61 ISZ 23 HP Kawasaki Rider w/ 61" Mower
ISZ25K/61 ISZ 25 HP Kohler Rider w/ 61" Mower

52" & 61" Mower Deck Roller Group

NOTE: Unless noted otherwise,
use the standard hardware torque
specification chart.



The above parts group applies to the following Model Nos.:

ISZKAV23/52	ISZ 23 HP Kawasaki Rider w/ 52" Mower
ISZKAV23/61	ISZ 23 HP Kawasaki Rider w/ 61" Mower
ISZ25K/52	ISZ 25 HP Kohler Rider w/ 52" Mower
ISZ25K/61	ISZ 25 HP Kohler Rider w/ 61" Mower

52" & 61" Mower Deck Roller Group

REF NO.	PART NO.	QTY.	DESCRIPTION
1	20785	1	ROLLER, Nose
2	41655	1	ROLLER PIN
3	25128	7	NUT, Hex, Serrated Flange, 3/8-16
4	25013-8	1	CAPSCREW, Hex Hd, 3/8-16 x 1
5	20655	2	LYNCH PIN
6	41476	6	SPACER, Caster
7	21541	4	BUSHING, Flange
8	60054	2	CASTER MOUNT ARM ASSEMBLY (Includes Ref No. 7 & 9)
9	20095	2	GREASE FITTING
10	25013-6	6	CAPSCREW, Hex Hd, 3/8-16 x 3/4
11	22098	2	CAP, Plastic
12	45034	2	CASTER ROLLER PIN
13	45188	2	CASTER YOKE
14	22060	2	ROLLER, Caster
15	25011-6	2	CAPSCREW, Hex Hd, 5/16-18 x 3/4
16	25127	2	NUT, Hex, Serrated Flange, 5/16-18

The above parts group applies to the following Model Nos.:

ISZKAV23/52	ISZ 23 HP Kawasaki Rider w/ 52" Mower
ISZKAV23/61	ISZ 23 HP Kawasaki Rider w/ 61" Mower
ISZ25K/52	ISZ 25 HP Kohler Rider w/ 52" Mower
ISZ25K/61	ISZ 25 HP Kohler Rider w/ 61" Mower