

Installation Instructions

Magura Senso Grip Calibration Kit

P/N: 5600163, 5600164, 5600165 & 5600166

For Models Equipped with Magura Senso Grip Operator
Presence Handles

WARNING

Before beginning any service work turn off the PTO, set the parking brake, turn off the ignition, and disconnect the battery.

1. Park machine on a flat, level surface and engage the parking brake. Disengage the PTO switch, turn off the engine, disconnect the battery and remove the key from the ignition.
2. Remove the handle bar cover (A, Figure 1) to gain access to the electronic box.
3. Refer to Figure 2. Route the wiring as shown in Figure 2.

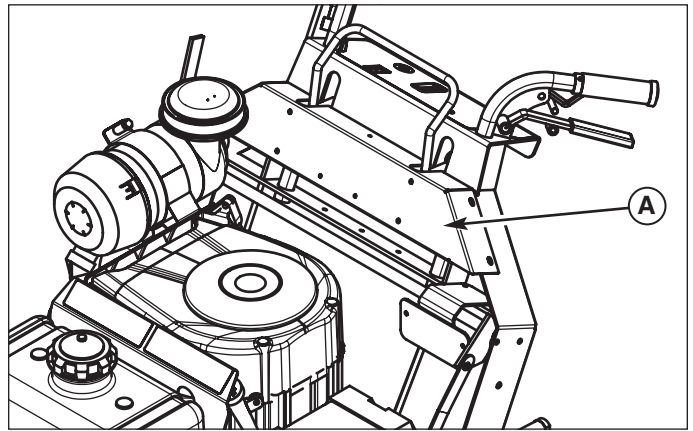


Figure 1. Remove The Handle Bar Cover
A. Handle Bar Cover

Calibrating the Senso Grips

1. Calibration must be done at room temperature and in a dry environment.
2. The ignition switch must be in the "OFF" position, the PTO switch disengaged and the battery disconnected.

NOTE: DO NOT TOUCH THE GRIPS until the calibration procedure is completed.

3. See Figure 2. Install the calibration jumper into the electronic box at the location identified in figure 2.
4. Reconnect the battery.
5. With the machine in neutral and the parking brake engaged, start the engine.
6. Let the engine run for five (5) seconds.
7. Release the parking brake. This will cause the engine to shut off.
8. Turn the ignition switch to the "OFF" position.
9. Remove the calibration jumper from the electronic box.
10. The calibration procedure is now complete.
11. Reinstall the handle bar cover (A, Figure 1).

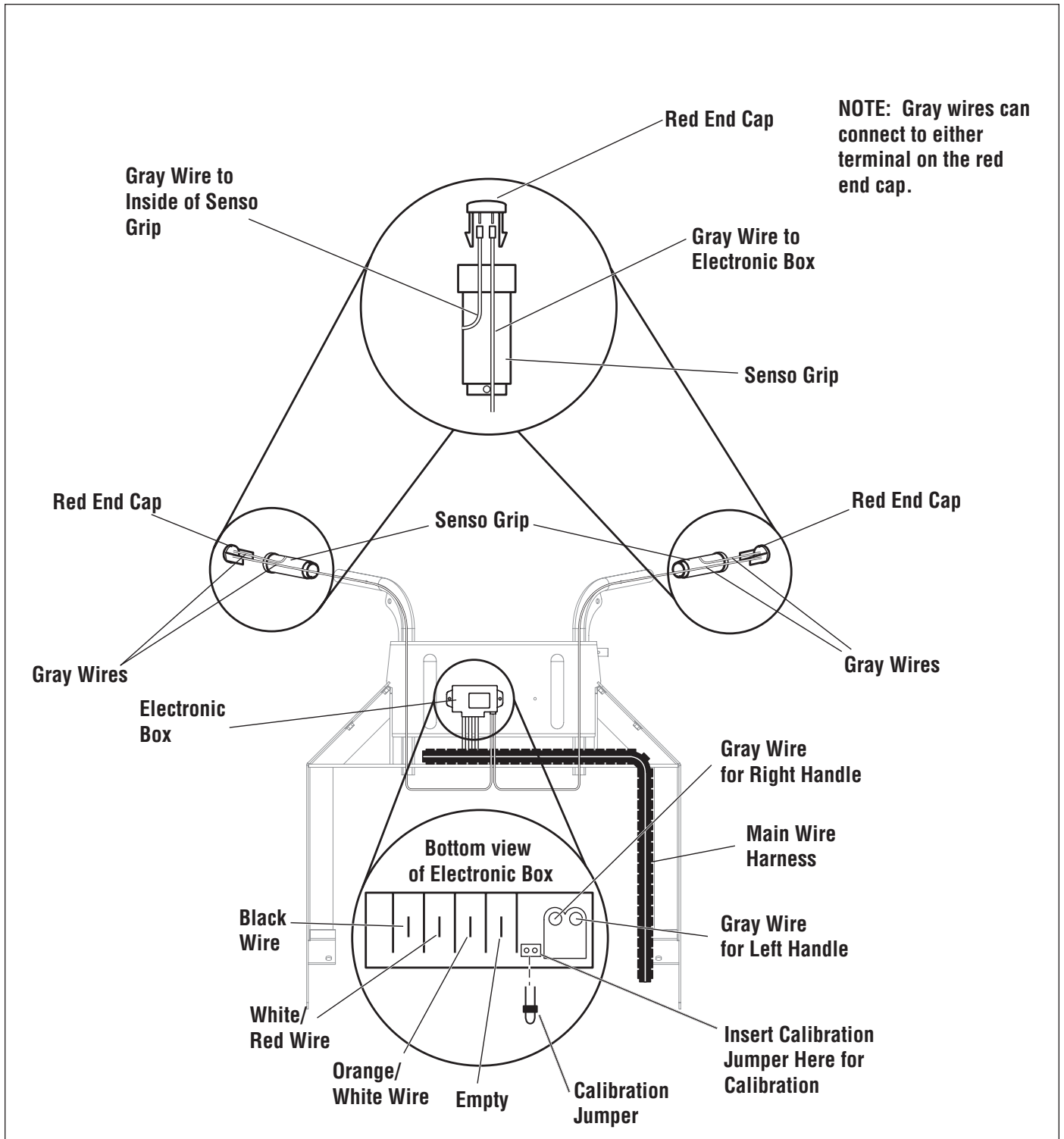


Figure 2. Wire Routing