

November 2001

TOPIC: MISSING COUNTERWEIGHTS

MODELS

AFFECTED: 1000ZKAV23/61 - serial no. 101-150

Ferris Industries has determined that the above listed serial number machines were not equipped with the necessary counterweights mounted inside the rear bumper.

To rectify this, install five (5) counterweights (47485) to the rear bumper. This will provide the proper front-to-rear weight ratio for better traction and control on hilly terrain.

Detailed instructions for installing the counterweights are included on page 2 of this Service Bulletin.

Please note, this is a mandatory fix.

1/2 hour labor will be paid per repair.



⚠ WARNING

Before beginning any service work turn off the PTO, set the parking brake, turn off the ignition, and disconnect the spark plug wire(s).

Installing the Counterweights

1. Remove and discard the (2) 3/8" bolts, washer & nuts that fasten the rear shield (A, Figure 1) to the bumper (B).
2. Install the 3/8-16 x 2-1/4" bolts (C) and 3/8" flat washers (D) through the bumper and rear shield.
3. Install the five counterweights (E) onto the new bolts (C) and secure with the 3/8-16 serrated flange nuts (F).

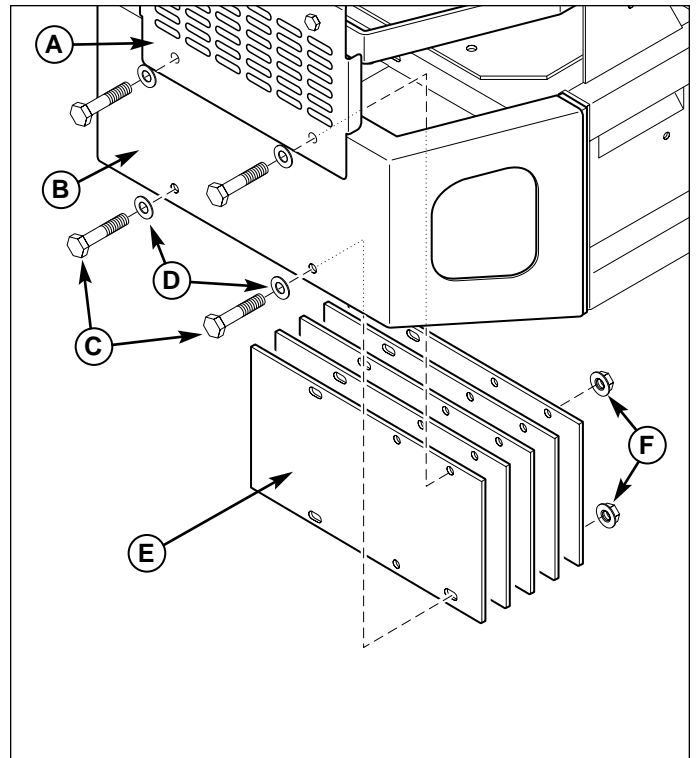


Figure 1. Install the Counterweights

- A. Shield
- B. Bumper
- C. 3/8-16 x 2-1/4" Bolts (4)
- D. 3/8" Flat Washers (4)
- E. Counterweights (5)
- F. 3/8-16 Serrated Flange Nuts (4)