

October 2002

### TOPIC: REVISED RADIATOR CLEANING PROCESS

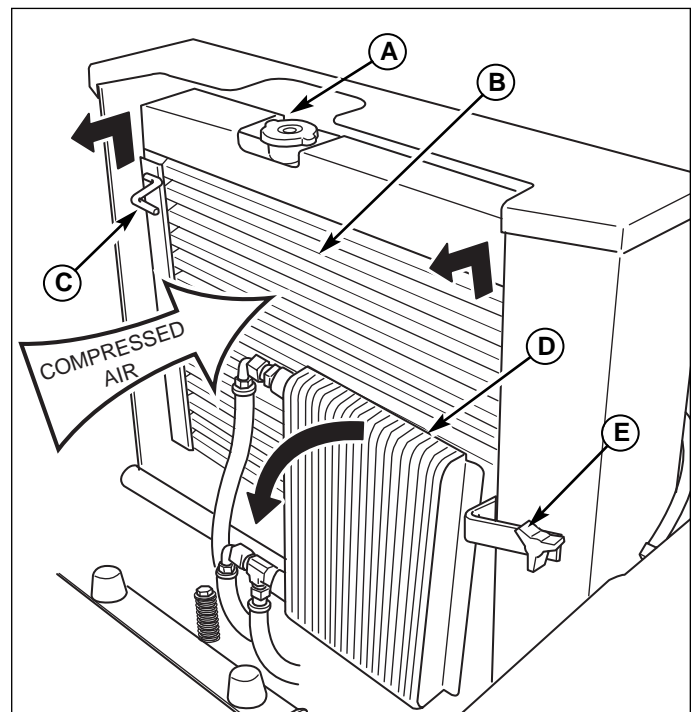
#### MODELS

AFFECTED: IS5000Z/C31D

Ferris Industries has developed a revised radiator cleaning process for effectively removing dust and debris from the radiator core.

#### Cleaning Instructions:

1. Start the engine. Refer to the operator's manual for proper starting procedure. Set the throttle control to SLOW.
2. Dismount the machine and raise the seat plate.
3. Remove the wing bolt (E) from the oil cooler mount and pivot the oil cooler (D) forward to access the radiator screen.
4. Lift the screen keeper handles (C) up and pull forward. Remove the radiator screen and flush with water or blow clean with air.
5. **Set the throttle control to FULL.**
6. Using 50-60 psi compressed air, blow through the radiator core in the direction shown in Figure 1. Once the core is clean, turn off the engine. Refer to the operator's manual for proper engine stopping procedure.
7. Clean all dirt, grass, and debris from the oil cooler fins.
8. Reinstall the radiator screen. Push the screen keeper handles back and down to retain the screen.
9. Pivot the oil cooler back and reinstall the wing bolt.



**Figure 1. Radiator Cleaning Procedure**

- A. Radiator Pressure Cap
- B. Radiator Screen
- C. Screen Keeper Handle (LH side hidden)
- D. Hydraulic Oil Cooler
- E. Wing Bolt

