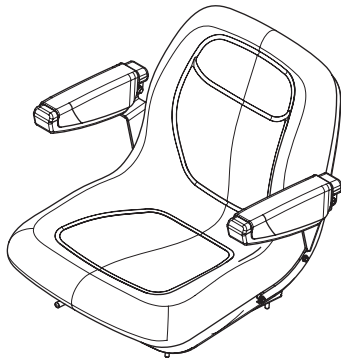




Replacement Parts Available for All Seats

Ferris has provided the following lists to help you identify the part numbers of available seat component replacement parts for seats used on Ferris branded products. These service parts are available through your normal parts source.

Seat Number: 5061599 - "Seat, XB-180, No Logo, Black"

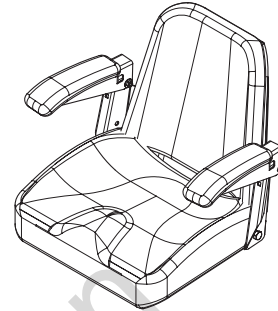


Seat Number: 5100909 - "Seat, No Arm Rest"



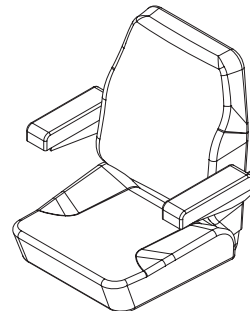
Part No.:	Description
1686907	Arm Rest Kit
5061599X1	Seat Adjuster Rails
5100652	Spring, Extension, Seat Adjustment, (Blk or Slvr)

Seat Number: 5022031 - "Gray Seat"



Part No.:	Description
5022031X2	Seat Bottom Cushion
5022031X4	Seat Back Cushion
5022185	Arm Rest Pad
5020930X3	Rails, Seat Adjuster (Set of 2)
5100636	Spring, Extension, Seat Adjustment (Yel or Blk)

Seat Number: 5022955 - "Seat, Deluxe, Gray, No Logo, Complete"

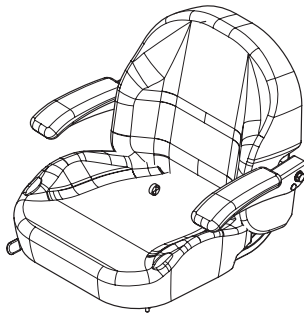


Part No.:	Description
5022955X1	Seat, Bottom Cover
5022955X2	Seat, Back Cover
5022955X3	Arm Rest Kit (Set of Two)
5022955X4	Arm Rest Pad (Set of Two)
5020930X3	Rails, Seat Adjuster (Set of Two)
5100636	Spring, Extension, Seat Adjustment (Yel or Blk)

**** You can find ALL of our Product Information Sheets on The Power Portal.**

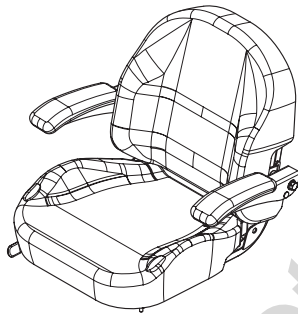
Product Information Notice # 63

Seat Number: 5103004 - "Black/Gray Seat, No Trim"



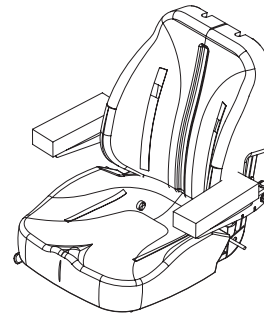
Part No.:	Description
5102760X2	Seat Cushion
5102760X1	Seat, Back Cover
5022185	Arm Rest Pad
5102760X3	Arm Rest Assembly (Set of 2)
5100636	Spring, Extension, Seat Adjustment (Yel or Blk)
5102760X4	Slide Rails

Seat Number: 5103354 - "Black/Gray Seat, Red Trim"



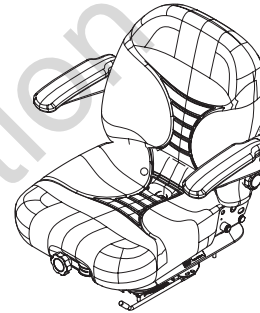
Part No.:	Description
5103354X2	Seat Cushion
5103354X1	Seat, Back Cover
5022185	Arm Rest Pad
5102760X3	Arm Rest Assembly (Set of 2)
5100636	Spring, Extension, Seat Adjustment (Yel or Blk)
5102760X4	Slide Rails

Seat Number: 5103372 - "Seat, IS3100 / IS5100"



Part No.:	Description
5103372X2	Seat, Cushion Cover
5103372X1	Seat, Back Cover
5103372X3	Arm Rest Assembly
5103372X4	Arm Rest Pad
5100636	Spring, Extension, Seat Adjustment (Yel or Blk)

Seat Number: 5101214 - "Suspension Seat"



Part No.:	Description
5101214X3	Seat Bottom Cushion
5101214X2	Seat Back Cushion
5101214X1	Arm Rest Kit (Set of 2)
5101214X4	Seat Adjuster Kit
5101223	Buckle, Seat Belt
5101226	Retractor, Seat Belt
5101214X5	Panel, Seat Back, Black
5101214X6	Knob, Suspension Seat, Michigan